

1 Exterior

I. Front Elevation

II. Side Elevation

POWER CORD LENGTH
177.2 In.(4,500mm)
From Back of Unit

III. Plan View

IV. ISO View

Default Weight : 1,115.54 lbs (506 Kg) , Cassettes full with note : 1,153.0 lbs (523.0Kg)

2 Access For Device

Device	Height (from base of ATM)	Depth (from front of bezel)	Distance from No.5 Key <3D Distance>	Clock Face Position (Relative to No.5key)
A	Encrypting PIN Pad 34.3inch [872.5mm]	5.4inch [137.2mm]	0	0
B	Check Scan Module 39.6inch [1006.7mm]	4.3inch [108.0mm]	5.4inch [137.6mm]	12
C	NFC 32.7inch [829.6mm]	2.3inch [57.7mm]	3.6inch [90.9mm]	6
D	Earphone Jack 29.1inch [739.6mm]	0.2inch [4.6mm]	7.4inch [188.1mm]	6
E	Bill Recycling Module 32.6inch [829.1mm]	6.0inch [152.1mm]	7.1inch [181.5mm]	9
F	Barcode 35.7inch [905.6mm]	7.4inch [187.9mm]	10.9inch [276.7mm]	9
G	Receipt Printer 39.2inch [995.2mm]	4.6inch [116.3mm]	12.0inch [305.7mm]	10
H	Card Reader 39.4inch [1000.3mm]	4.5inch [113.9mm]	7.5inch [189.9mm]	10
I	Palm Vein 44.7inch [1135.3mm]	6.1inch [155.0mm]	13.7inch [347.2mm]	1
J	ID Scanner 37.0inch [940.1mm]	5.5inch [139.4mm]	9.2inch [233.4mm]	2
K	ADA height 48.0inch [1220.0mm]	6.8inch [172.7mm]	15.1inch [383.5mm]	11
L	Screen Top 60.0inch [1525.2mm]	11.4inch [289.9mm]	27.1inch [688.8mm]	11
M	Screen Bottom 42.5inch [1078.7mm]	4.7inch [118.5mm]	10.3inch [260.7mm]	11

3 Service Area

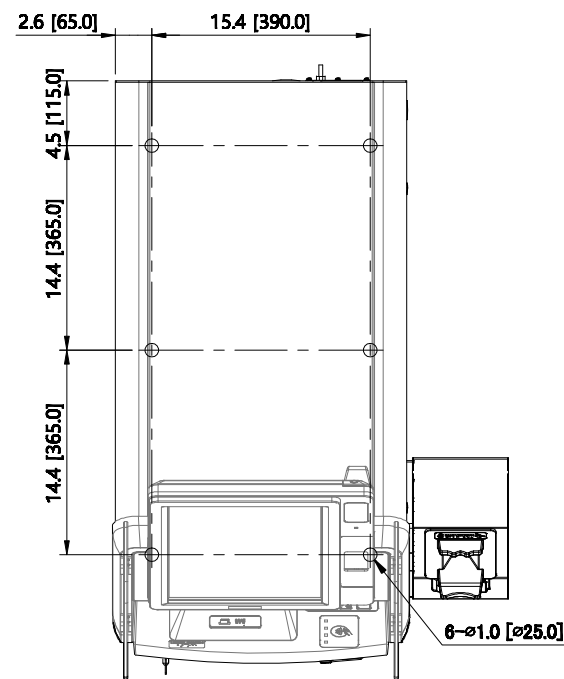
I. Minimum Installation

II. Recommended Installation

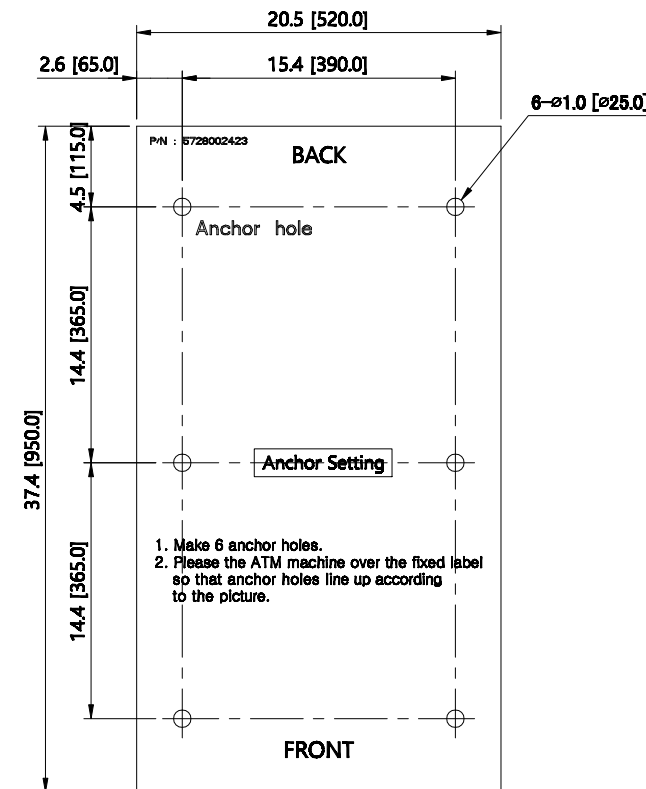
III. Side Elevation

4 Installation Frame

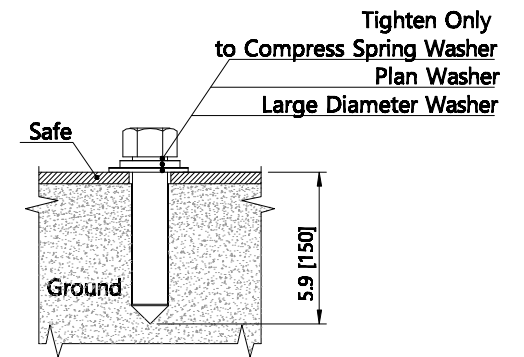
I. Bottom of ATM



II. Anchor Point



III. Anchor Detail



Bolts

- Type-either resin anchor or shield anchor bolts
- Size-5/8 in.(M16)
- Minimum Length-5.9 in.(150mm)
- Strength-high tensile(minimum ISO property class 8.8)

Washers

- Type-flat,steel(as per DIN7349 or equivalent)
- Size-5/8 in.(M16)
- Outer diameter-no greater than 1.58 in.(40mm)
- Minimum thickness-0.2in.(6mm)

5 Power Requirements

I. The power for the site

- 100~127Vac(±10%), Max 10A at 50/60(±3)Hz, Single-phase

II. Power Consumption

- Idle : 176W
- Transaction (Max) : 383W

III. Thermal Output

- Idle : 600.9 BTU/hr
- Transaction (Max) : 1,307.7 BTU/hr

IV. Environmental Conditions:

- Temperature: 32°F - 104°F (0°C ~ 40°C)
- Humidity 25% - 85%

"Note 1: "MX8200QTN ATM must have a dedicated 20A service"

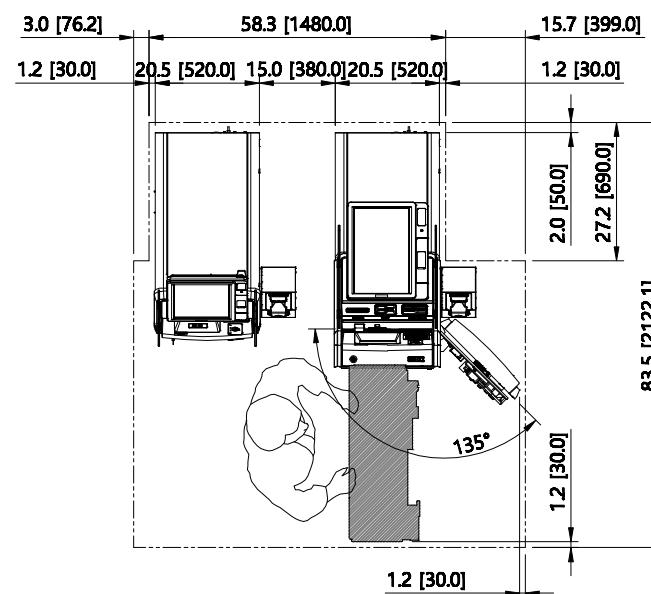
The power use depends on the number and type of devices present in the recycler/dispenser and the type of transaction the recycler/dispenser is performing

6 Ethernet Standard Cable

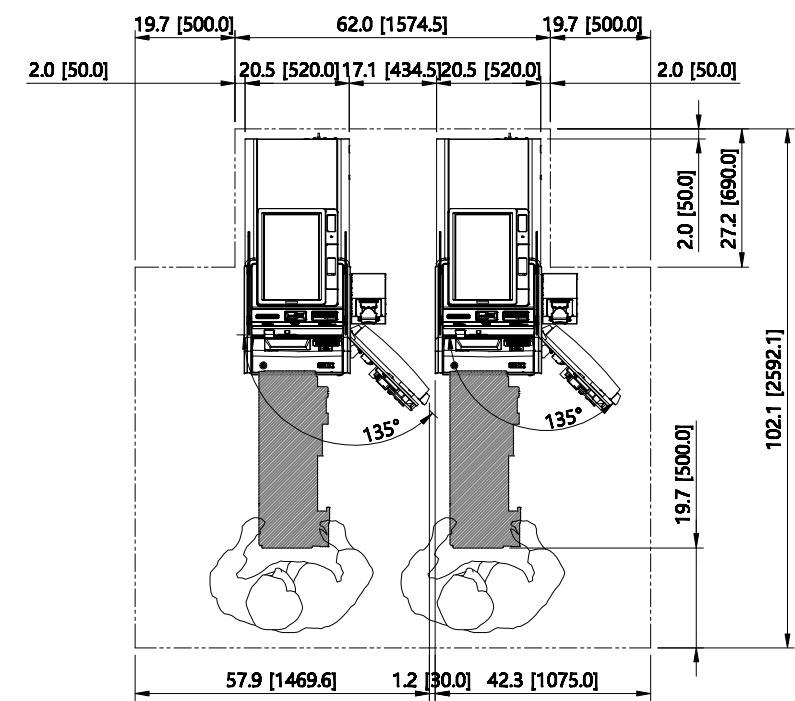
- I. The ethernet standard cable must be fully shielded, 8 pin, category 6 compliant and must not exceed 97m (318.20ft) in length.

7 Side by Side installation

I. Minimum Side by Side Installation



II. Recommended Side by Side Installation



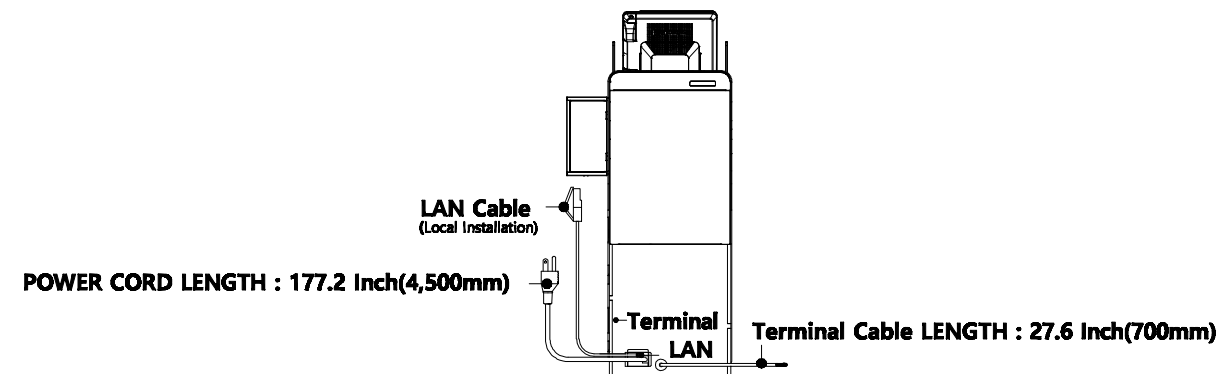
1 Installation Guide

PHYSICAL SECURITY

THE SECURITY SAFE MEETS THE ATTACK TEST PER UL 291. THE SAFE DOOR HAS A POSITIVE RELOCKING FEATURE. THE SAFE DOOR SHOULD BE CONTROLLED BY A MINIMUM OF A GROUP 2M UL LISTED COMBINATION LOCK WITH OR WITHOUT KEYLOCKING DIAL CAPABILITY OR OPTIONAL ELECTRONIC LOCK.

ALARM PROTECTION

THE UL-LISTED SAFE IS EQUIPPED WITH A BASIC ALARM SENSOR. IT IS INCLUDED SAFE DOOR OPEN SWITCH, BASIC ALARM & HEAT SENSOR. IF INSTALL SHUNTING LOCK WITH SAFE DOOR, IT IS AVAILABLE SHUNTING ALARM SWITCH .



2 Remark