

HYOSUNG TNS INC.

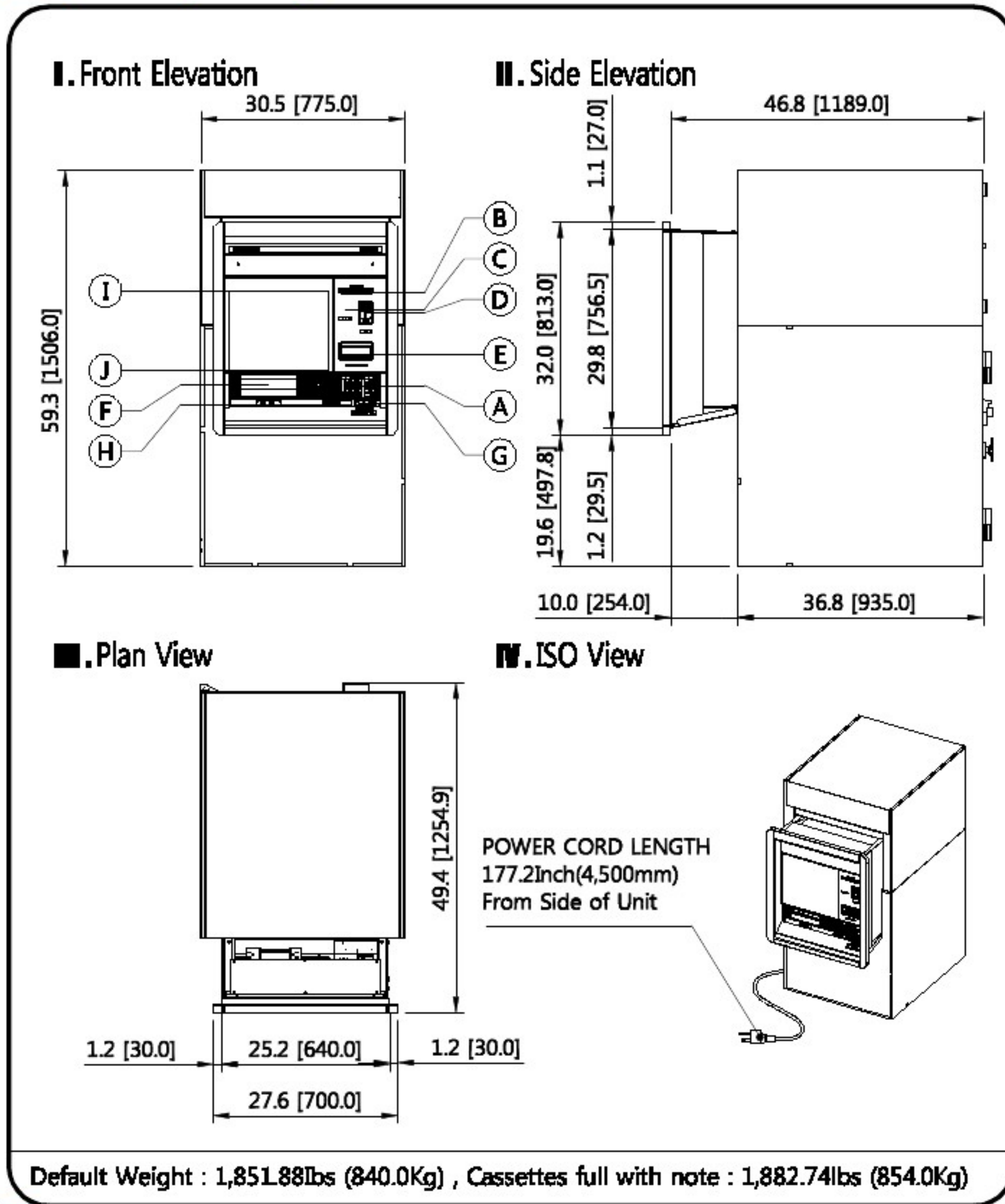
MX8300D

HYOSUNG TNS INC. MX8300D

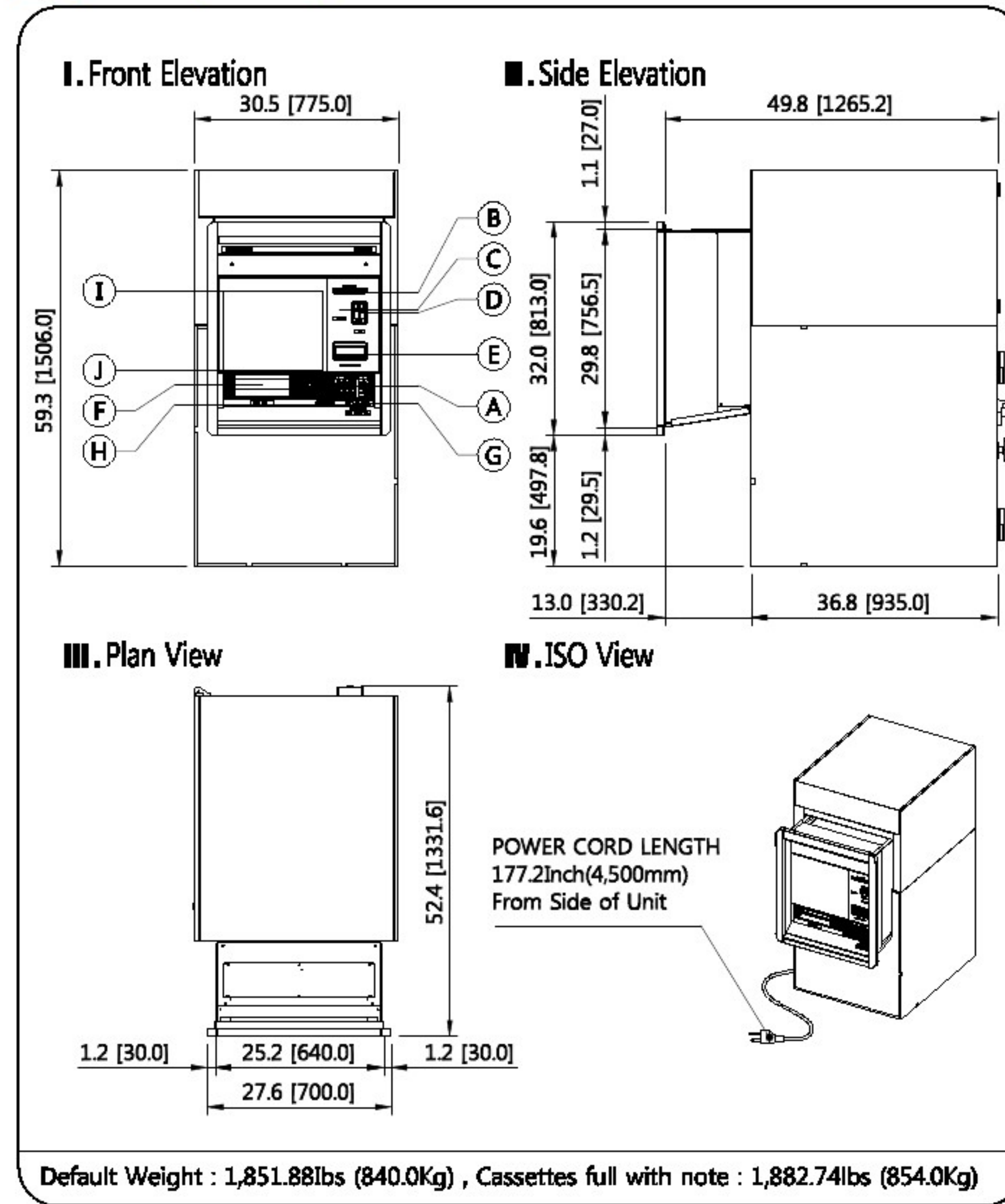
1 Index

1. MX8300D_CDU_LEVEL I(4CST)	1
2. MX8300D_CDU_LEVEL I(5CST)	4
3. MX8300D_CDU_CEN I	7
4. MX8300D_BRM_LEVEL I	10
5. MX8300D_BRM_CEN I	13

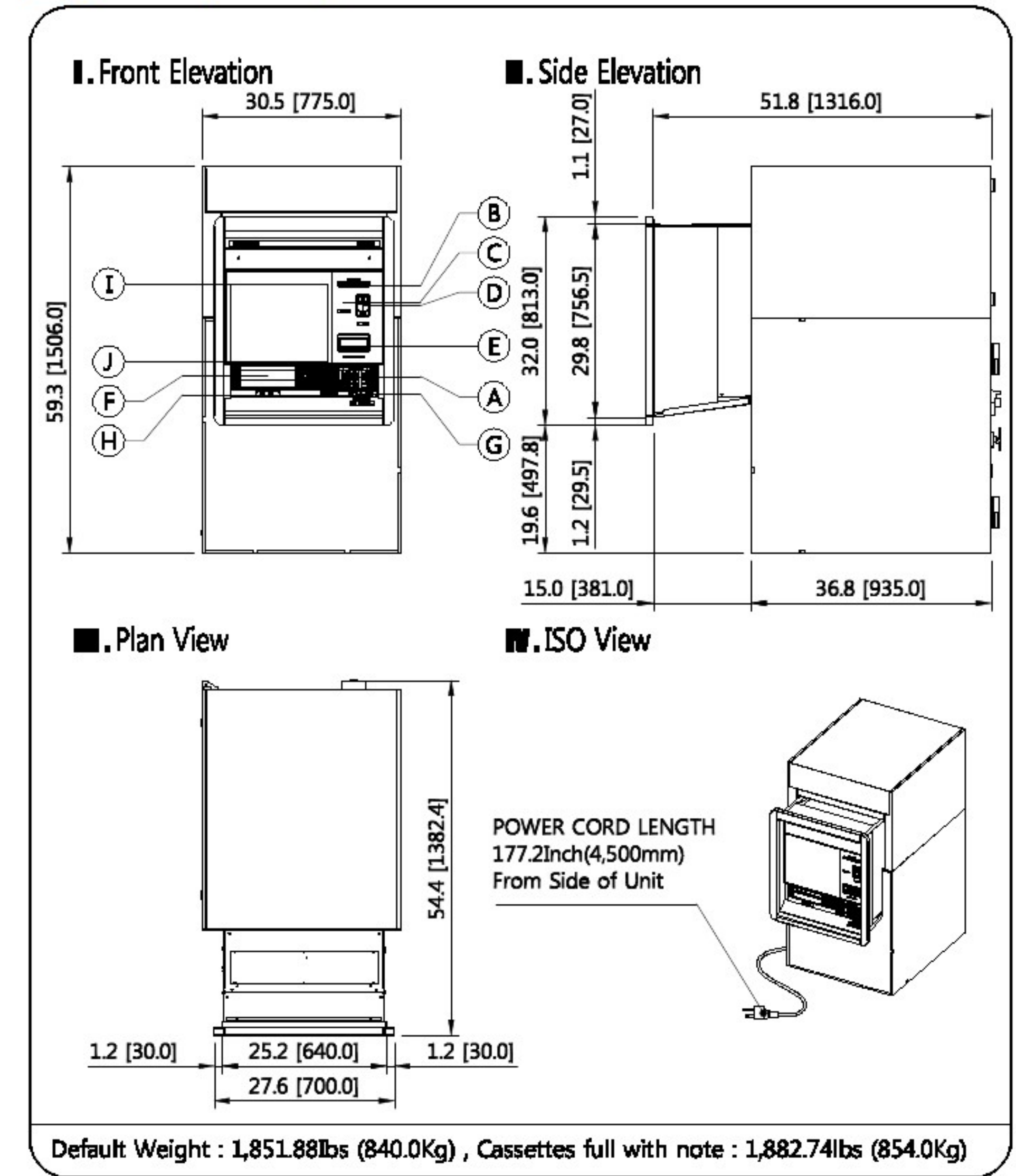
1 Exterior (10" Wall)



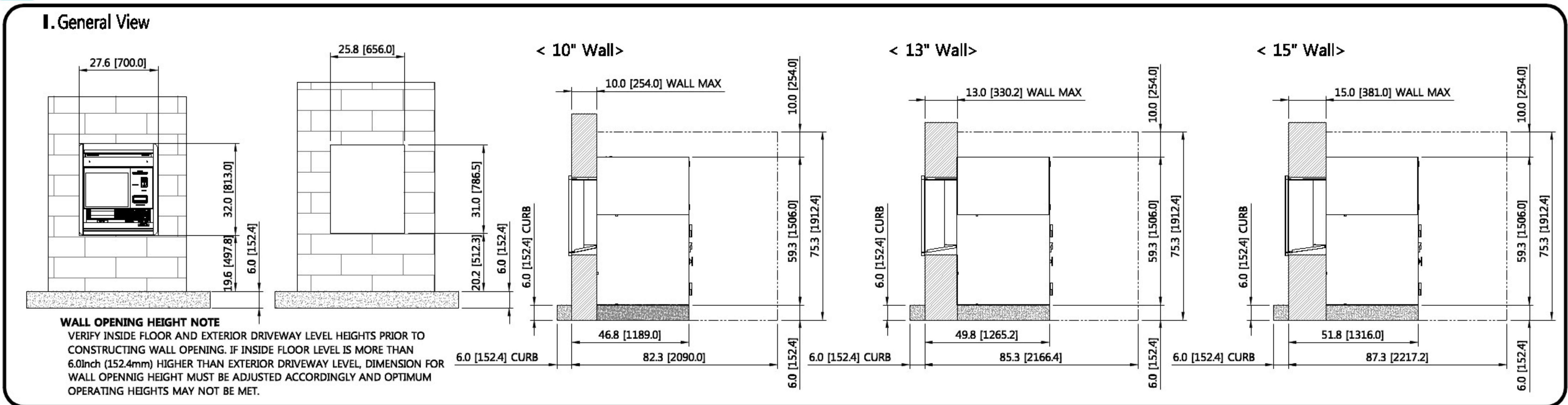
2 Exterior (13" Wall)



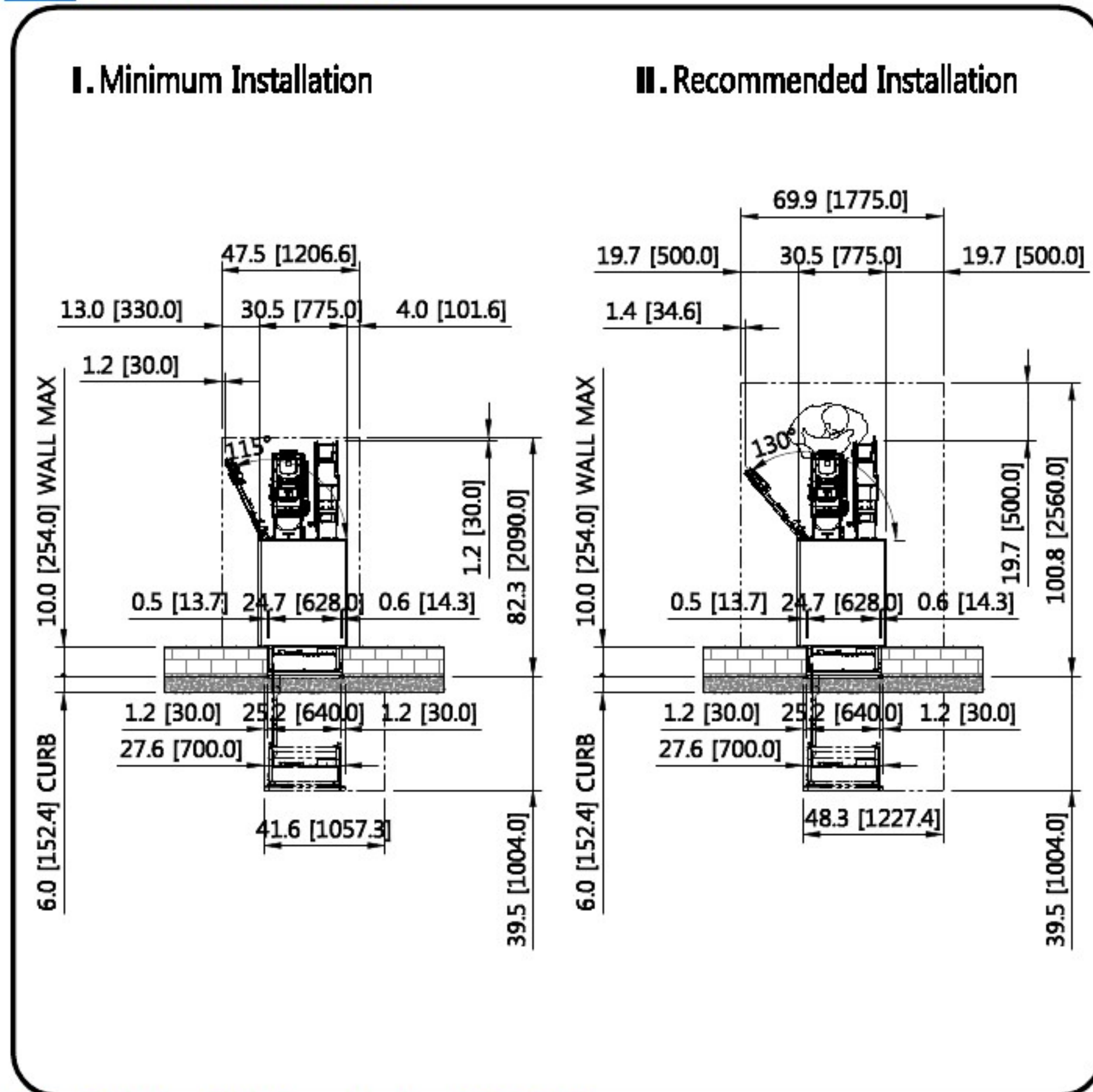
3 Exterior (15" Wall)



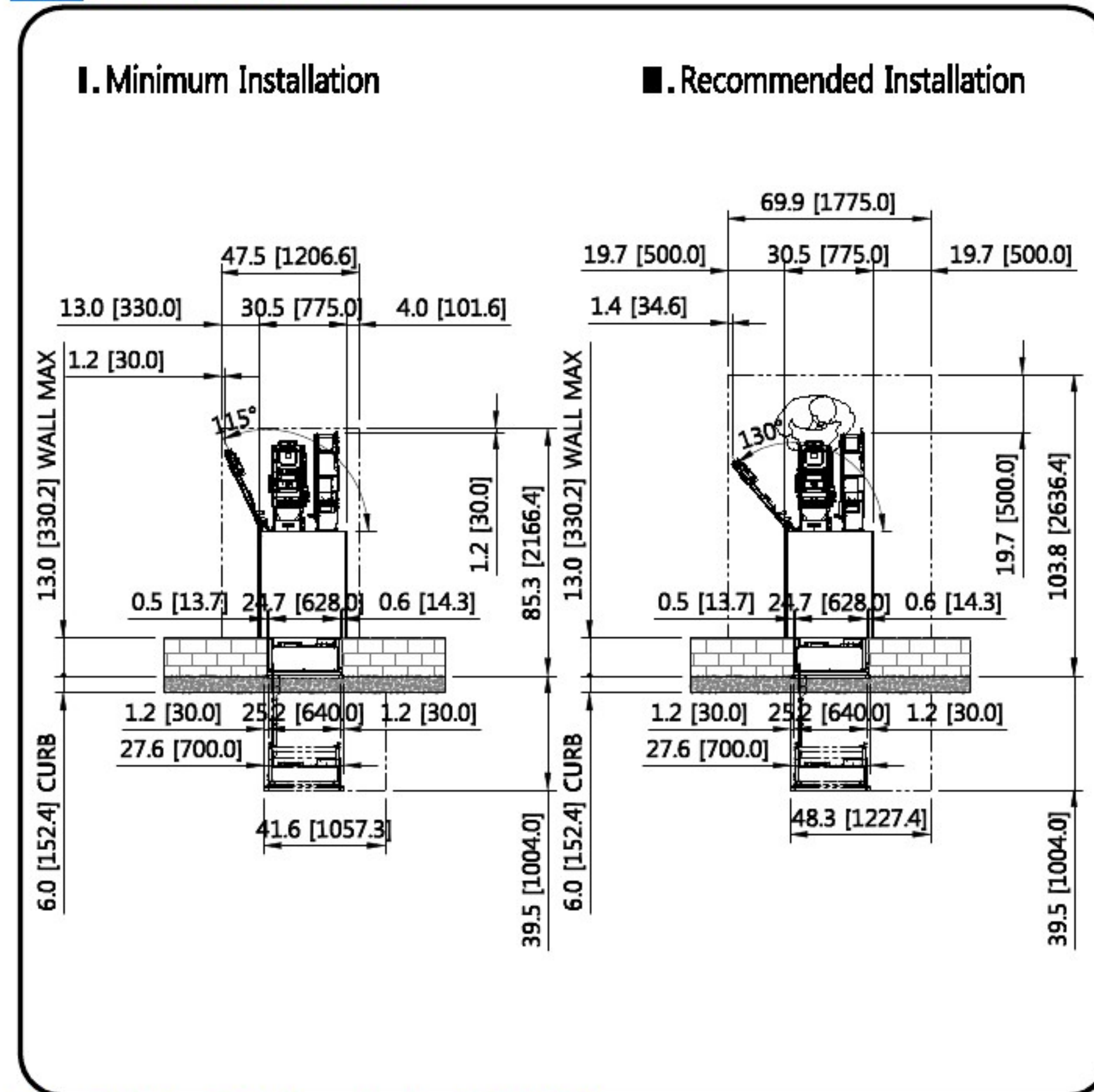
4 Service Area



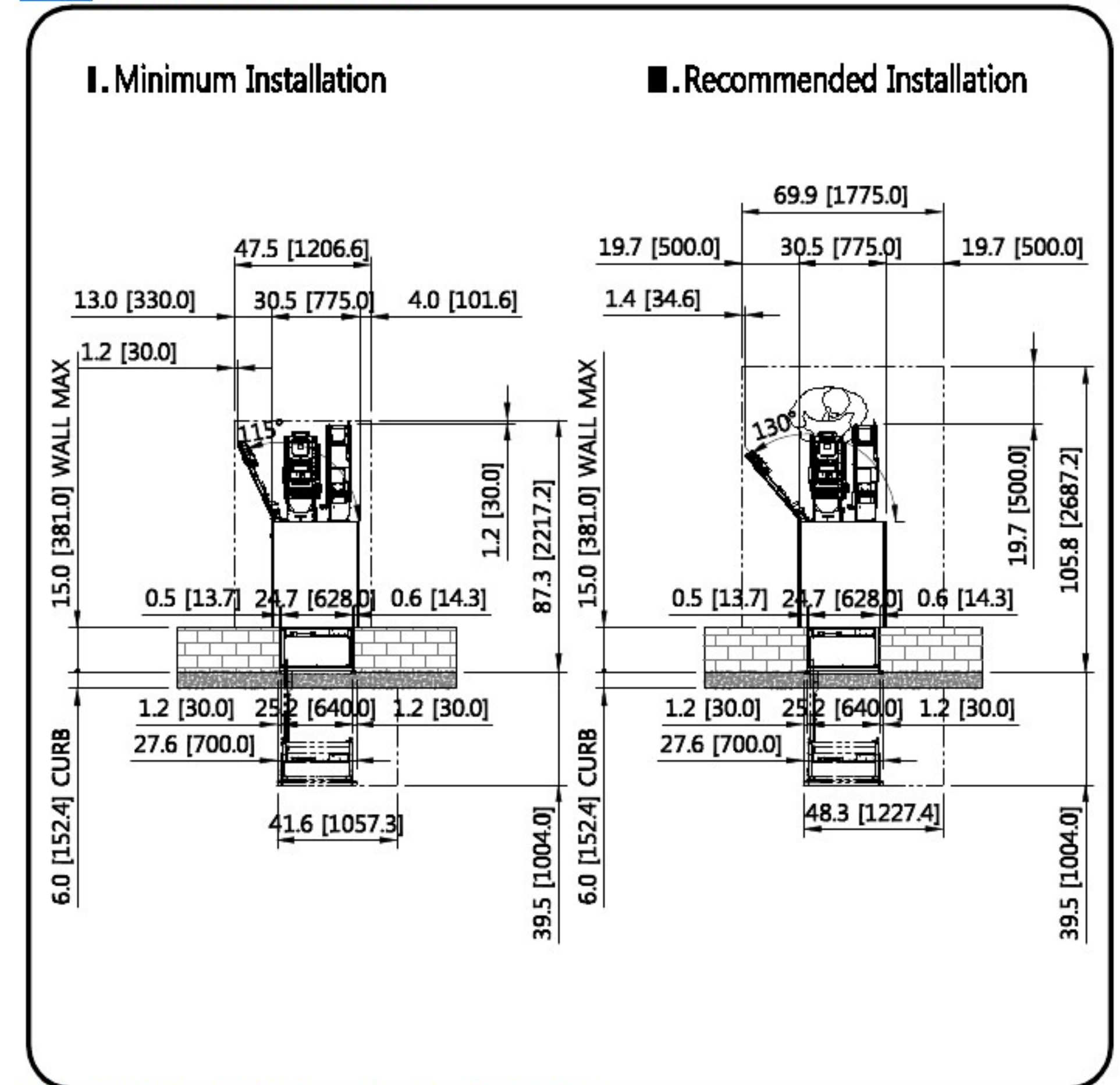
5 Installation (10" Wall)



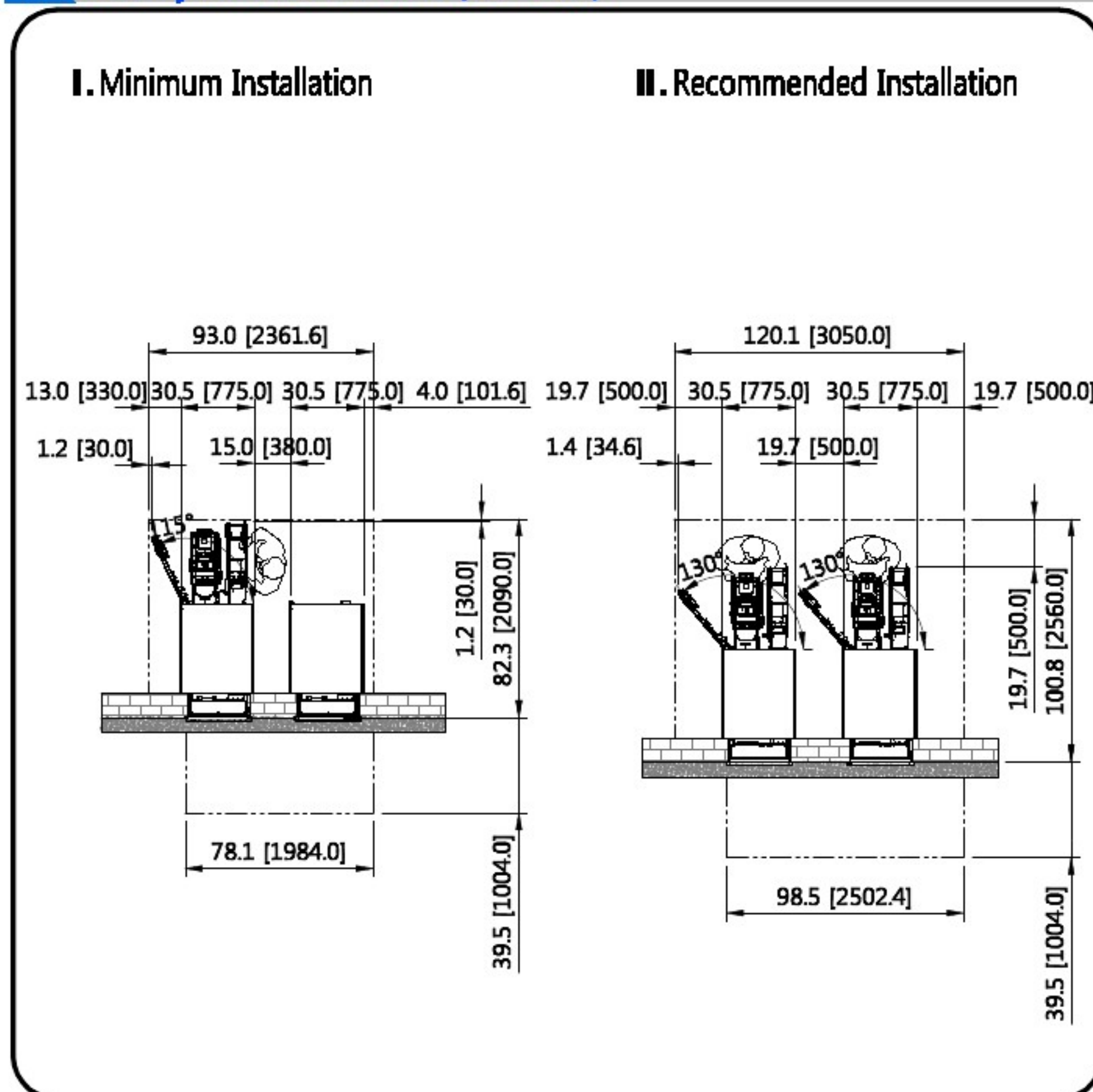
6 Installation (13" Wall)



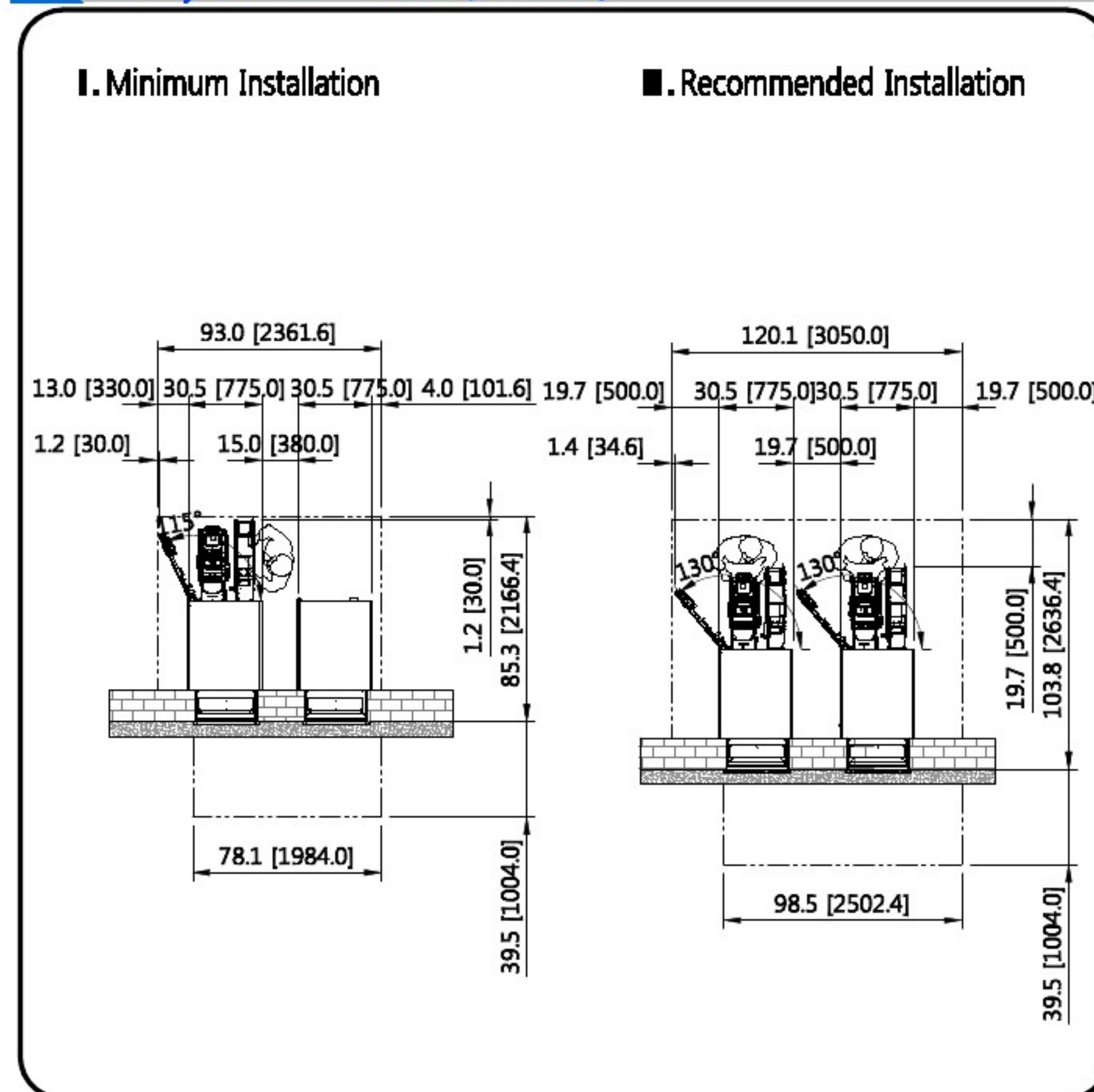
7 Installation (15" Wall)



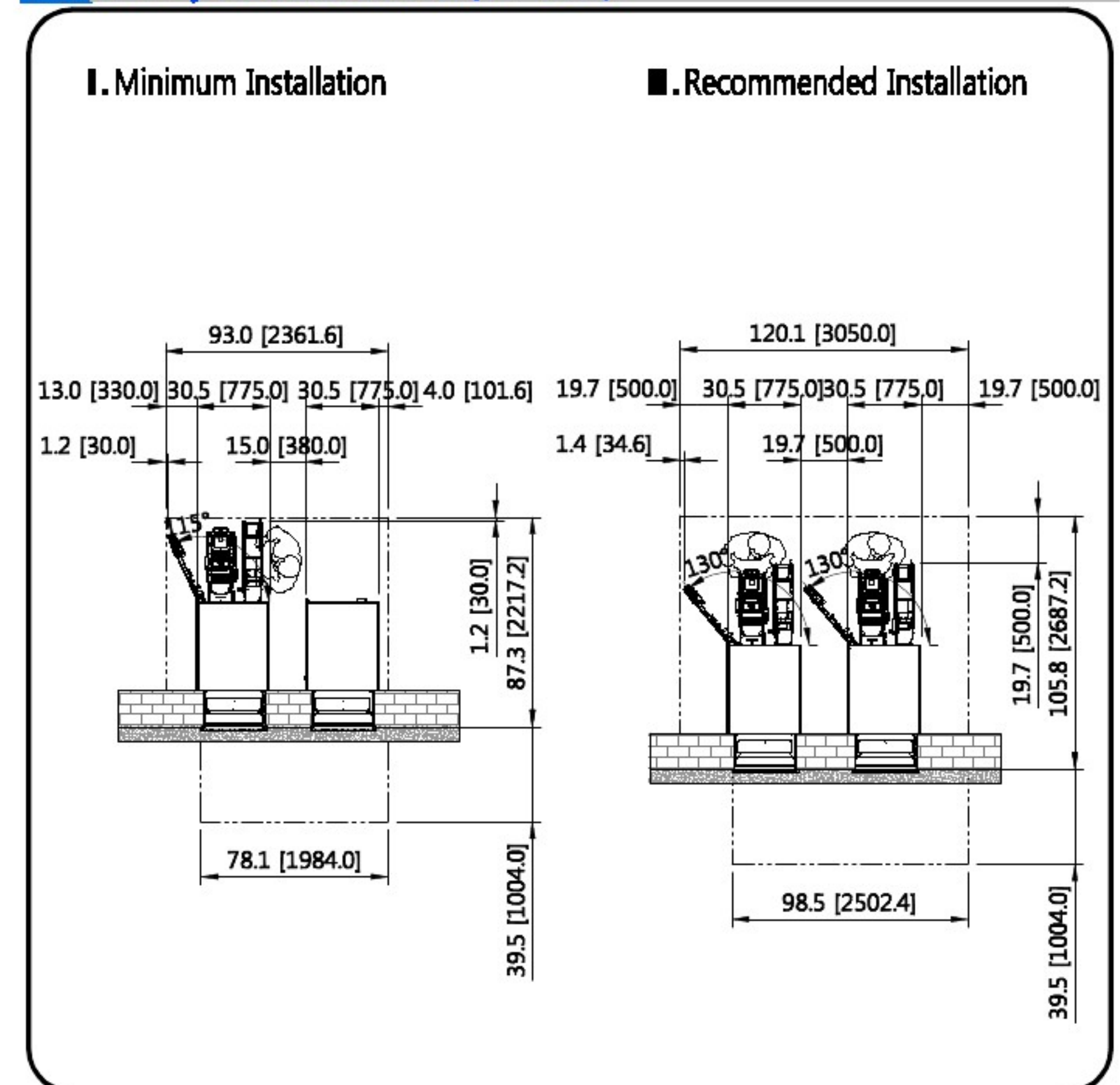
8 Side by Side installation (10" Wall)



9 Side by Side installation (13" Wall)

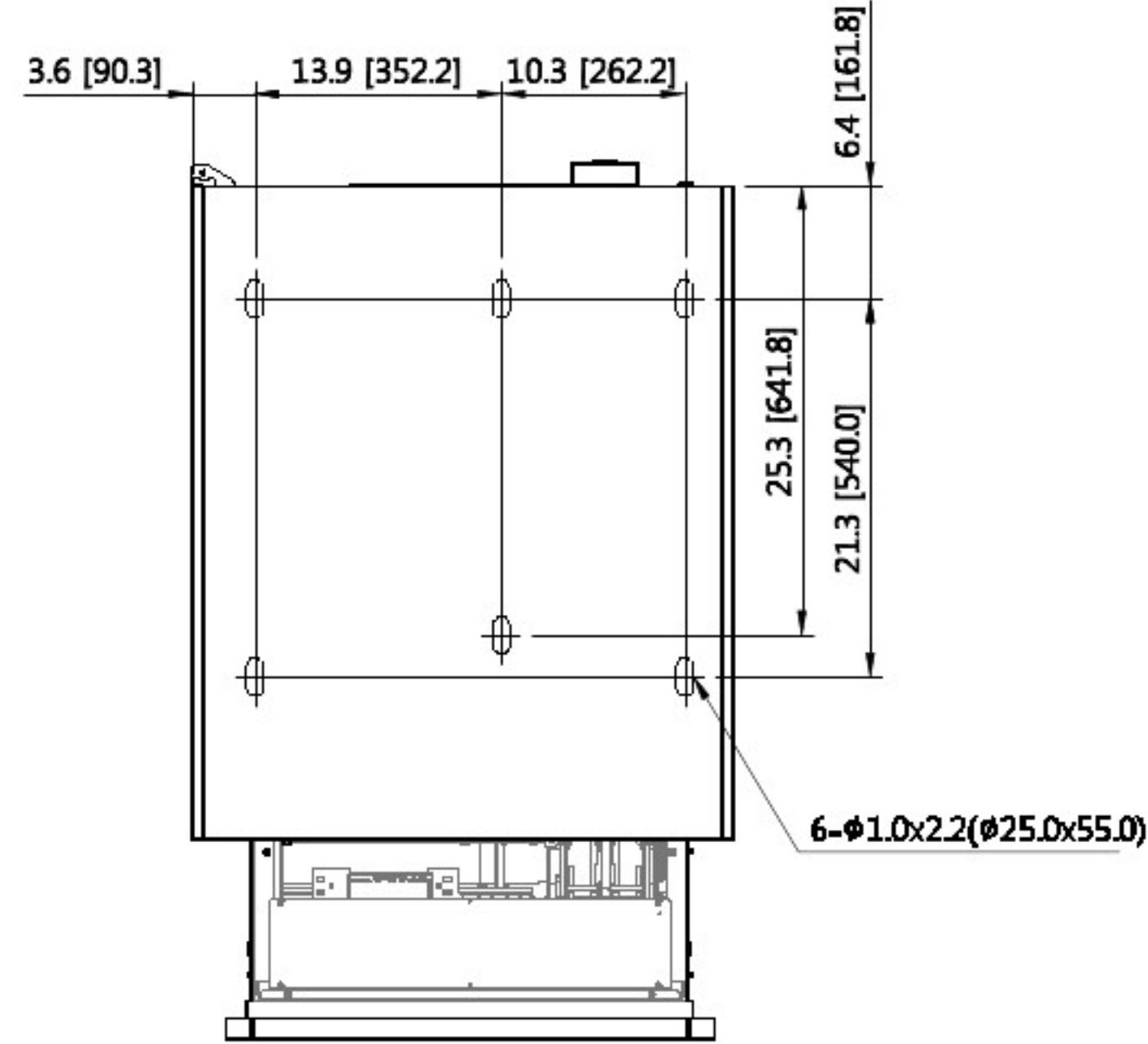


10 Side by Side installation (15" Wall)

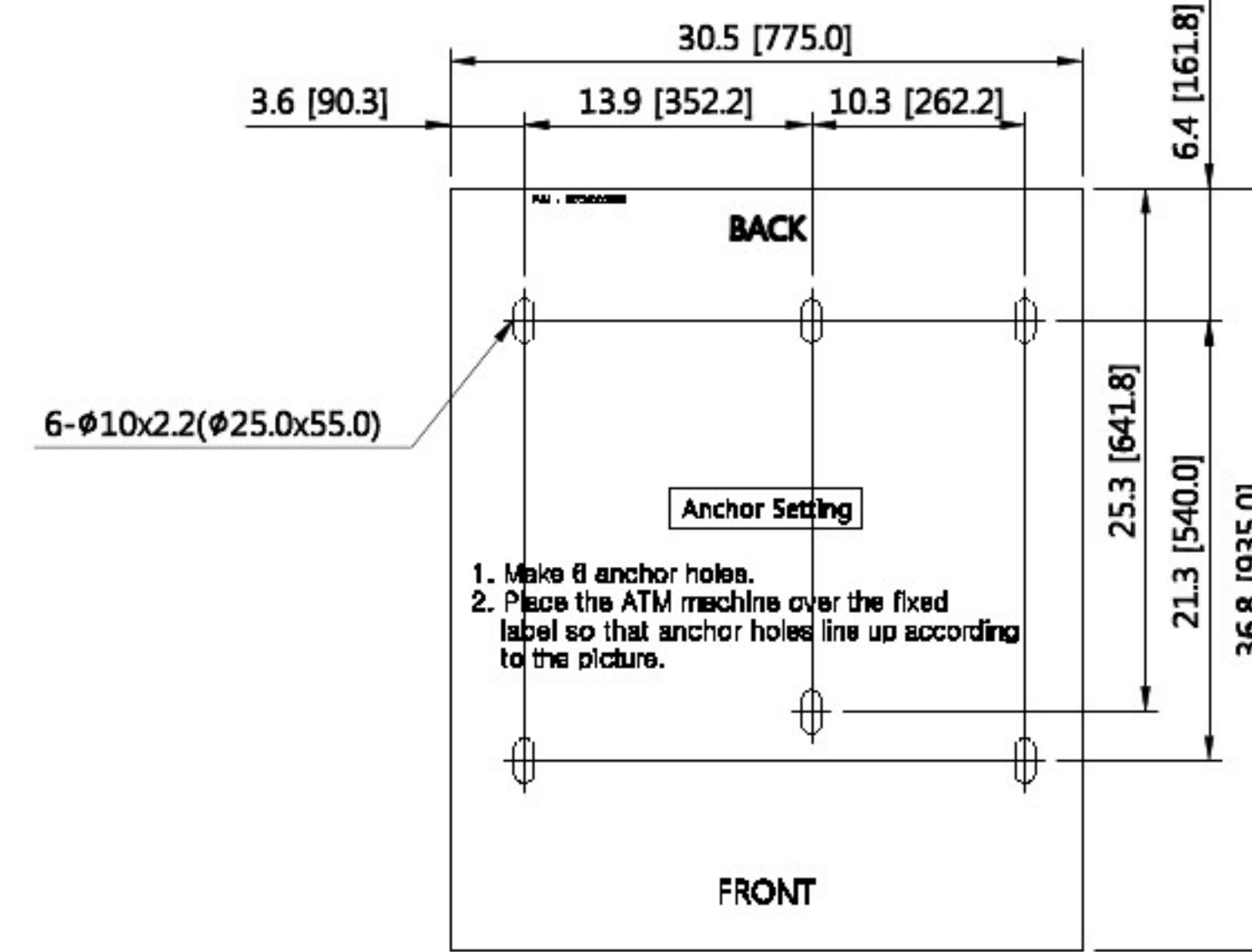


11 Installation Frame

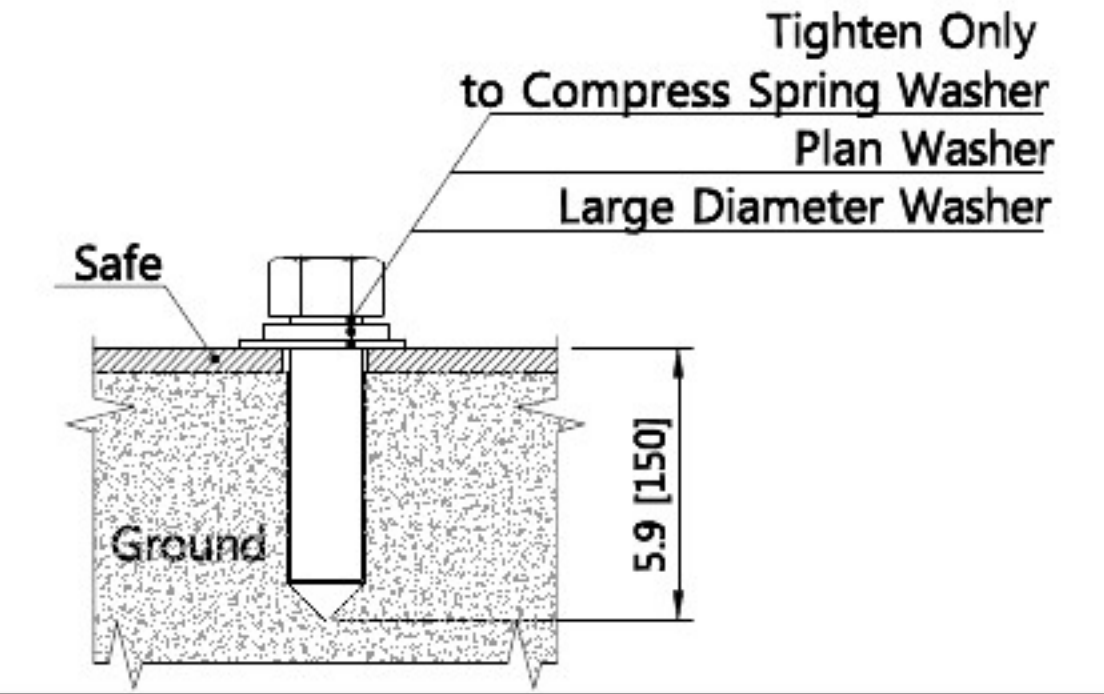
I. Bottom of ATM



II. Anchor Point



III. Anchor Detail



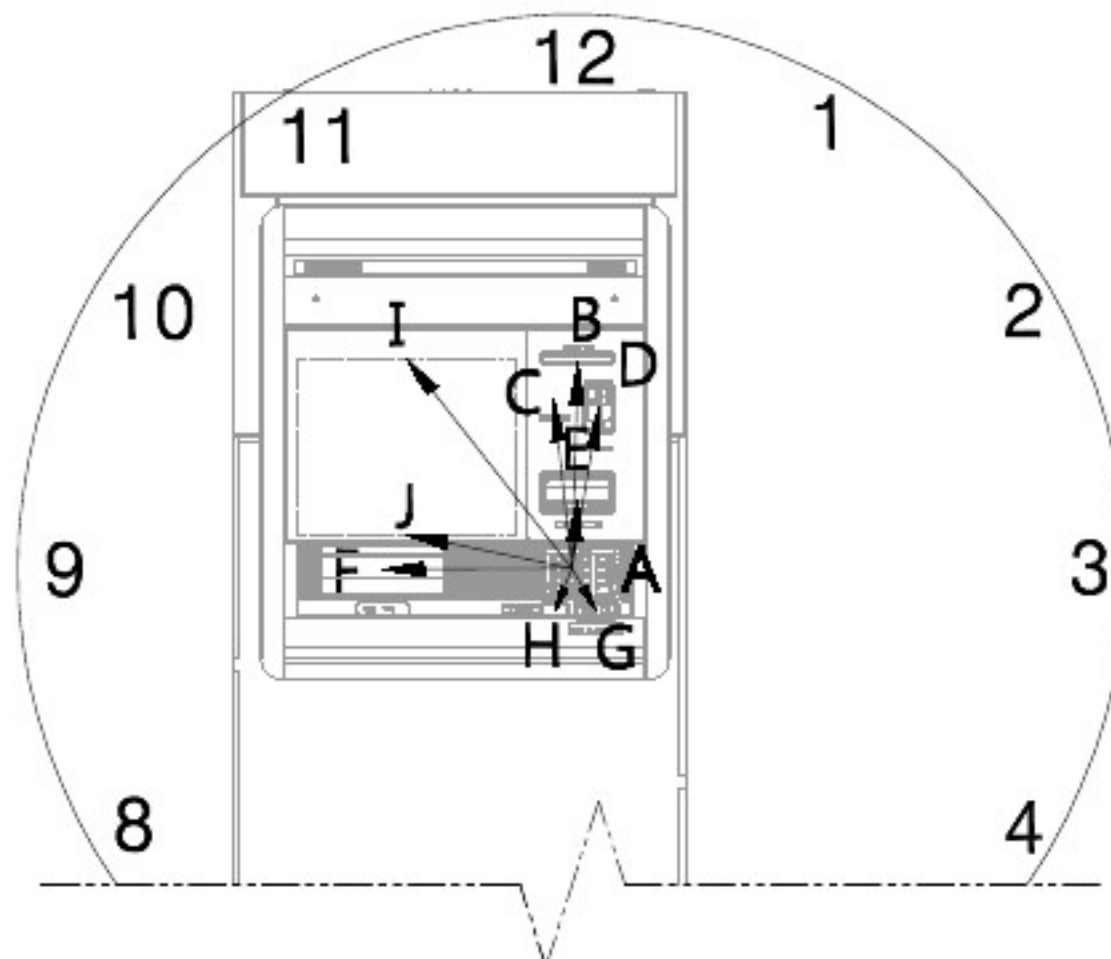
Bolts

- Type-either resin anchor or shield anchor bolts
- Size-5/8 in.(M16)
- Minimum Length-5.9 in.(150mm)
- Strength-high tensile(minimum ISO property class 8.8)

Washers

- Type-flat,steel(as per DIN7349 or equivalent)
- Size-5/8 in.(M16)
- Outer diameter-no greater than 1.58 in.(40mm)
- Minimum thickness-0.2in.(6mm)

12 Access For Device



Device	Height (from base of ATM)	Depth(wall 10") (from front of ATM)	Depth(wall 13") (from front of ATM)	Depth(wall 15") (from front of ATM)	Distance from No.5 Key <3D Distance>	Clock Face Position (Relative to No.5Key)
A	Encrypting PIN Pad 27.1inch [689.1mm]	3.7inch [95.2mm]	6.7inch [171.4mm]	8.7inch [222.2mm]	0	0
B	Receipt Printer 41.0inch [1040.4mm]	3.8inch [95.4mm]	6.8inch [171.6mm]	8.8inch [222.4mm]	13.8inch [351.4mm]	12
C	NFC 38.5inch [978.7mm]	2.5inch [64.8mm]	5.5inch [141.0mm]	7.5inch [191.8mm]	11.5inch [291.2mm]	12
D	Card Reader 38.0inch [964.8mm]	3.3inch [84.0mm]	6.3inch [160.2mm]	8.3inch [211.0mm]	11.1inch [281.5mm]	12
E	Cash/Check Insert Module 31.8inch [807.9mm]	3.9inch [98.7mm]	6.9inch [174.9mm]	8.9inch [225.7mm]	4.7inch [120.0mm]	12
F	Cash Dispenser 27.2inch [691.6mm]	4.5inch [113.4mm]	7.5inch [189.8mm]	9.5inch [240.4mm]	12.8inch [323.9mm]	9
G	Earphone Jack 24.4inch [619.7mm]	3.9inch [98.8mm]	6.9inch [175.0mm]	8.9inch [225.8mm]	3.2inch [80.5mm]	5
H	BARCODE 24.3inch [617.5mm]	4.0inch [101.1mm]	7.0inch [177.3mm]	9.0inch [228.1mm]	3.1inch [77.6mm]	9
I	Screen Top 41.3inch [1049.0mm]	3.9inch [99.7mm]	6.9inch [175.9mm]	8.9inch [226.7mm]	18.0inch [458.1mm]	11
J	Screen Bottom 29.4inch [746.9mm]	3.9inch [99.7mm]	6.9inch [175.9mm]	8.9inch [226.7mm]	11.4inch [289.3mm]	9

13 Power Requirements

I. The power for the site

- 100~127Vac(±10%), at 50/60(±3)Hz, Single-phase

II. Power Consumption

- Idle
HEATER OFF : 204 W
HEATER ON : 496 W
- Transaction (Max)
HEATER OFF : 346 W
HEATER ON : 610 W

III. Thermal Output

- Idle
HEATER OFF : 696.1 BTU/hr
HEATER ON : 1692.4 BTU/hr
- Transaction (Max)
HEATER OFF : 1180.6 BTU/hr
HEATER ON : 2081.4 BTU/hr

IV. Environmental Conditions:

- Temperature: 32°F - 104°F (0°C ~ 40°C)
- Humidity 25% - 85%

"Note 1: MX8300D ATM must have a dedicated 20A service"

The power use depends on the number and type of devices present in the recycler/dispenser and the type of transaction the recycler/dispenser is performing

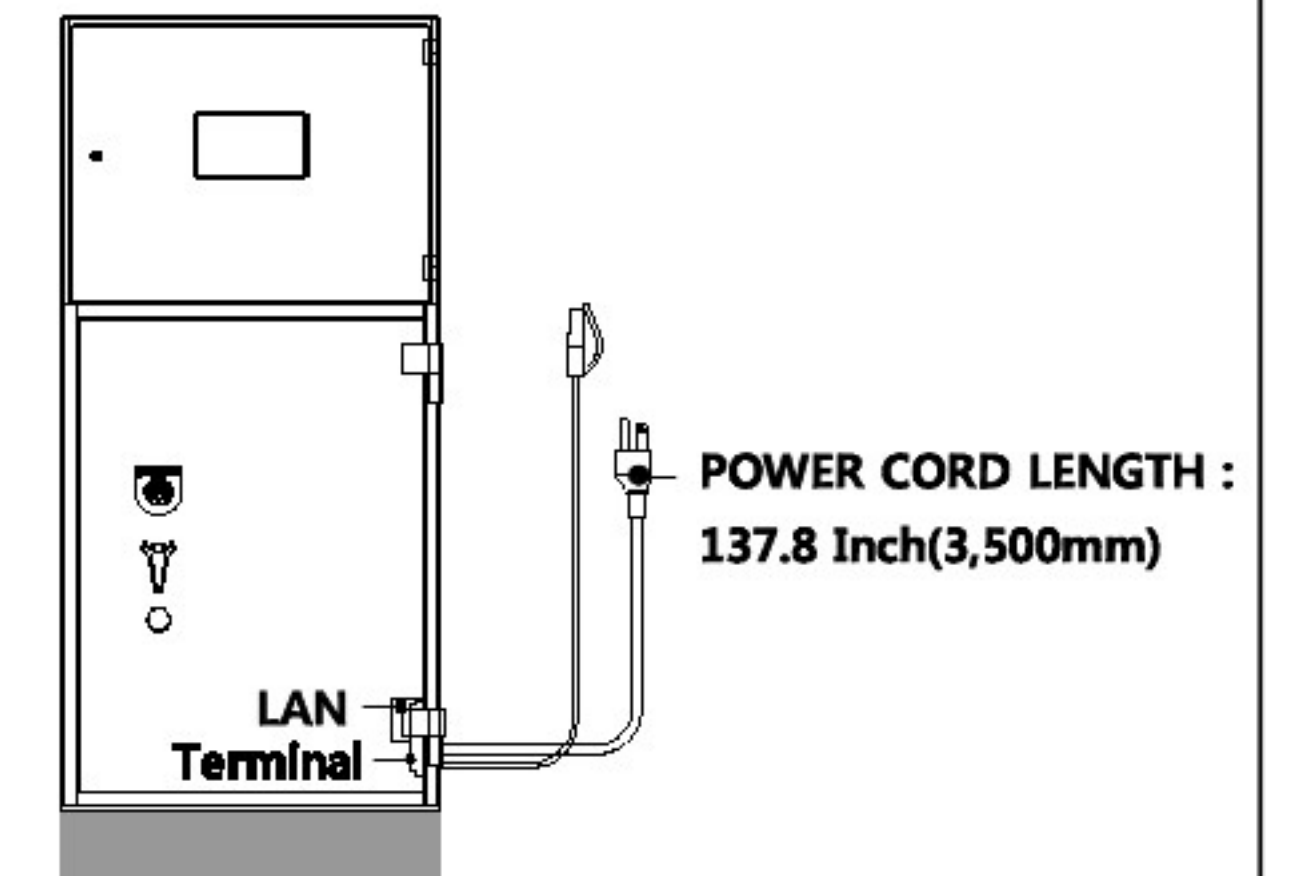
14 Installation Guide

PHYSICAL SECURITY

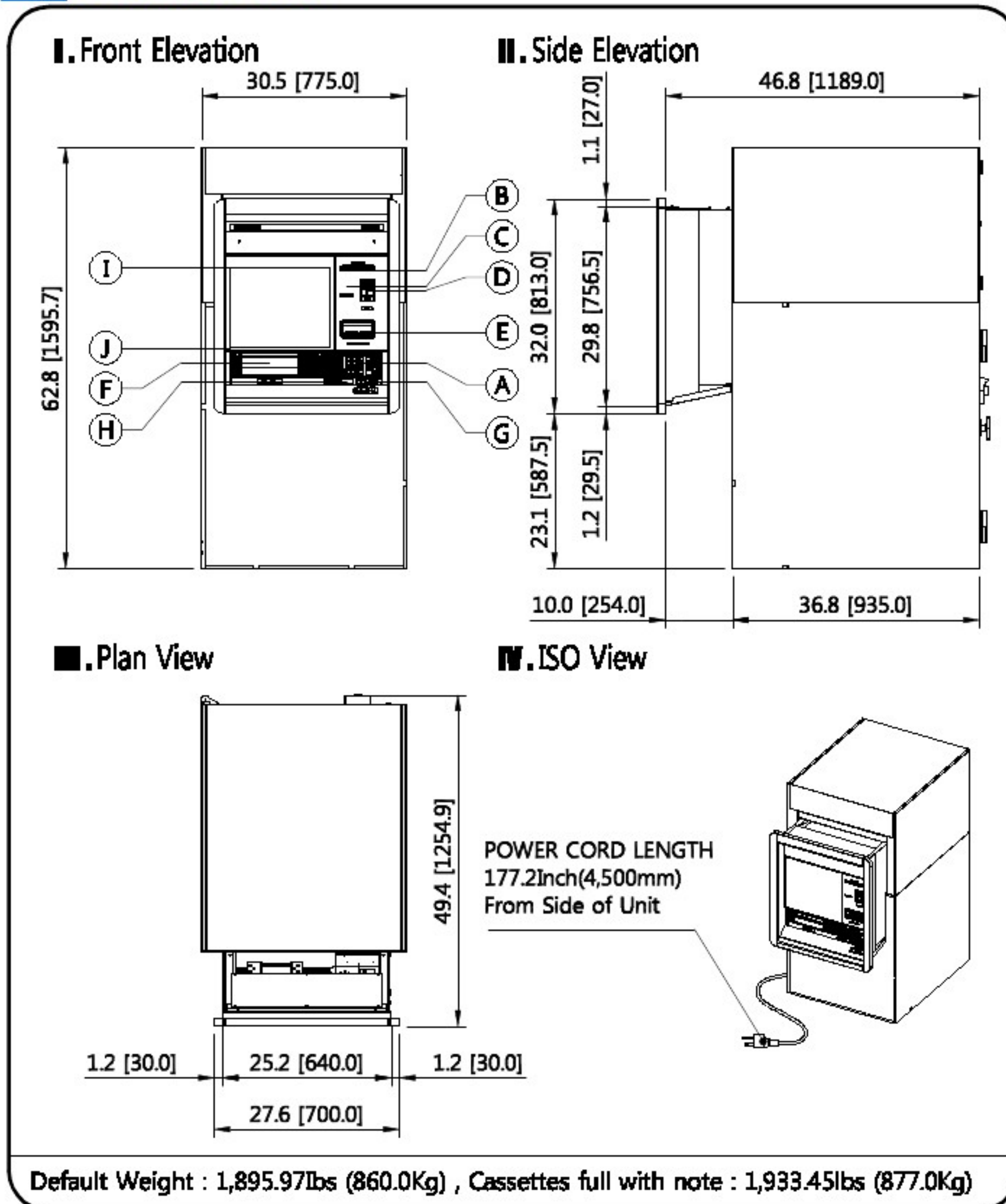
THE SECURITY SAFE MEETS THE ATTACK TEST PER UL 291. THE SAFE DOOR HAS A POSITIVE RELOCKING FEATURE. THE SAFE DOOR SHOULD BE CONTROLLED BY A MINIMUM OF A GROUP 2M UL LISTED COMBINATION LOCK WITH OR WITHOUT KEYLOCKING DIAL CAPABILITY OR OPTIONAL ELECTRONIC LOCK.

ALARM PROTECTION

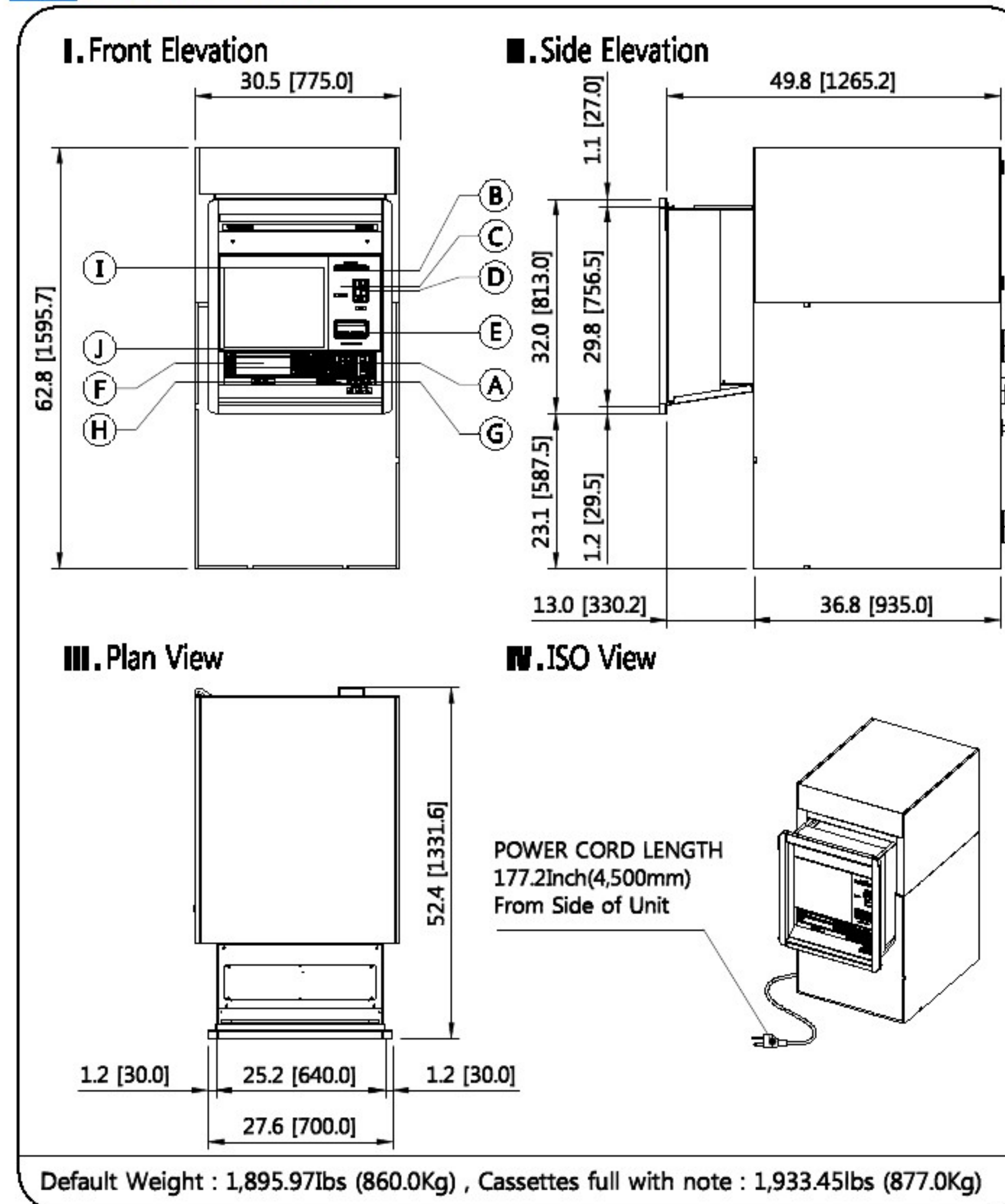
THE UL-LISTED SAFE IS EQUIPPED WITH A BASIC ALARM SENSOR. IT IS INCLUDED SAFE DOOR OPEN SWITCH, BASIC ALARM & HEAT SENSOR. IF INSTALL SHUNTING LOCK WITH SAFE DOOR, IT IS AVAILABLE SHUNTING ALARM SWITCH.



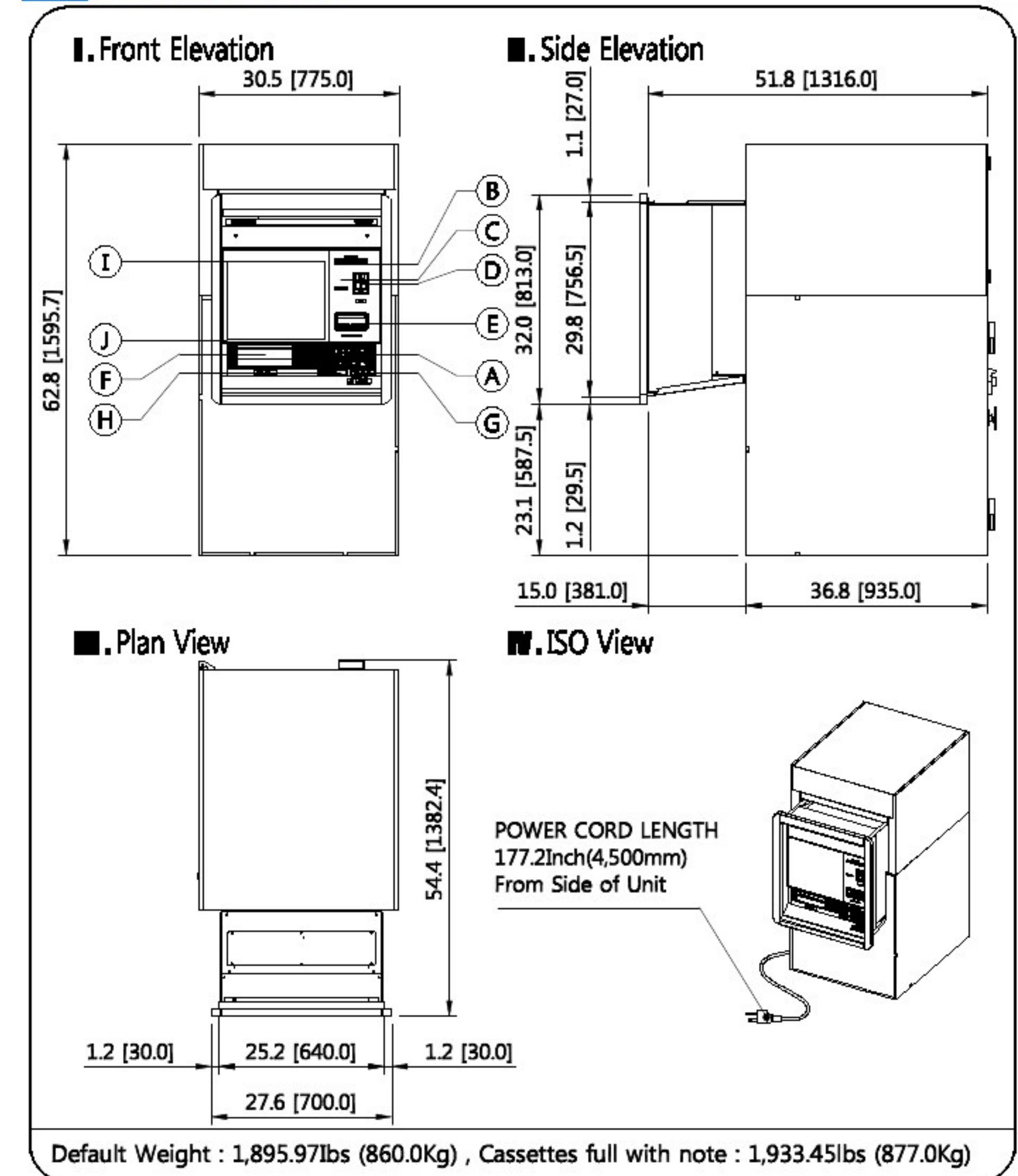
1 Exterior (10" Wall)



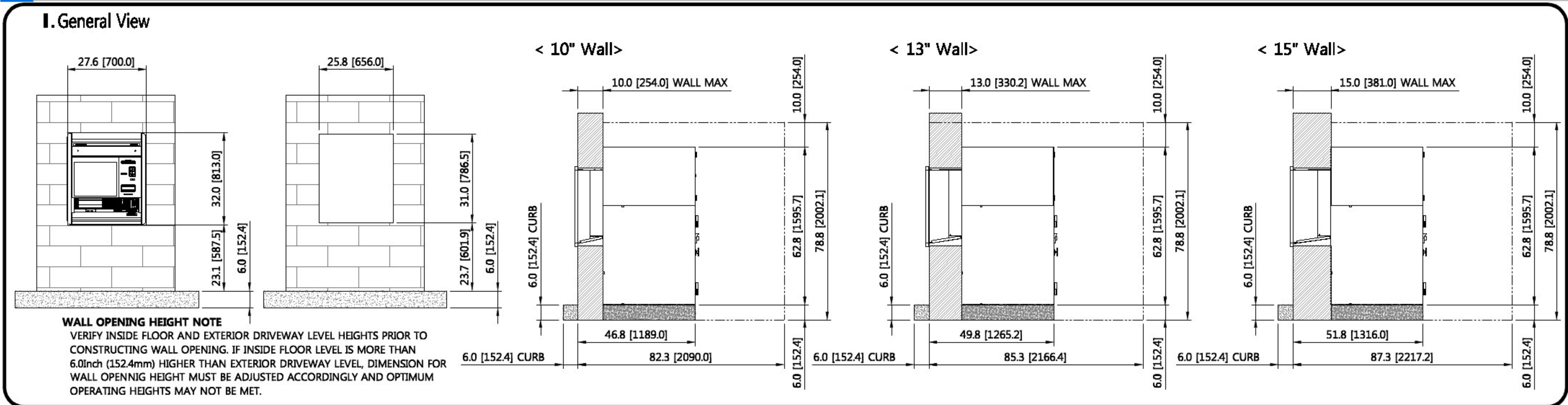
2 Exterior (13" Wall)



3 Exterior (15" Wall)

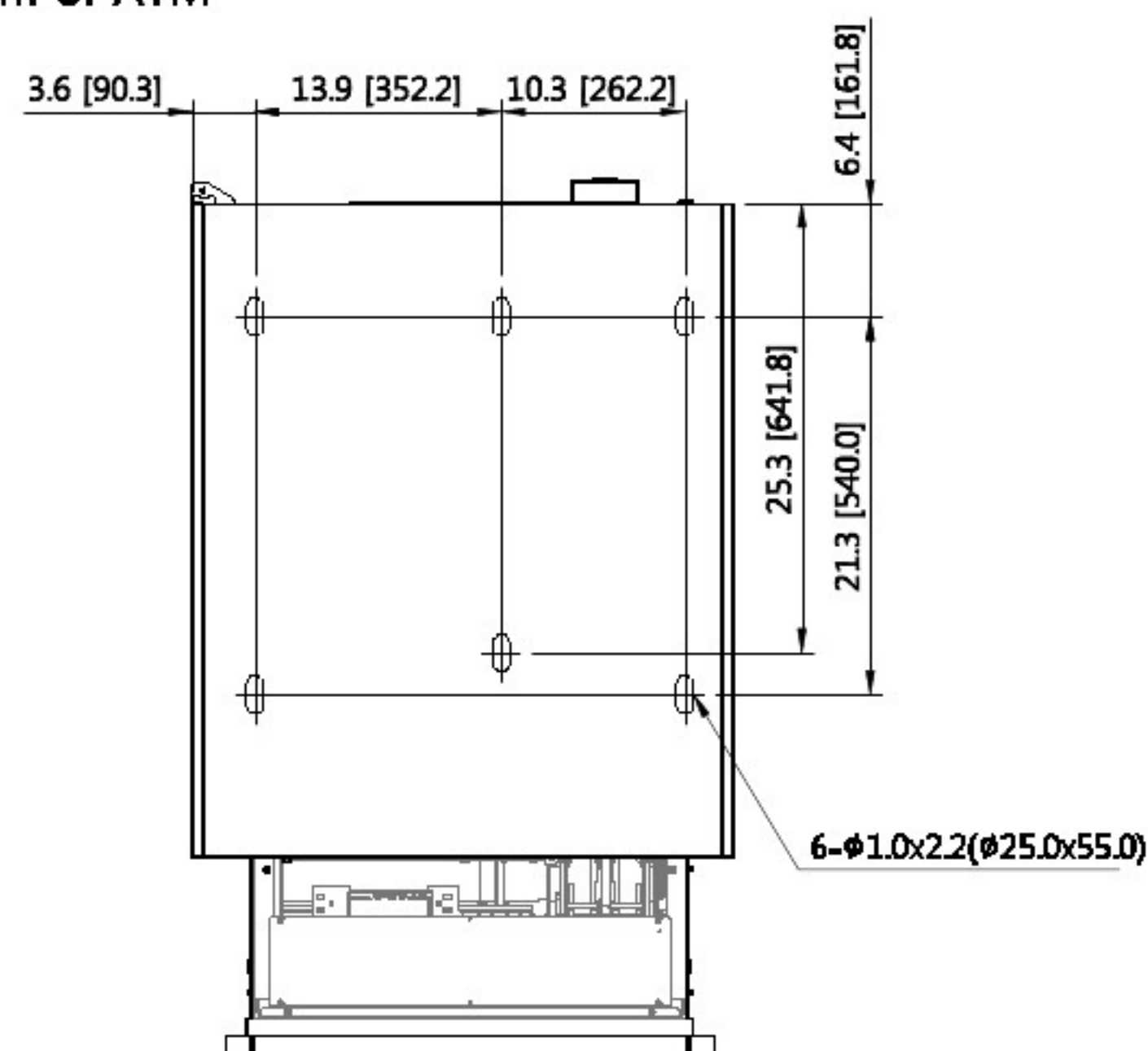


4 Service Area

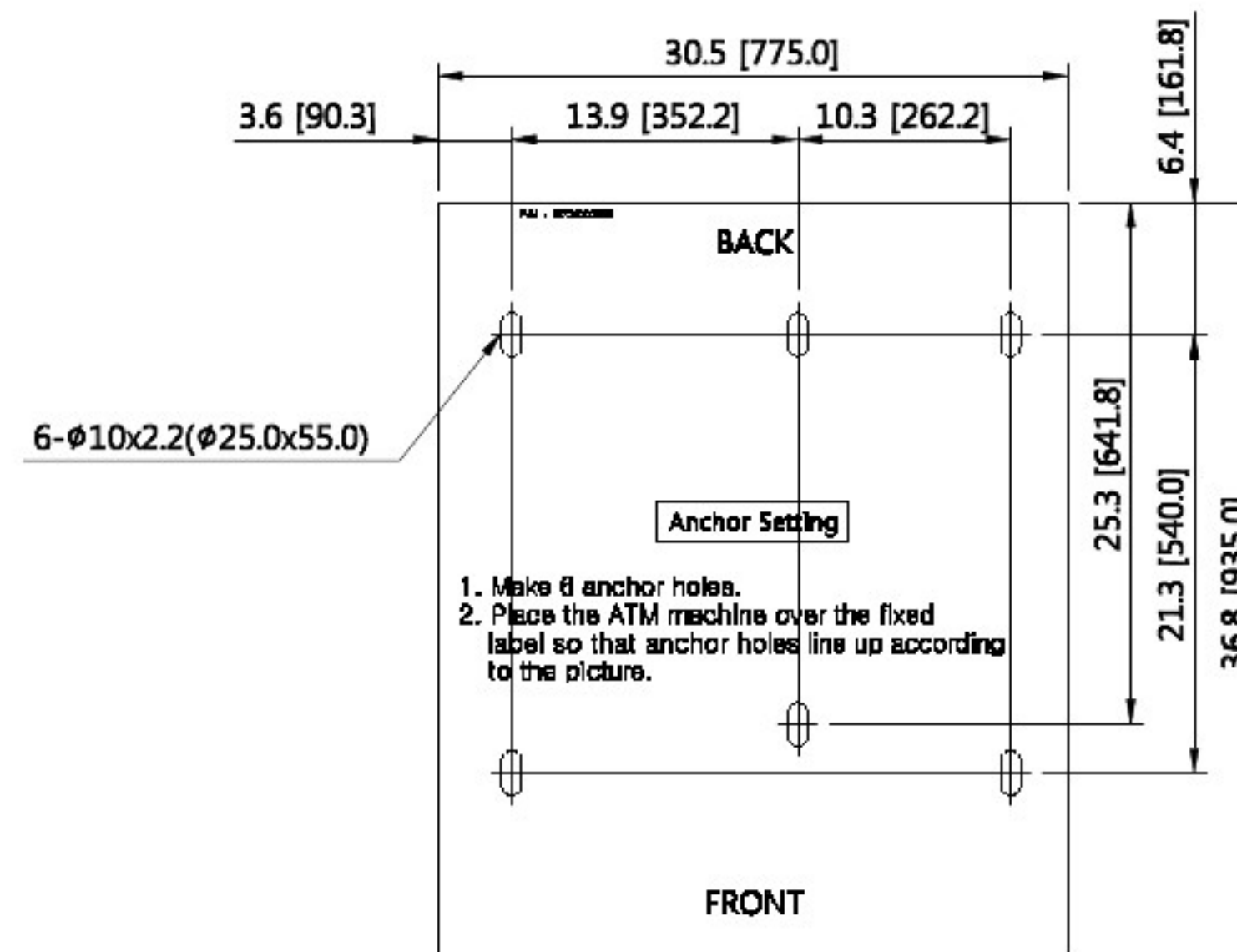


11 Installation Frame

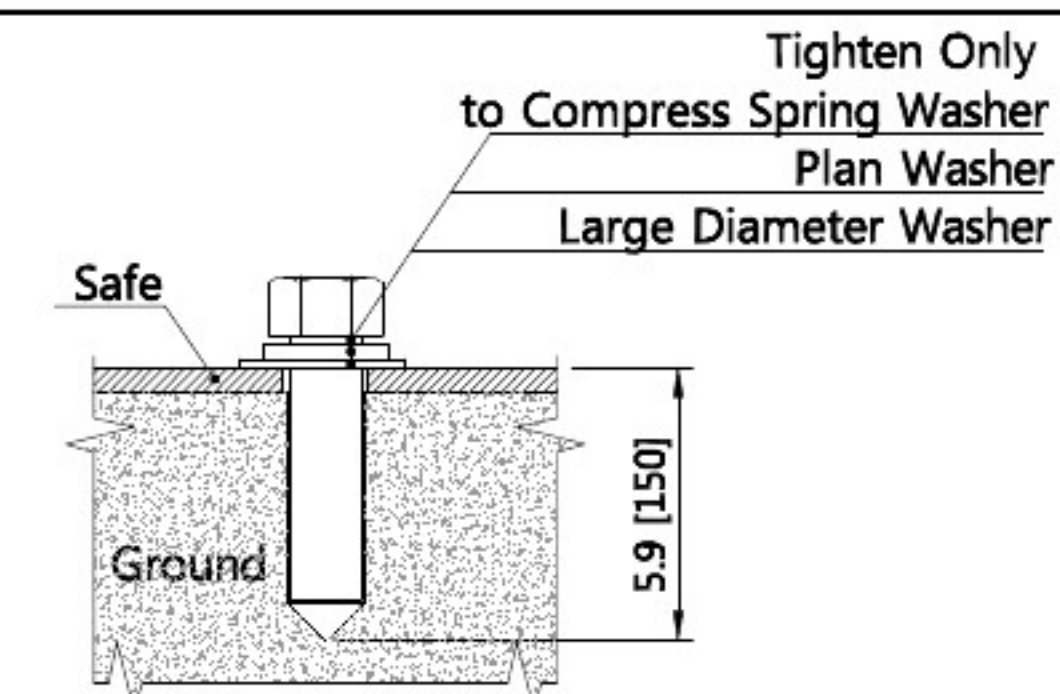
I. Bottom of ATM



II. Anchor Point



III. Anchor Detail



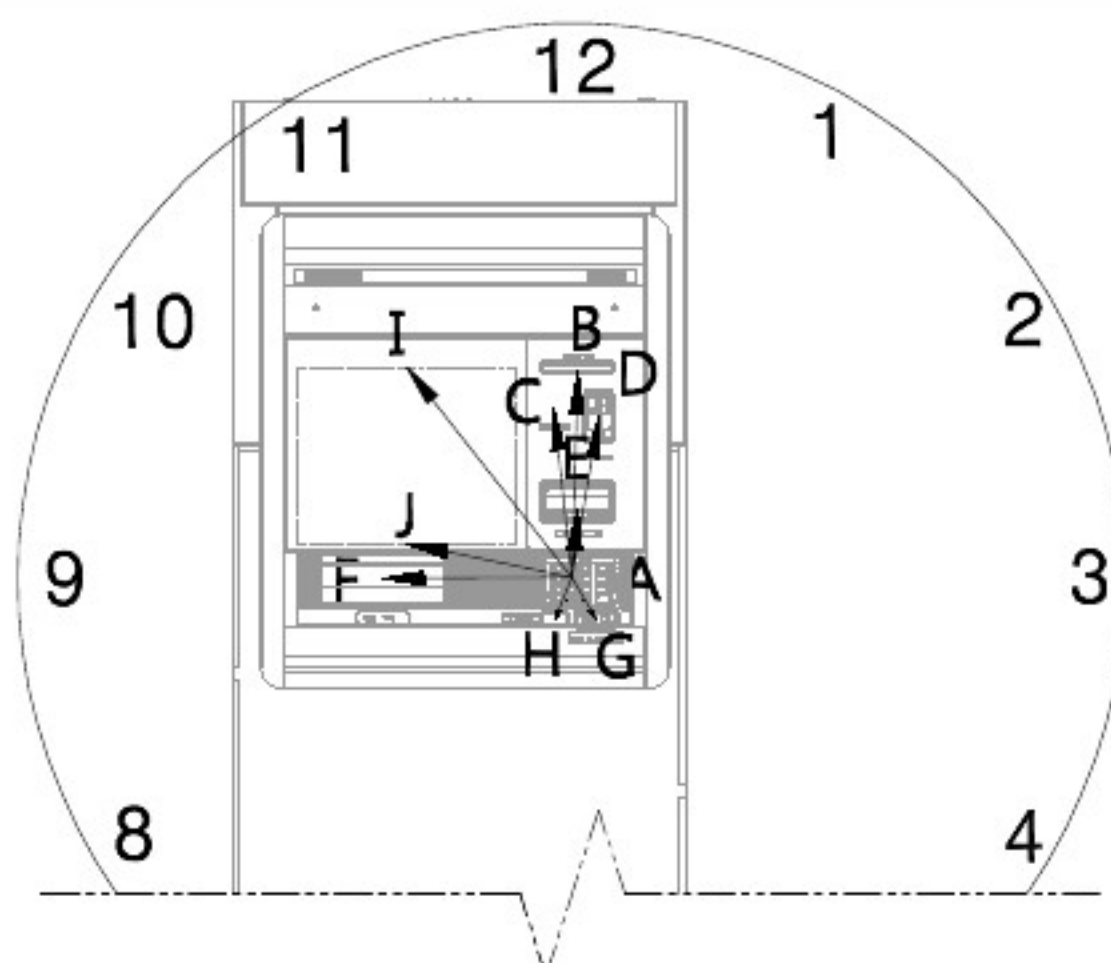
Bolts

- Type-either resin anchor or shield anchor bolts
- Size-5/8 in.(M16)
- Minimum Length-5.9 in.(150mm)
- Strength-high tensile(minimum ISO property class 8.8)

Washers

- Type-flat,steel(as per DIN7349 or equivalent)
- Size-5/8 in.(M16)
- Outer diameter-no greater than 1.58 in.(40mm)
- Minimum thickness-0.2in.(6mm)

12 Access For Device



Device	Height (from base of ATM)	Depth(wall 10") (from front of ATM)	Depth(wall 13") (from front of ATM)	Depth(wall 15") (from front of ATM)	Distance from No.5 Key <3D Distance>	Clock Face Position (Relative to No.5Key)
A	Encrypting PIN Pad 30.7inch [778.8mm]	3.7inch [95.2mm]	6.7inch [171.4mm]	8.7inch [222.2mm]	0	0
B	Receipt Printer 44.5inch [1130.1mm]	3.8inch [95.4mm]	6.8inch [171.6mm]	8.8inch [222.4mm]	13.8inch [351.4mm]	12
C	NFC 42.1inch [1068.4mm]	2.5inch [64.8mm]	5.5inch [141.0mm]	7.5inch [191.8mm]	11.5inch [291.2mm]	12
D	Card Reader 41.5inch [1054.5mm]	3.3inch [84.0mm]	6.3inch [160.2mm]	8.3inch [211.0mm]	11.1inch [281.5mm]	12
E	Cash/Check Insert Module 35.3inch [897.6mm]	3.9inch [98.7mm]	6.9inch [174.9mm]	8.9inch [225.7mm]	4.7inch [120.0mm]	12
F	Cash Dispenser 30.8inch [781.3mm]	4.5inch [113.4mm]	7.5inch [189.8mm]	9.5inch [240.4mm]	12.8inch [323.9mm]	9
G	Earphone Jack 27.9inch [709.4mm]	3.9inch [98.8mm]	6.9inch [175.0mm]	8.9inch [225.8mm]	3.2inch [80.5mm]	5
H	BARCODE 27.8inch [707.2mm]	4.0inch [101.1mm]	7.0inch [177.3mm]	9.0inch [228.1mm]	3.1inch [77.6mm]	9
I	Screen Top 44.8inch [1138.7mm]	3.9inch [99.7mm]	6.9inch [175.9mm]	8.9inch [226.7mm]	18.0inch [458.1mm]	11
J	Screen Bottom 32.9inch [836.6mm]	3.9inch [99.7mm]	6.9inch [175.9mm]	8.9inch [226.7mm]	11.4inch [289.3mm]	9

13 Power Requirements

I. The power for the site

- 100~127Vac(±10%), at 50/60(±3)Hz, Single-phase

II. Power Consumption

- Idle
HEATER OFF : 204 W
HEATER ON : 496 W
- Transaction (Max)
HEATER OFF : 346 W
HEATER ON : 610 W

III. Thermal Output

- Idle
HEATER OFF : 696.1 BTU/hr
HEATER ON : 1692.4 BTU/hr
- Transaction (Max)
HEATER OFF : 1180.6 BTU/hr
HEATER ON : 2081.4 BTU/hr

IV. Environmental Conditions:

- Temperature: 32°F - 104°F (0°C ~ 40°C)
- Humidity 25% - 85%

"Note 1: MX8300D ATM must have a dedicated 20A service"

The power use depends on the number and type of devices present in the recycler/dispenser and the type of transaction the recycler/dispenser is performing

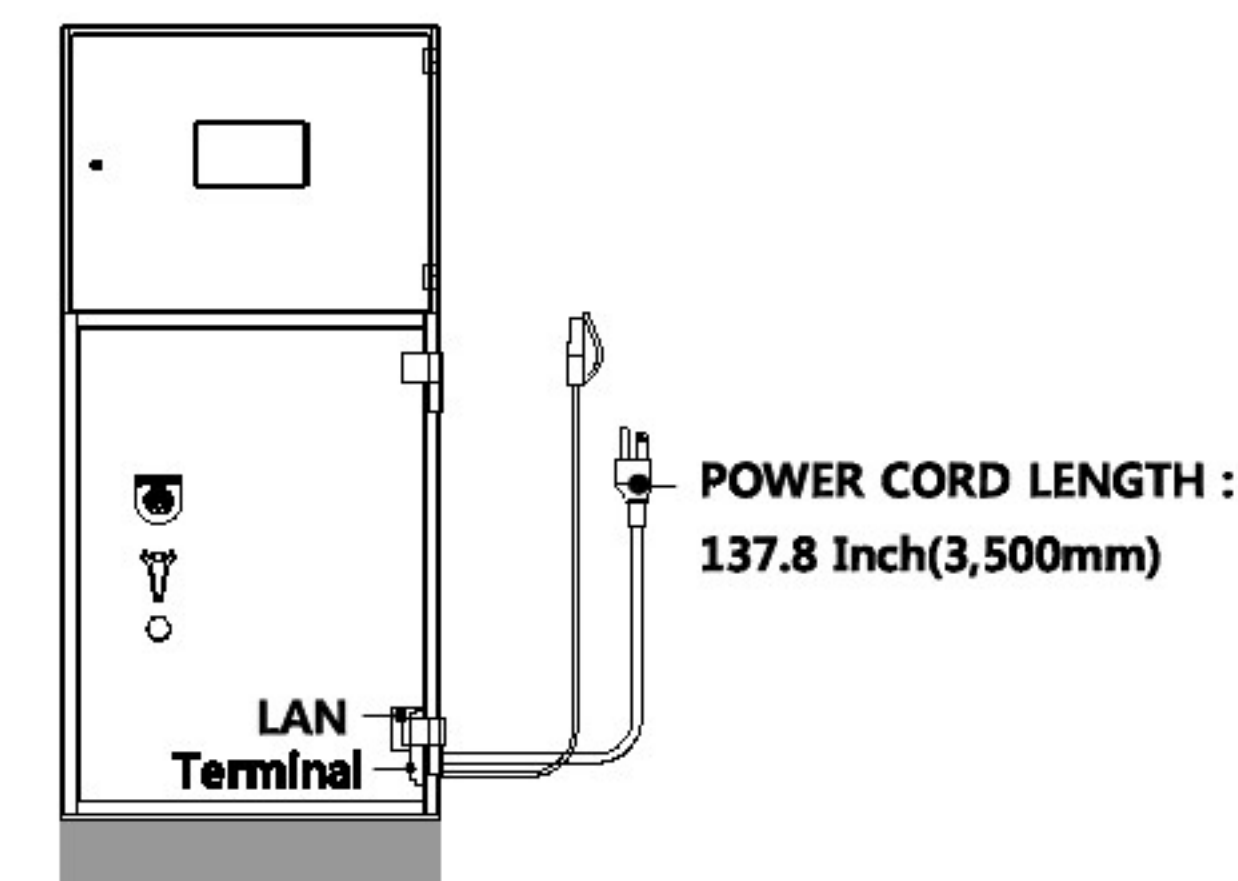
14 Installation Guide

PHYSICAL SECURITY

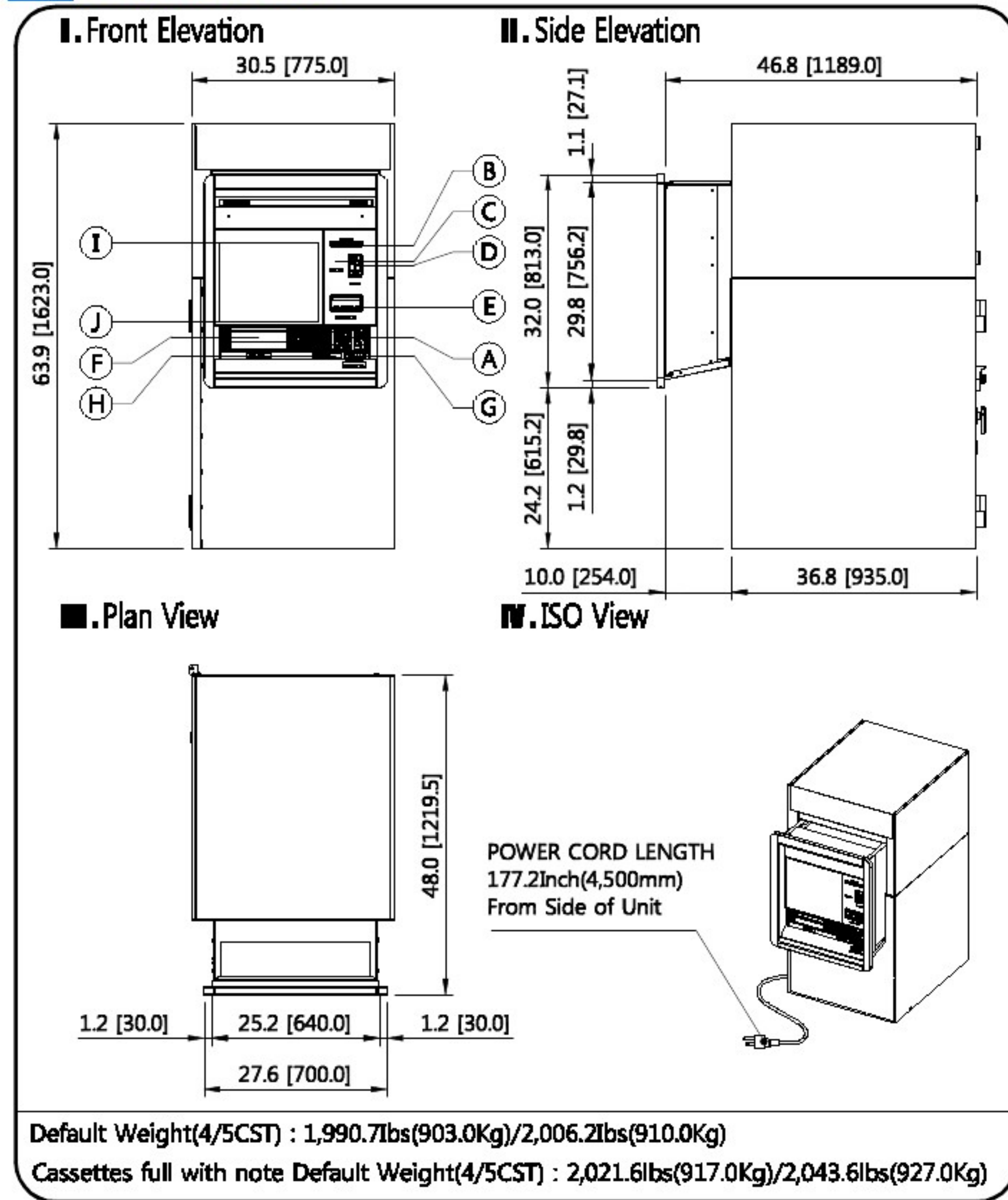
THE SECURITY SAFE MEETS THE ATTACK TEST PER UL 291. THE SAFE DOOR HAS A POSITIVE RELOCKING FEATURE. THE SAFE DOOR SHOULD BE CONTROLLED BY A MINIMUM OF A GROUP 2M UL LISTED COMBINATION LOCK WITH OR WITHOUT KEYLOCKING DIAL CAPABILITY OR OPTIONAL ELECTRONIC LOCK.

ALARM PROTECTION

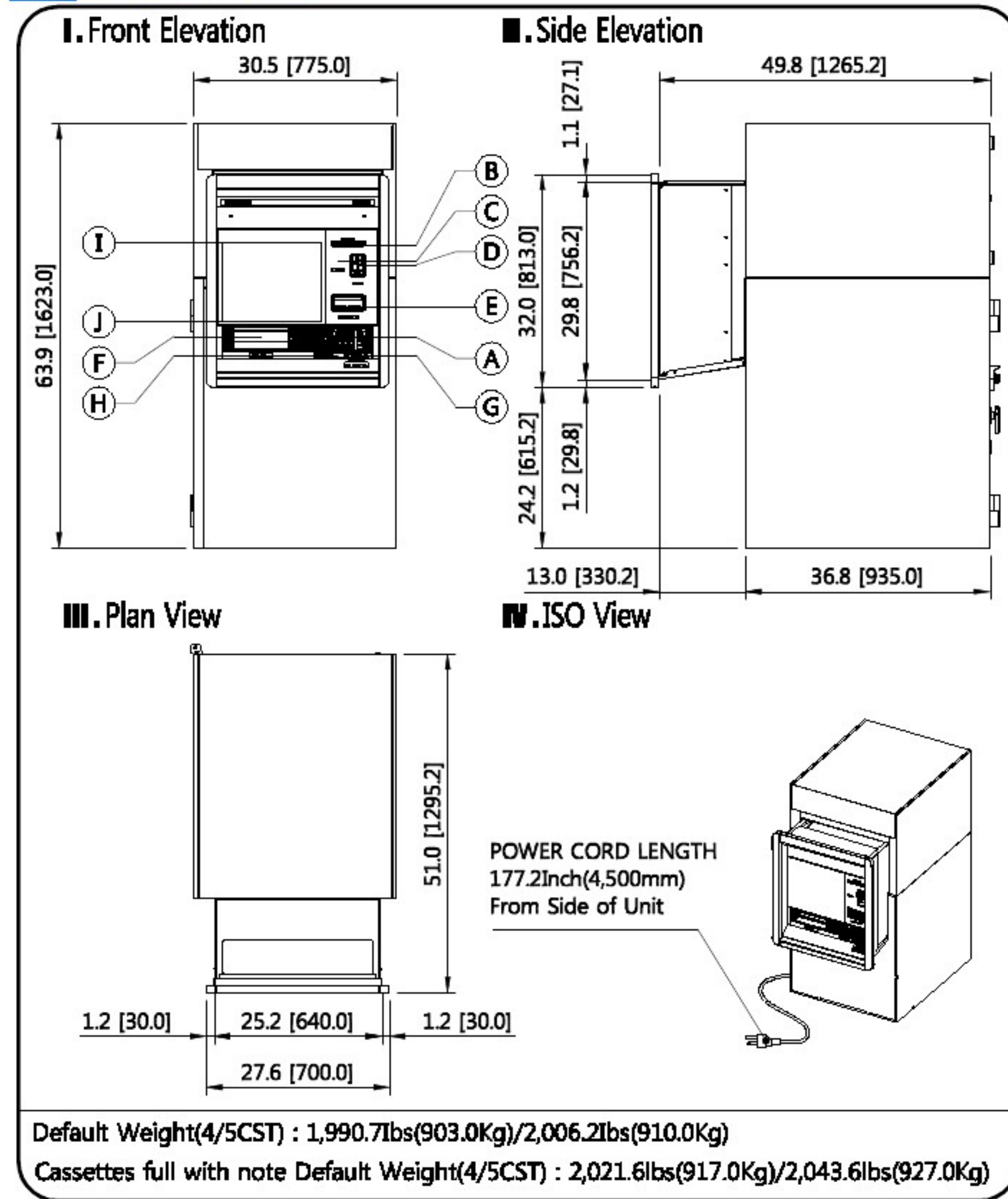
THE UL-LISTED SAFE IS EQUIPPED WITH A BASIC ALARM SENSOR. IT IS INCLUDED SAFE DOOR OPEN SWITCH, BASIC ALARM & HEAT SENSOR. IF INSTALL SHUNTING LOCK WITH SAFE DOOR, IT IS AVAILABLE SHUNTING ALARM SWITCH.



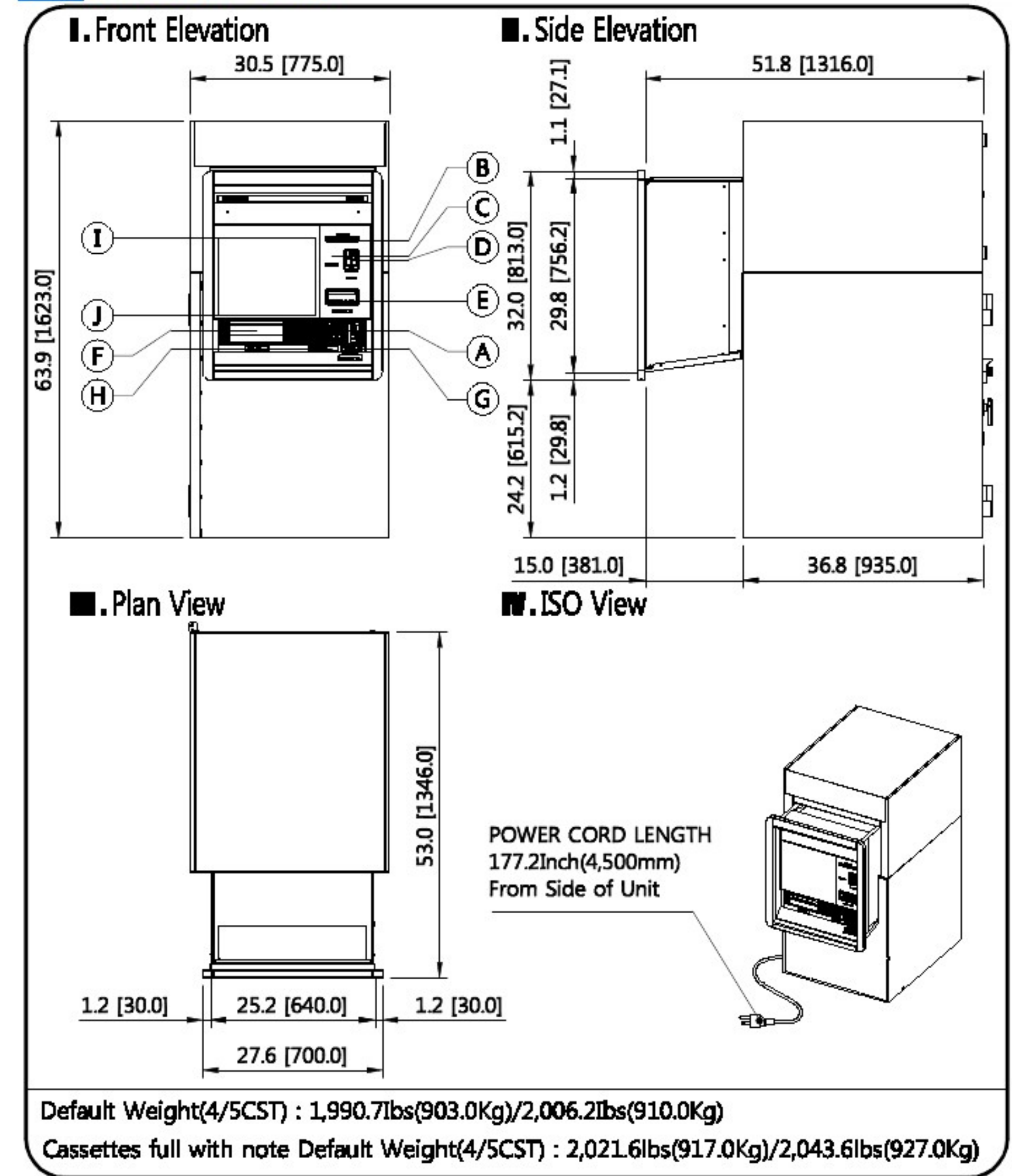
1 Exterior (10" Wall)



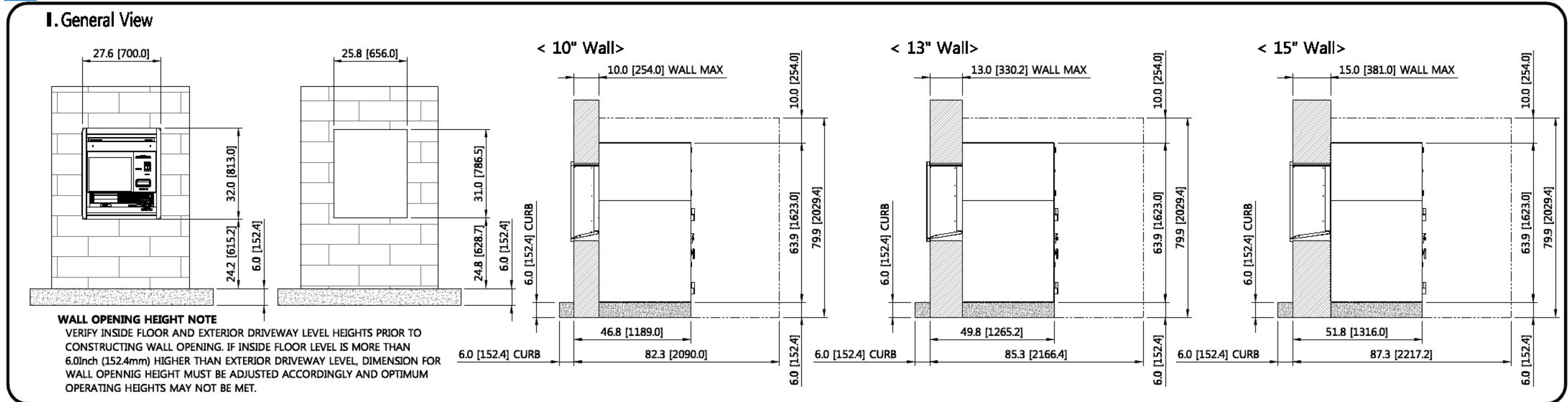
2 Exterior (13" Wall)



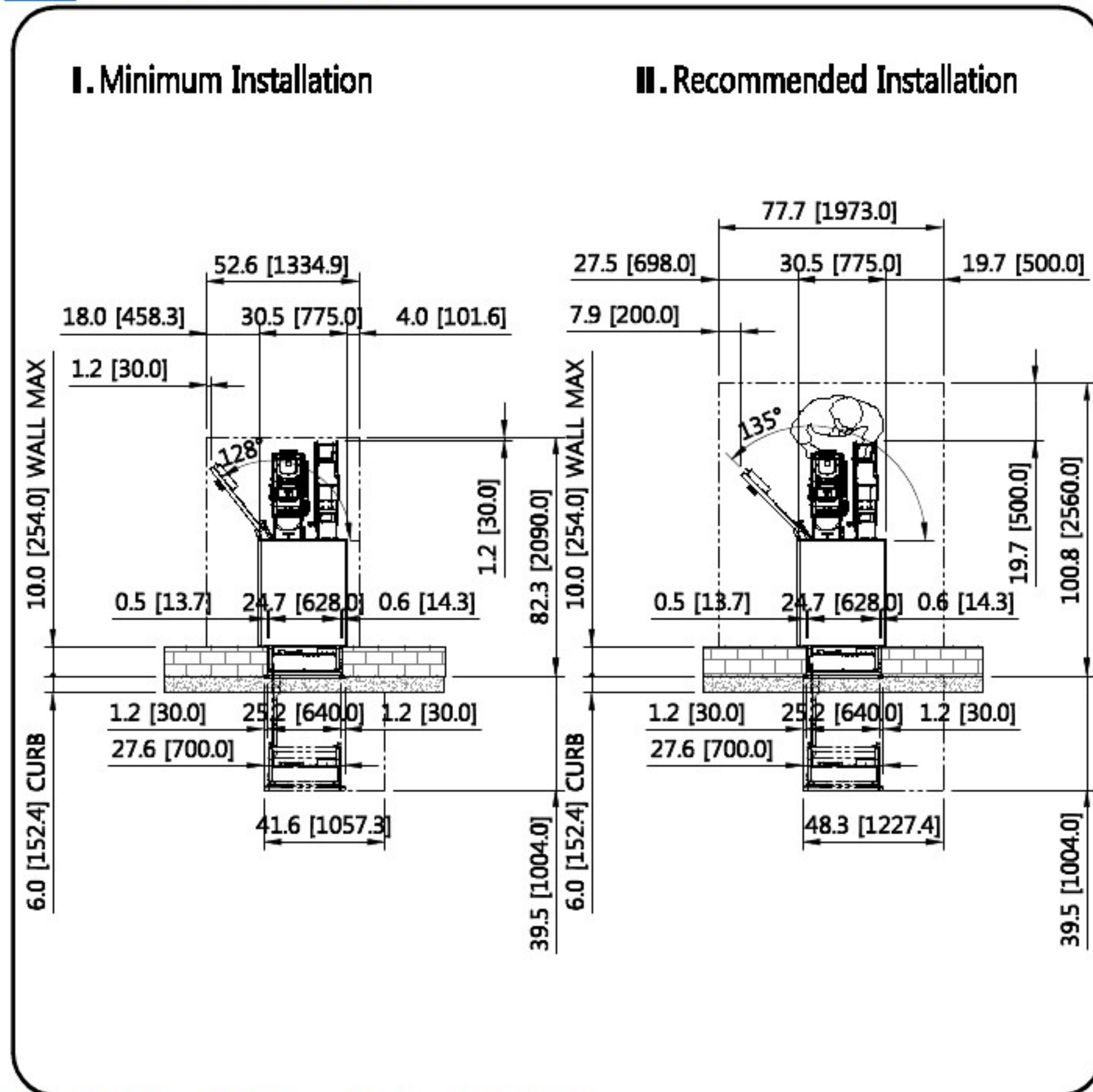
3 Exterior (15" Wall)



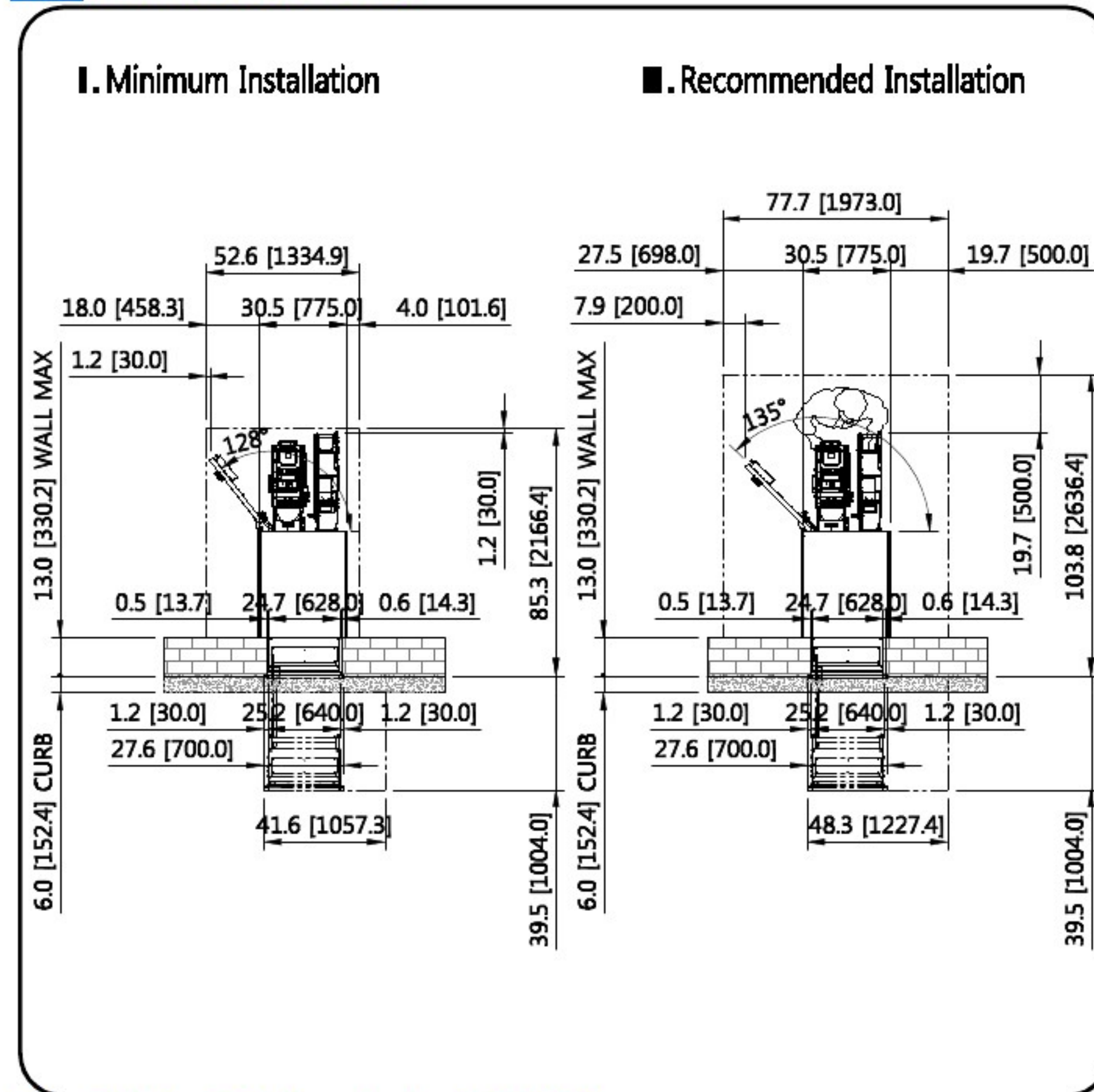
4 Service Area



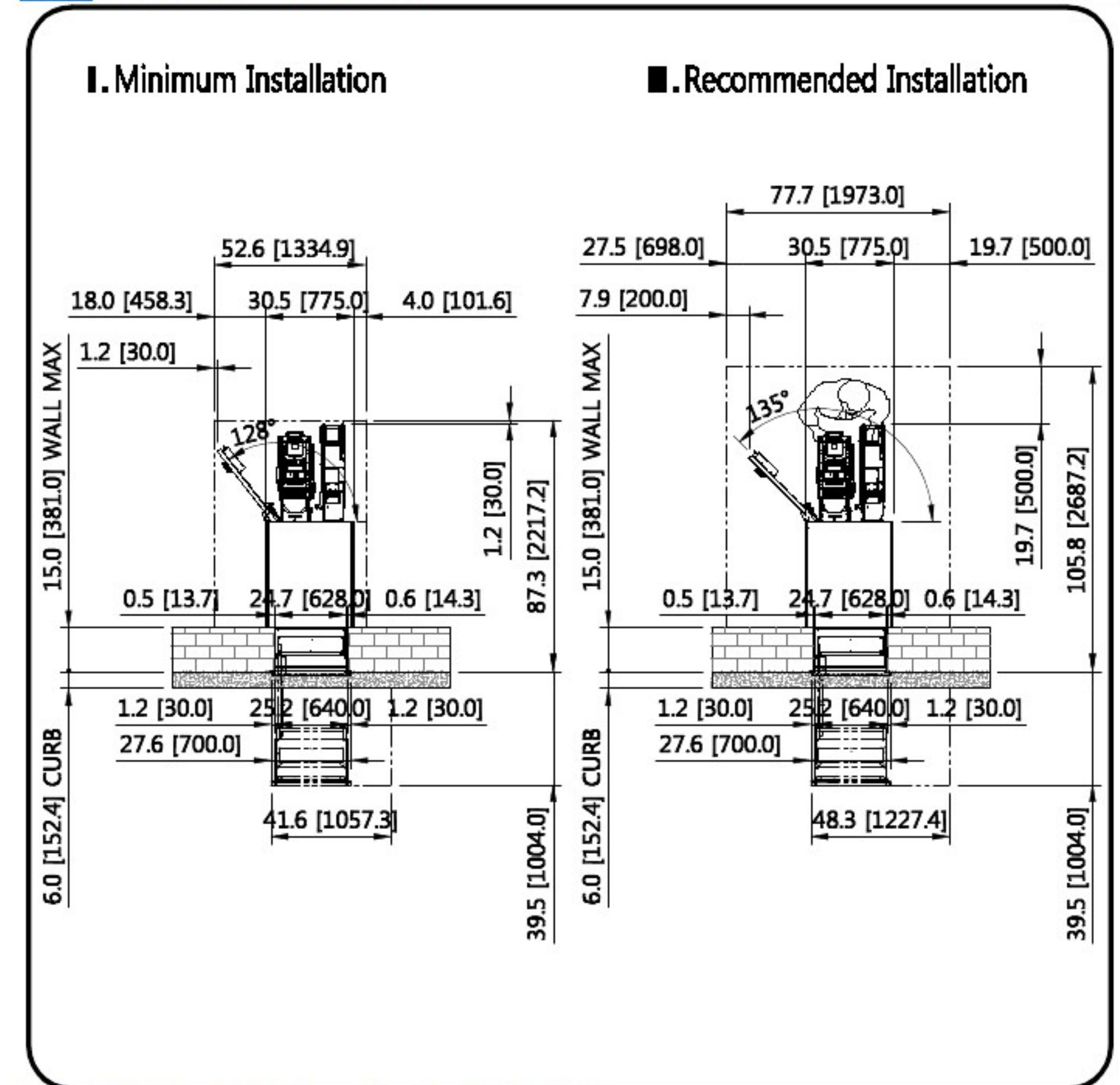
5 Installation (10" Wall)



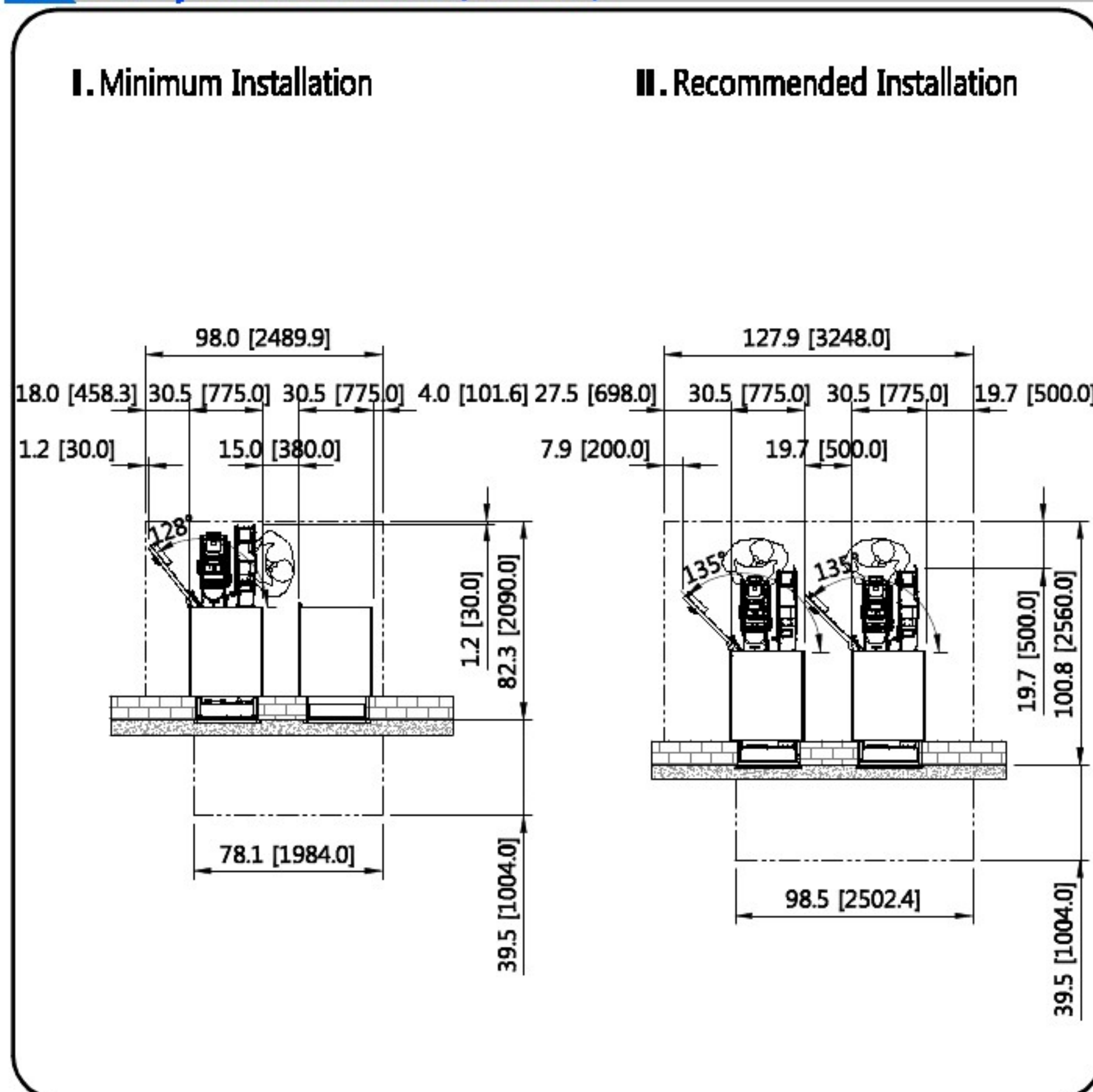
6 Installation (13" Wall)



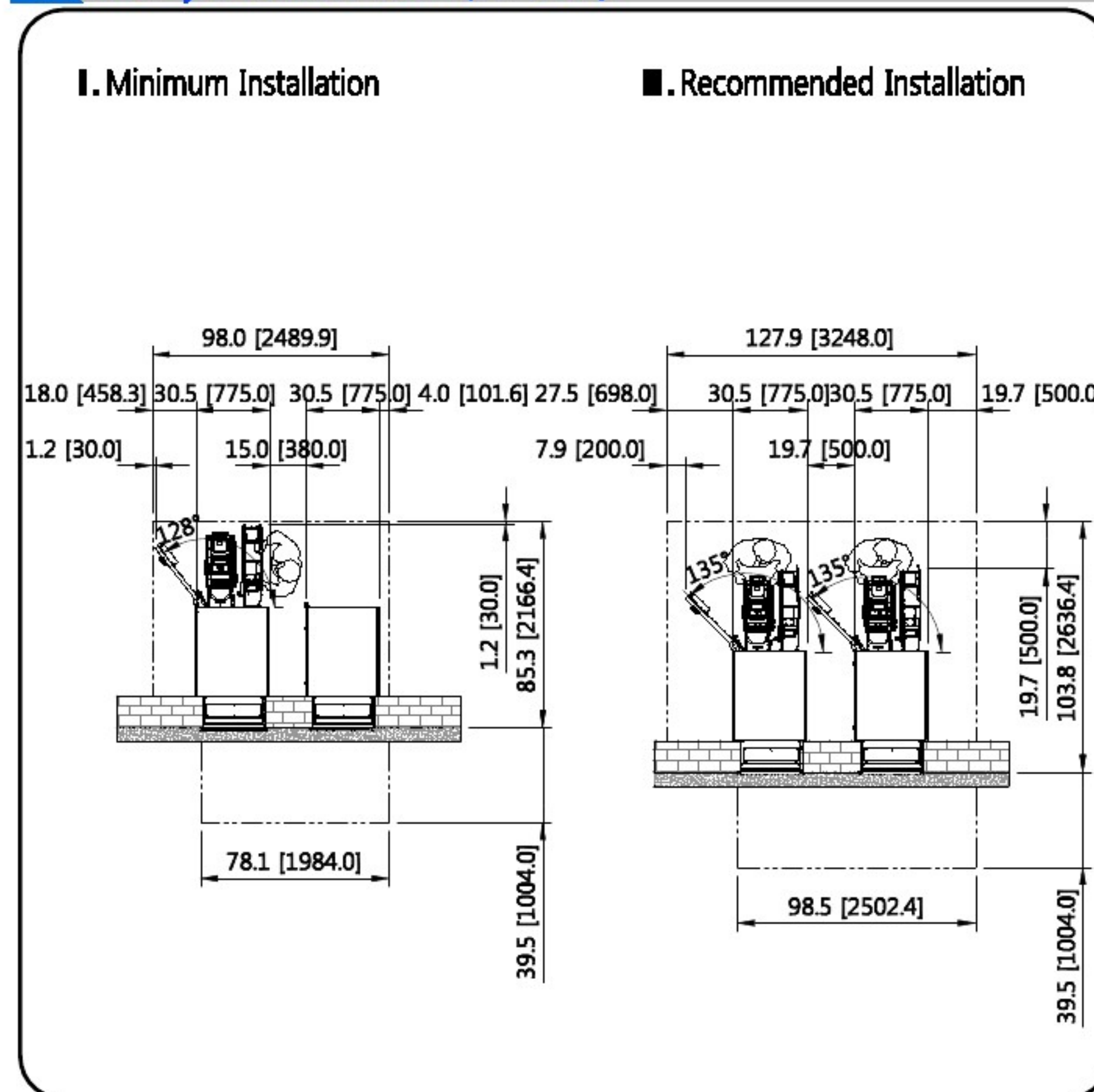
7 Installation (15" Wall)



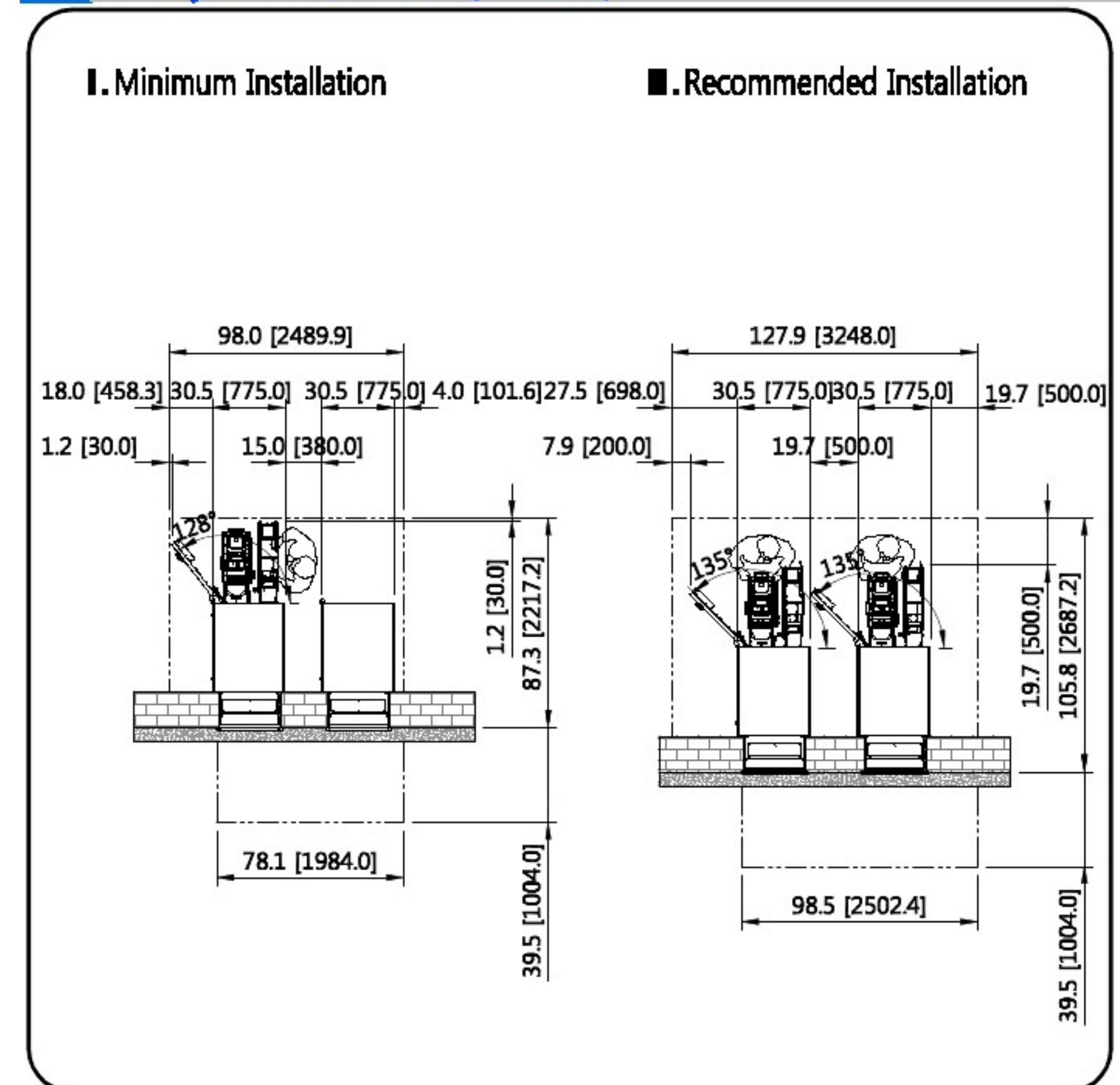
8 Side by Side installation (10" Wall)



9 Side by Side installation (13" Wall)

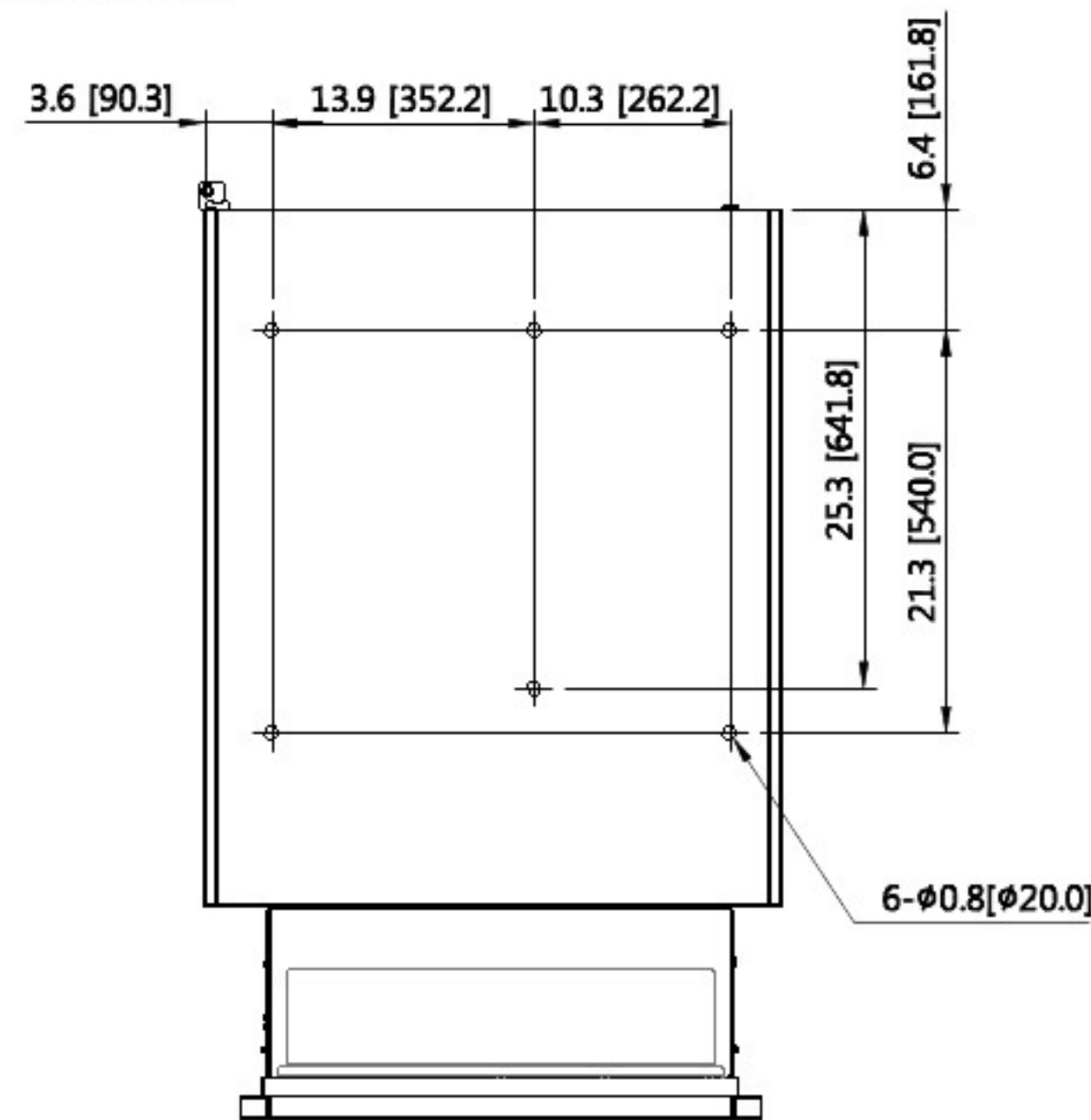


10 Side by Side installation (15" Wall)

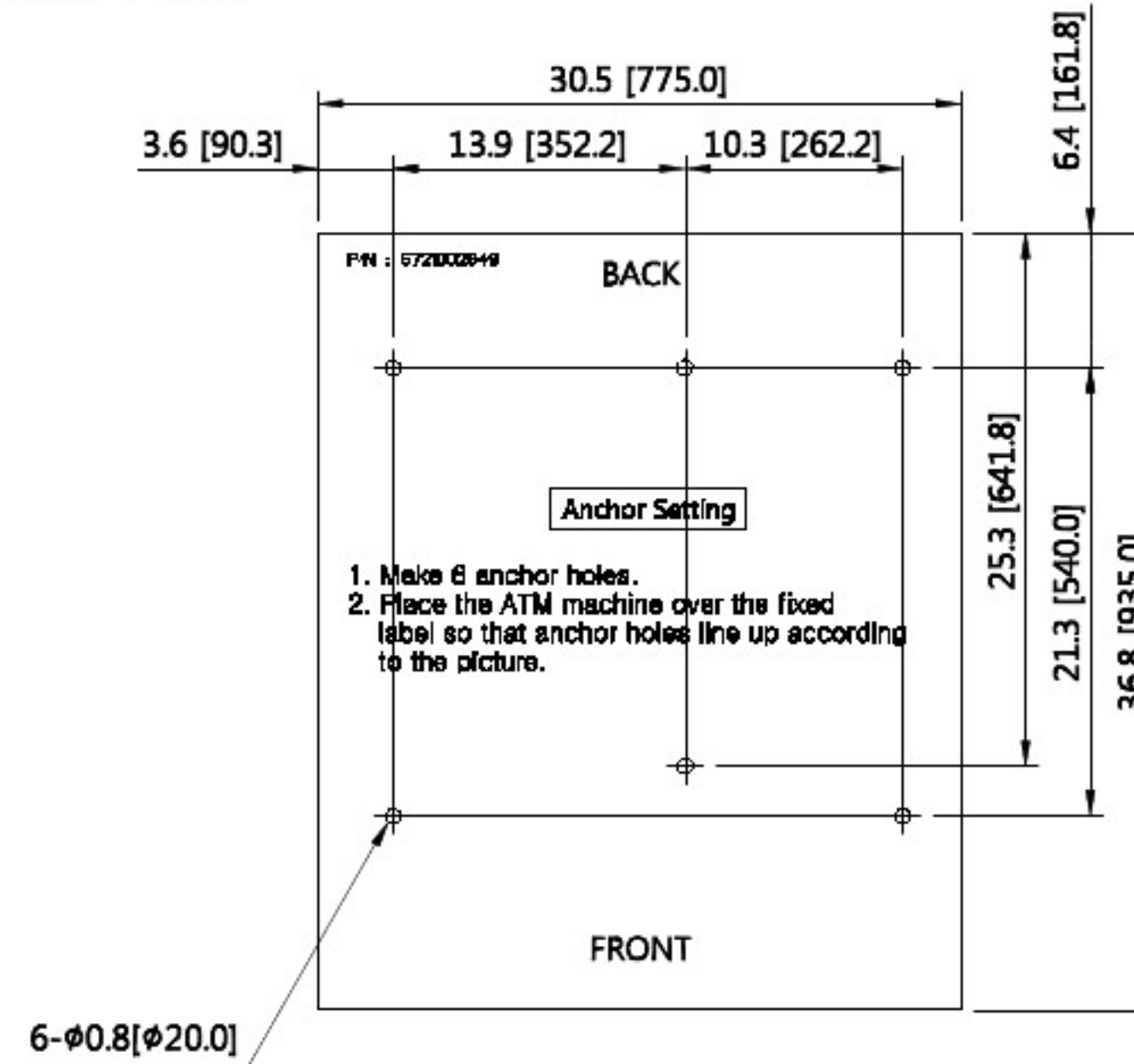


11 Installation Frame

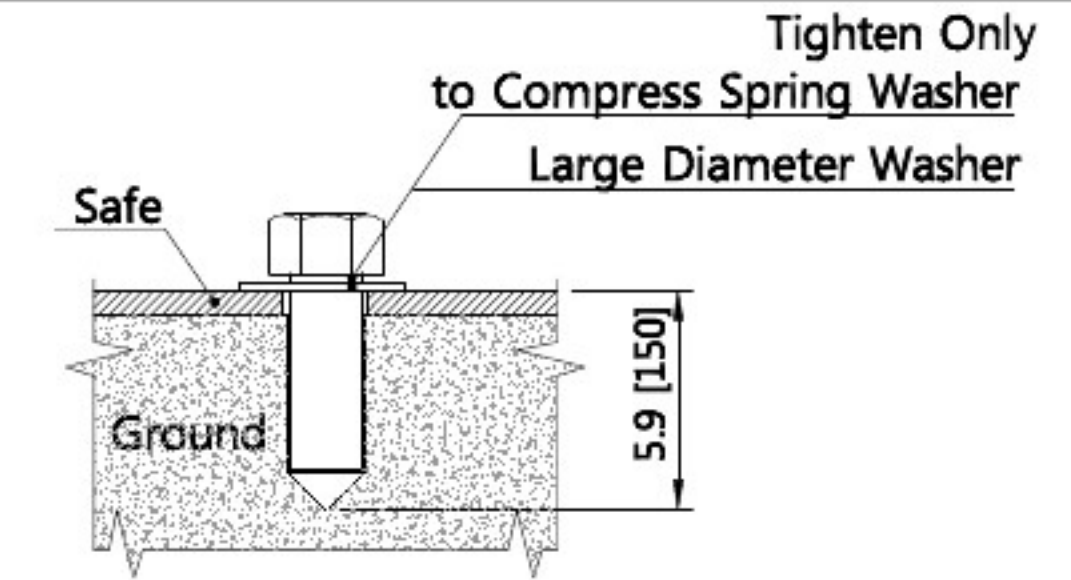
I. Bottom of ATM



II. Anchor Point



III. Anchor Detail



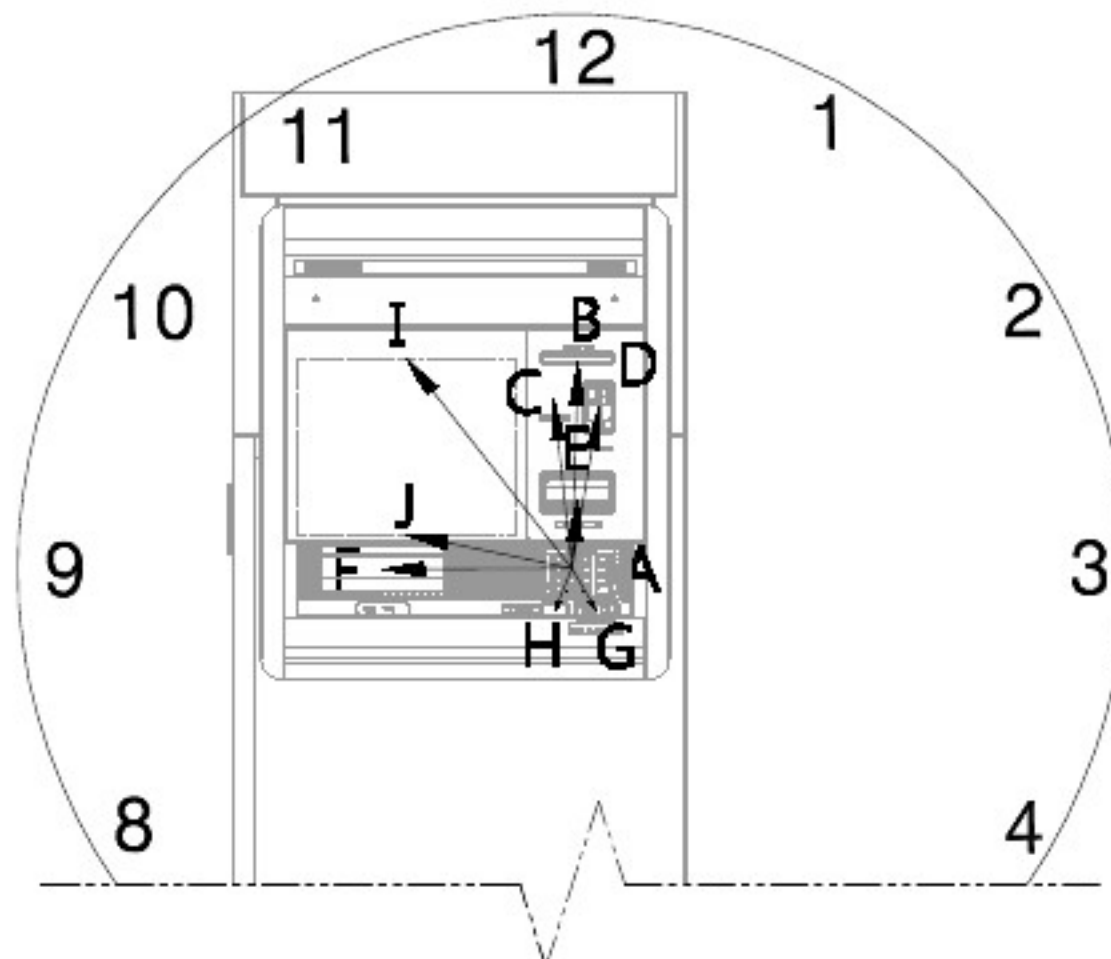
Bolts

- Type-steel 2ea(back direction), sus 304 2ea(front direction)
- Size-5/8 in.(M16)
- Minimum Length-5.9 in.(150mm)
- Strength-high tensile(minimum ISO property class 8.8)
- The screw thread diameter of the anchor should be more than 0.67 in.(17.0mm)

Washers

- Type-steel 2ea(as per DIN7349 or equivalent), sus 304 2ea
- Size-5/8 in.(M16)
- Outer diameter-no greater than 1.58 in.(40mm)
- Minimum thickness-0.16 in.(4mm)

12 Access For Device



Device	Height (from base of ATM)	Depth(wall 10") (from front of ATM)	Depth(wall 13") (from front of ATM)	Depth(wall 15") (from front of ATM)	Distance from No.5 Key <3D Distance>	Clock Face Position (Relative to No.5Key)	
A	Encrypting PIN Pad	31.8inch [806.6mm]	3.7inch [95.2mm]	6.7inch [171.4mm]	8.7inch [222.2mm]	0	0
B	Receipt Printer	45.6inch [1157.8mm]	3.8inch [95.4mm]	6.8inch [171.6mm]	8.8inch [222.4mm]	13.8inch [351.4mm]	12
C	NFC	43.2inch [1096.1mm]	2.5inch [64.8mm]	5.5inch [141.0mm]	7.5inch [191.8mm]	11.5inch [291.2mm]	12
D	Card Reader	42.6inch [1082.3mm]	3.3inch [84.0mm]	6.3inch [160.2mm]	8.3inch [211.0mm]	11.1inch [281.5mm]	12
E	Cash/Check Insert Module	36.4inch [925.3mm]	3.9inch [98.7mm]	6.9inch [174.9mm]	8.9inch [225.7mm]	4.7inch [120.0mm]	12
F	Cash Dispenser	31.9inch [809.0mm]	4.5inch [113.4mm]	7.5inch [189.8mm]	9.5inch [240.4mm]	12.8inch [323.9mm]	9
G	Earphone Jack	29.0inch [737.1mm]	3.9inch [98.8mm]	6.9inch [175.0mm]	8.9inch [225.8mm]	3.2inch [80.5mm]	5
H	BARCODE	28.9inch [734.9mm]	4.0inch [101.1mm]	7.0inch [177.3mm]	9.0inch [228.1mm]	3.1inch [77.6mm]	9
I	Screen Top	45.9inch [1166.4mm]	3.8inch [95.7mm]	6.8inch [171.9mm]	8.8inch [222.7mm]	18.0inch [458.1mm]	11
J	Screen Bottom	34.0inch [864.4mm]	3.8inch [95.7mm]	6.8inch [171.9mm]	8.8inch [222.7mm]	11.4inch [289.3mm]	9

13 Power Requirements

I. The power for the site

- 100~127Vac(±10%), at 50/60(±3)Hz, Single-phase

II. Power Consumption

- Idle
HEATER OFF : 204 W
HEATER ON : 496 W
- Transaction (Max)
HEATER OFF : 346 W
HEATER ON : 610 W

III. Thermal Output

- Idle
HEATER OFF : 696.1 BTU/hr
HEATER ON : 1692.4 BTU/hr
- Transaction (Max)
HEATER OFF : 1180.6 BTU/hr
HEATER ON : 2081.4 BTU/hr

IV. Environmental Conditions:

- Temperature: 32°F - 104°F (0°C ~ 40°C)
- Humidity 25% - 85%

"Note 1: MX8300D ATM must have a dedicated 20A service"

The power use depends on the number and type of devices present in the recycler/dispenser and the type of transaction the recycler/dispenser is performing

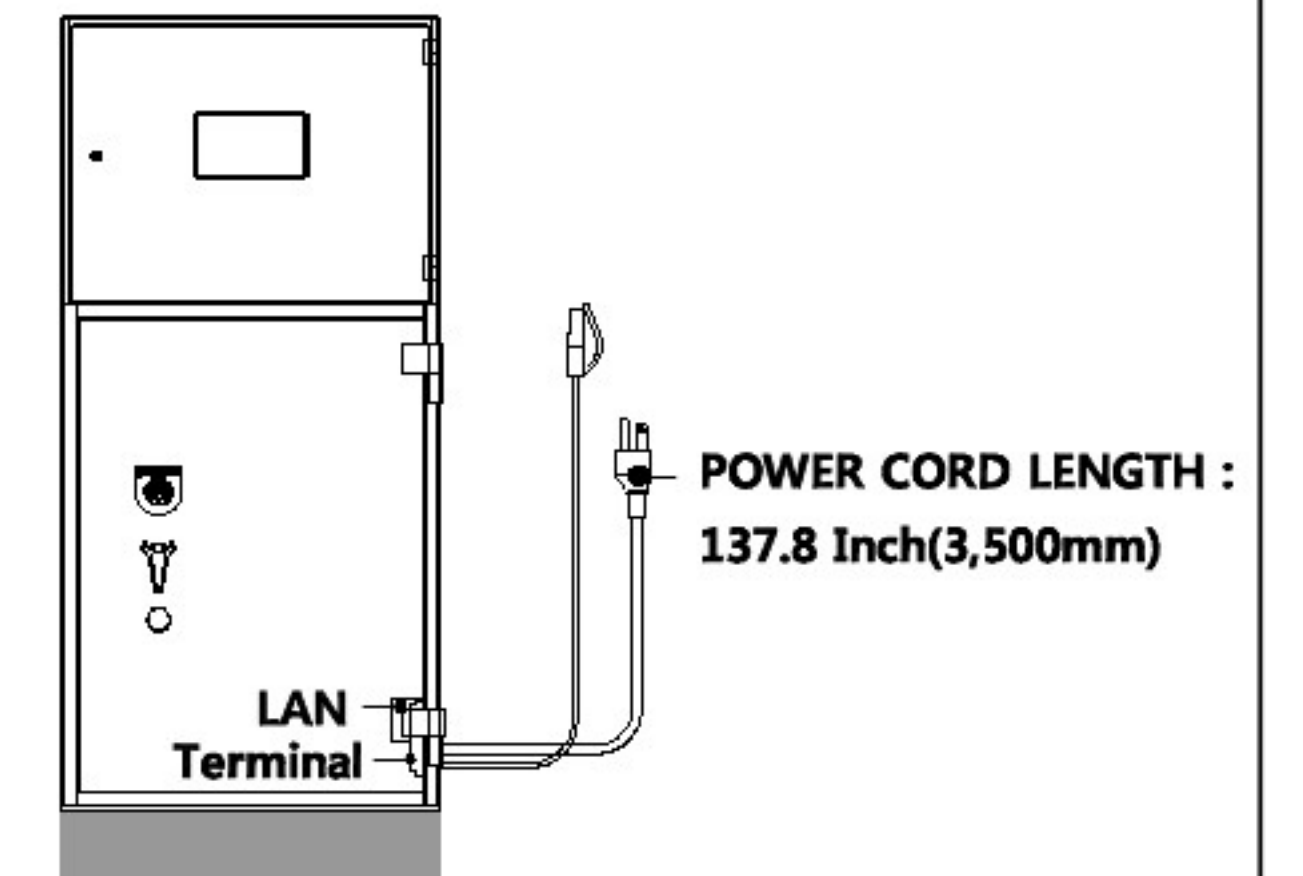
14 Installation Guide

PHYSICAL SECURITY

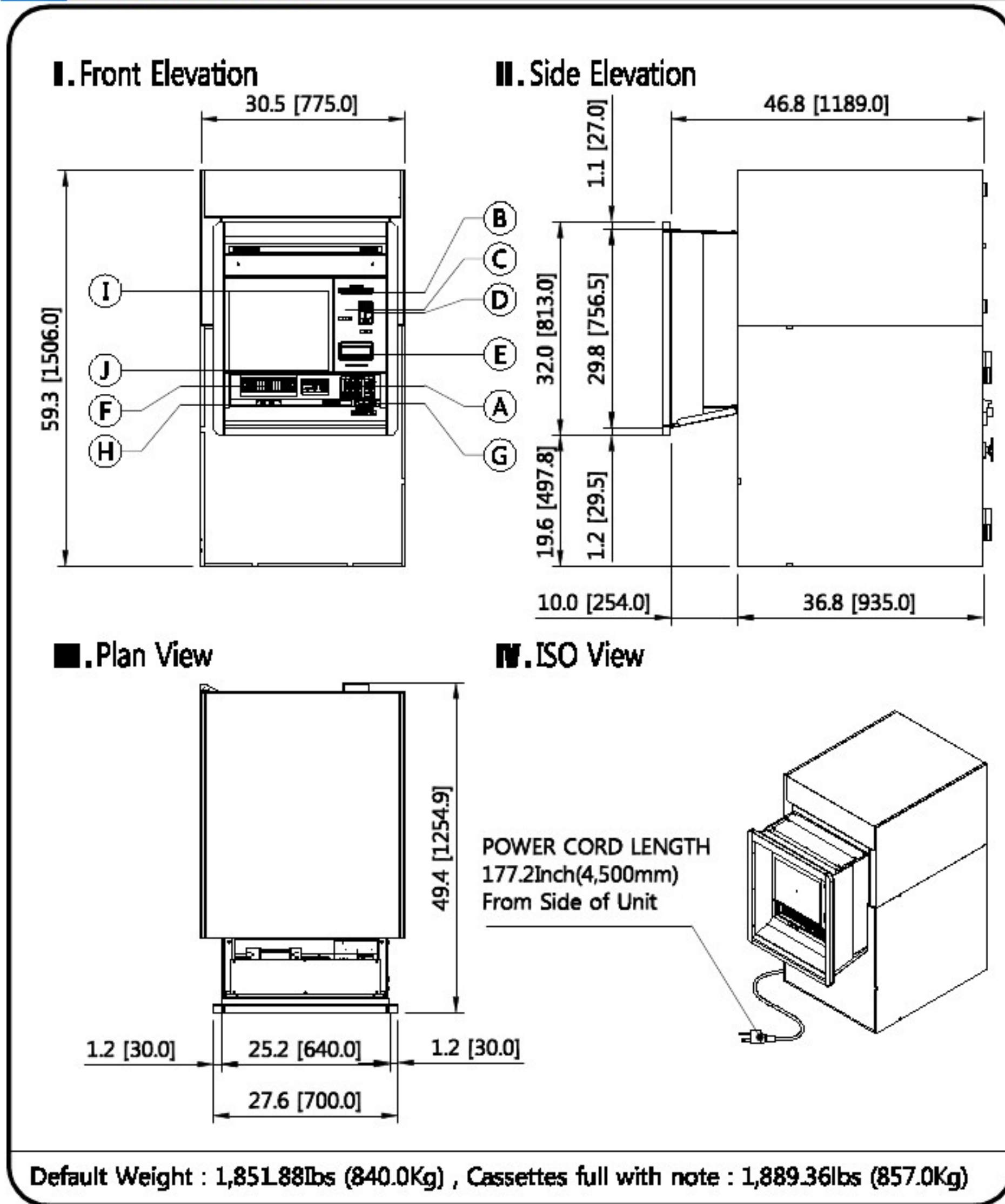
THE SECURITY SAFE MEETS THE ATTACK TEST PER UL 291. THE SAFE DOOR HAS A POSITIVE RELOCKING FEATURE. THE SAFE DOOR SHOULD BE CONTROLLED BY A MINIMUM OF A GROUP 2M UL LISTED COMBINATION LOCK WITH OR WITHOUT KEYLOCKING DIAL CAPABILITY OR OPTIONAL ELECTRONIC LOCK.

ALARM PROTECTION

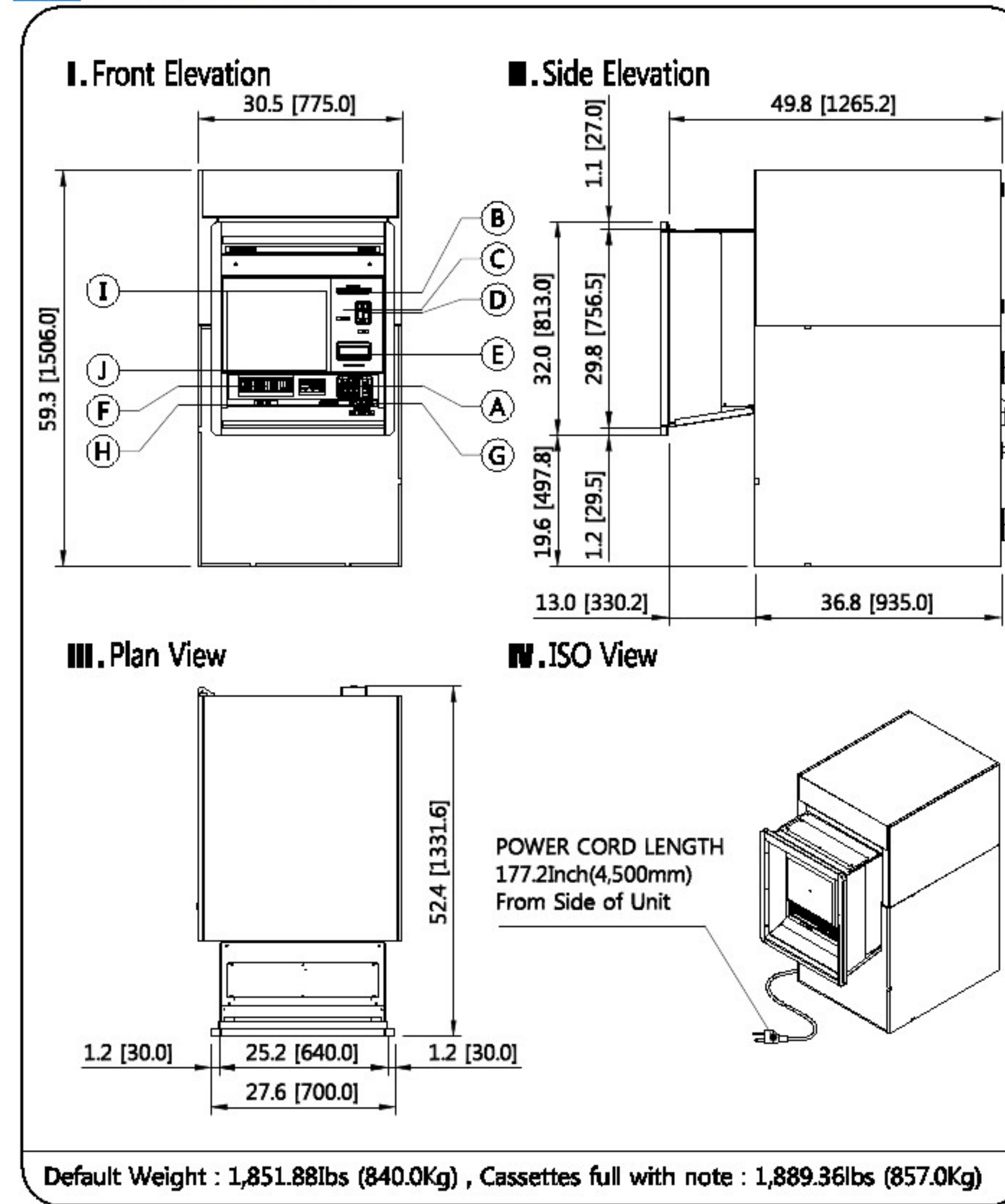
THE UL-LISTED SAFE IS EQUIPPED WITH A BASIC ALARM SENSOR. IT IS INCLUDED SAFE DOOR OPEN SWITCH, BASIC ALARM & HEAT SENSOR. IF INSTALL SHUNTING LOCK WITH SAFE DOOR, IT IS AVAILABLE SHUNTING ALARM SWITCH



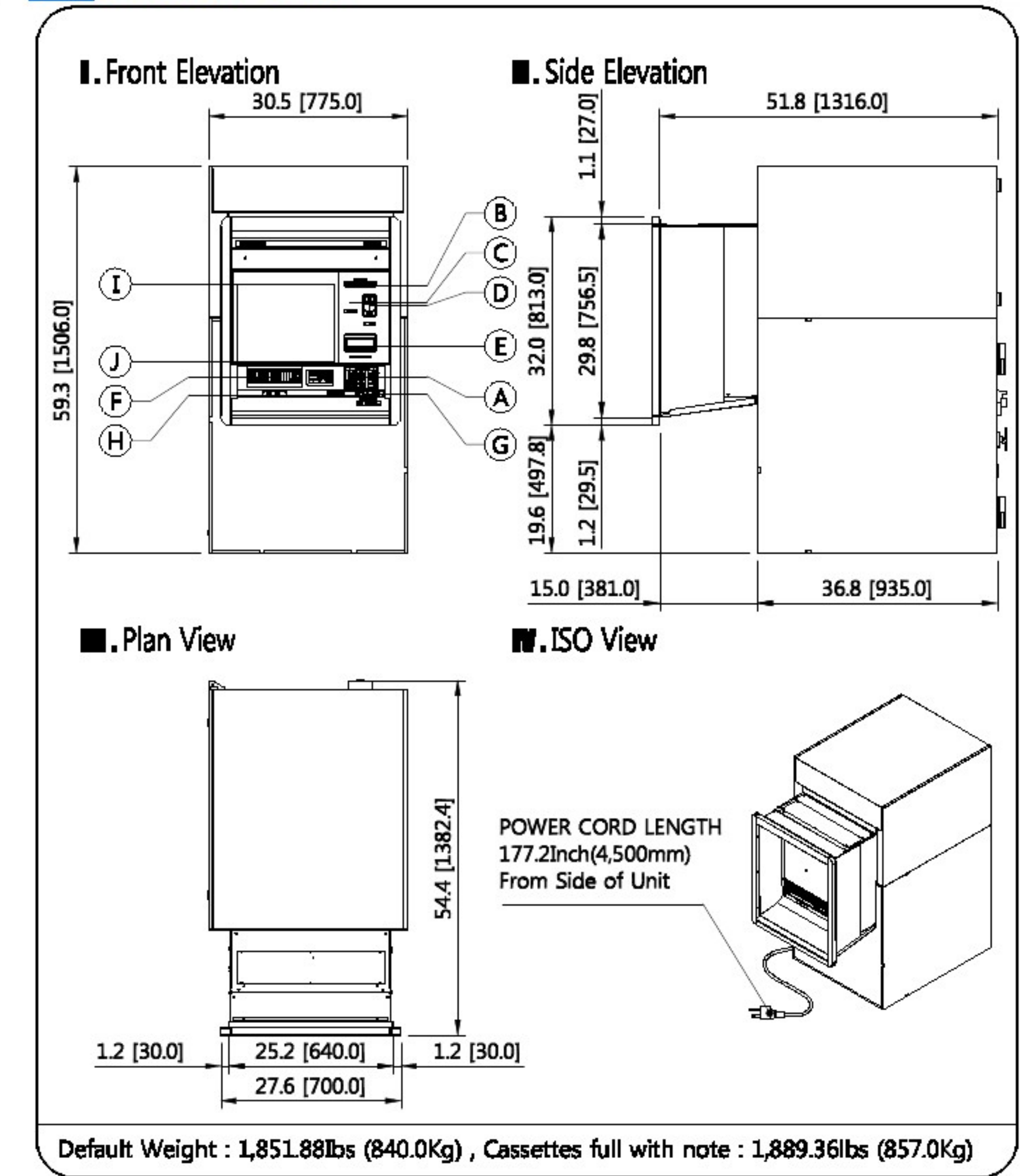
1 Exterior (10" Wall)



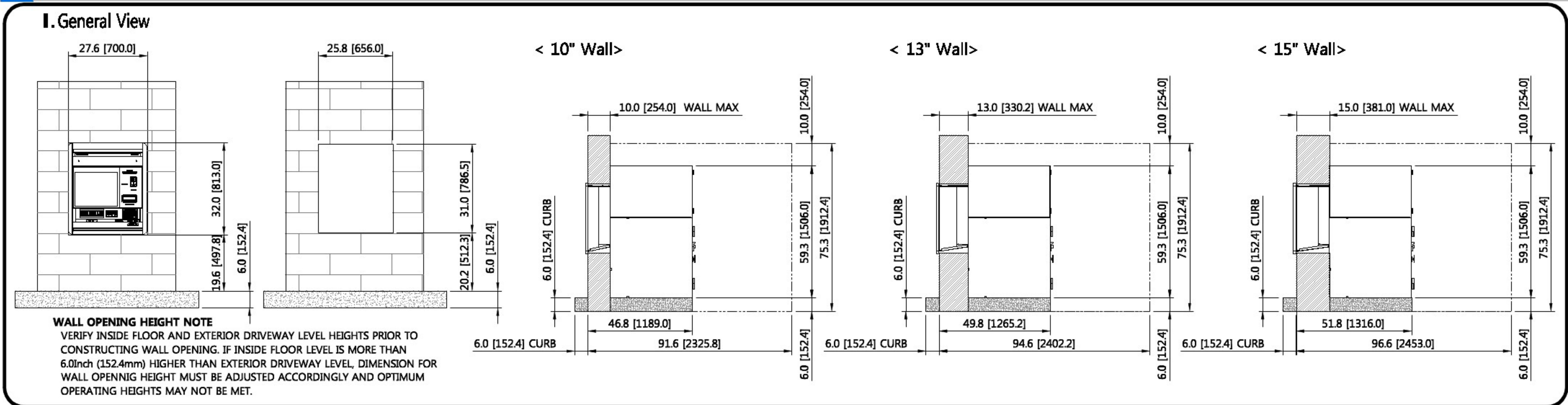
2 Exterior (13" Wall)



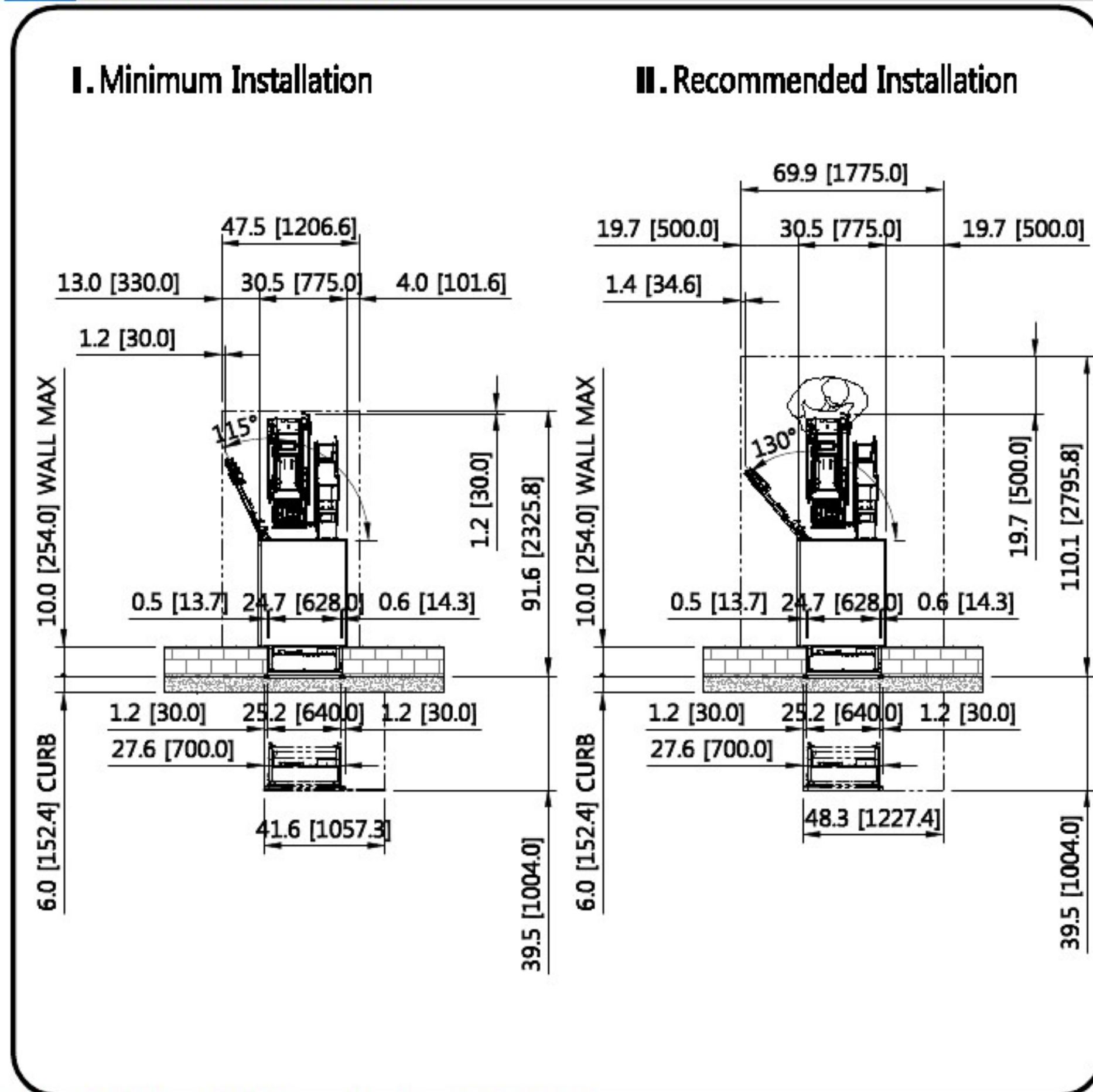
3 Exterior (15" Wall)



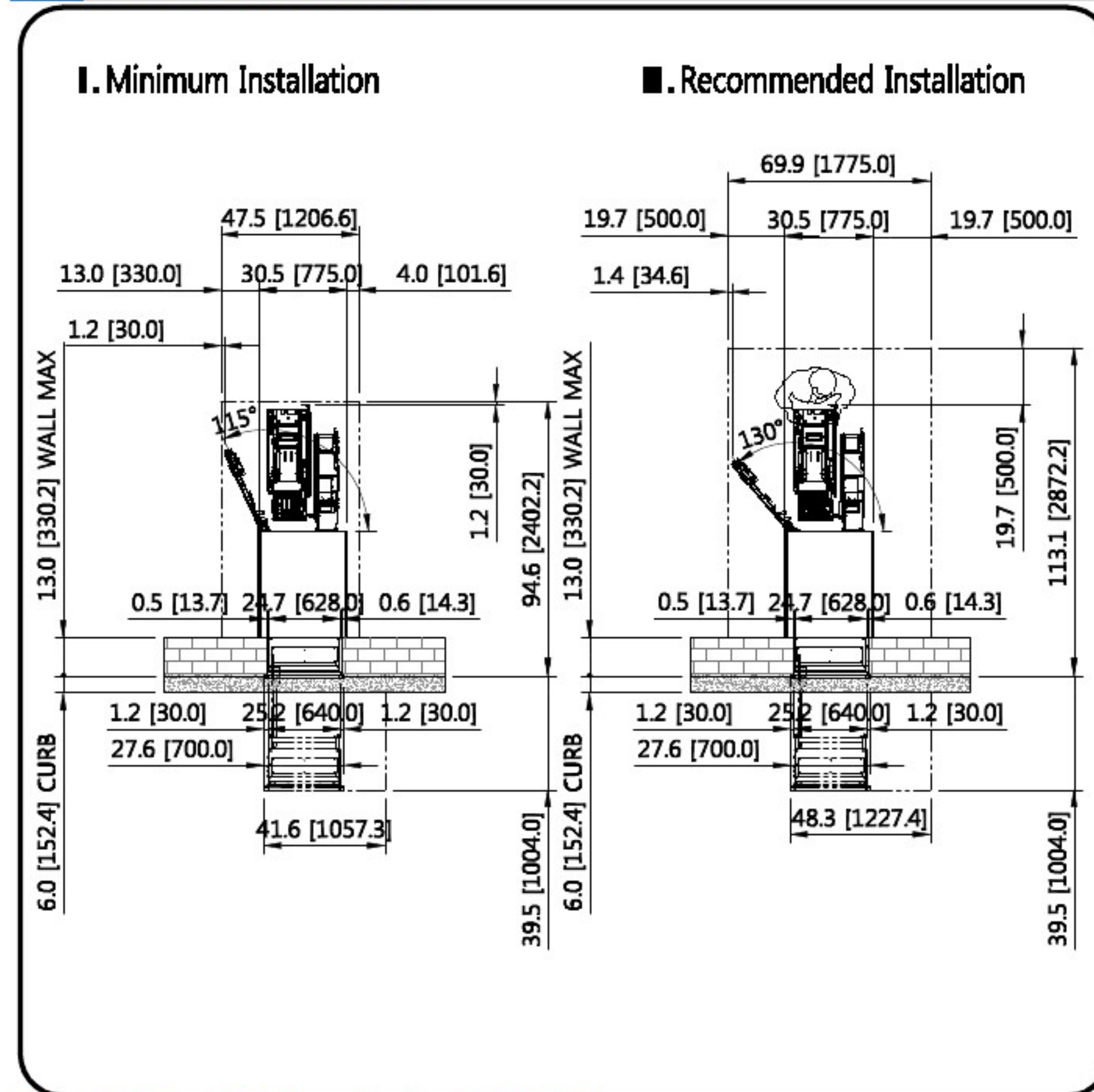
4 Service Area



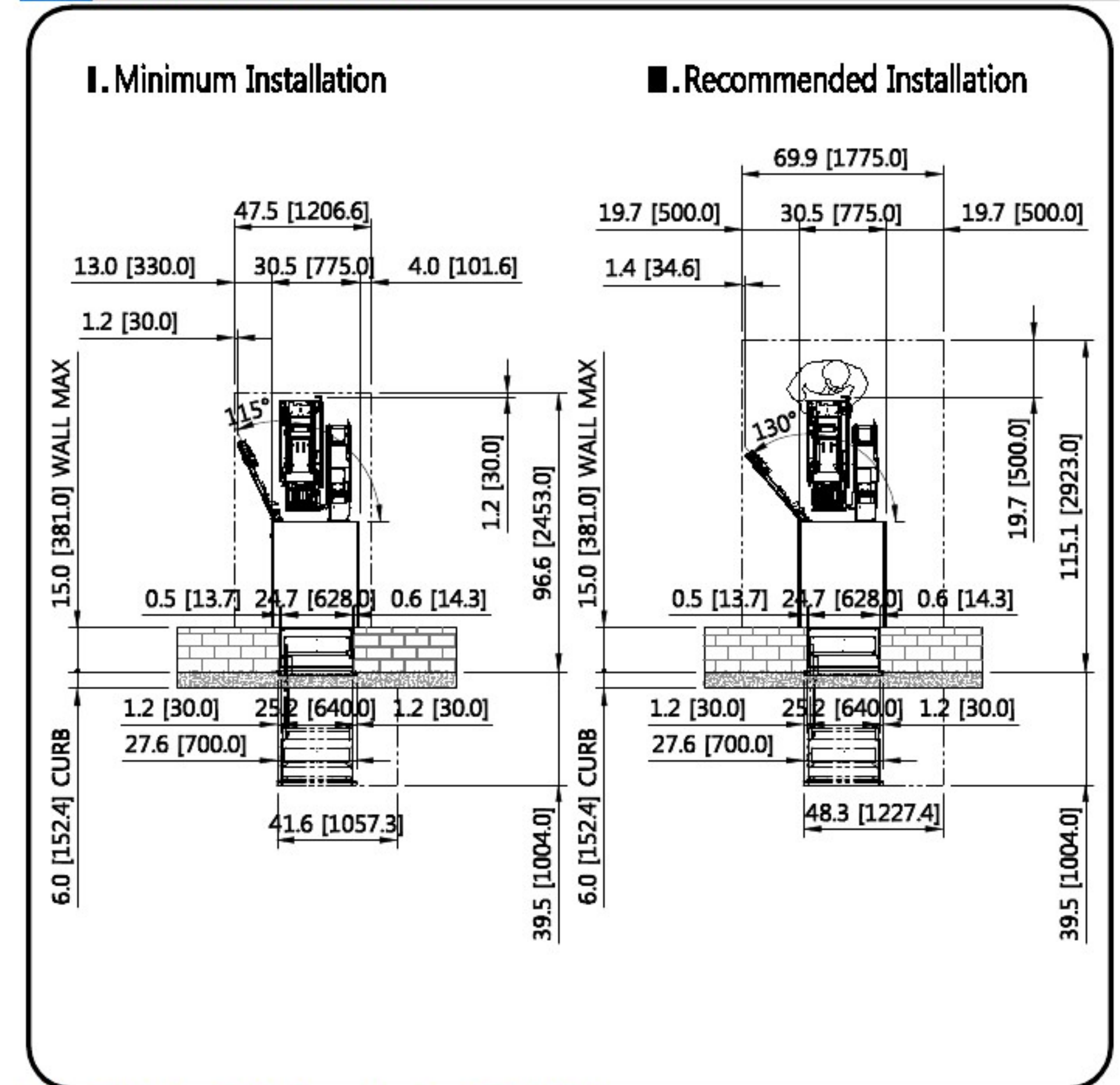
5 Installation (10" Wall)



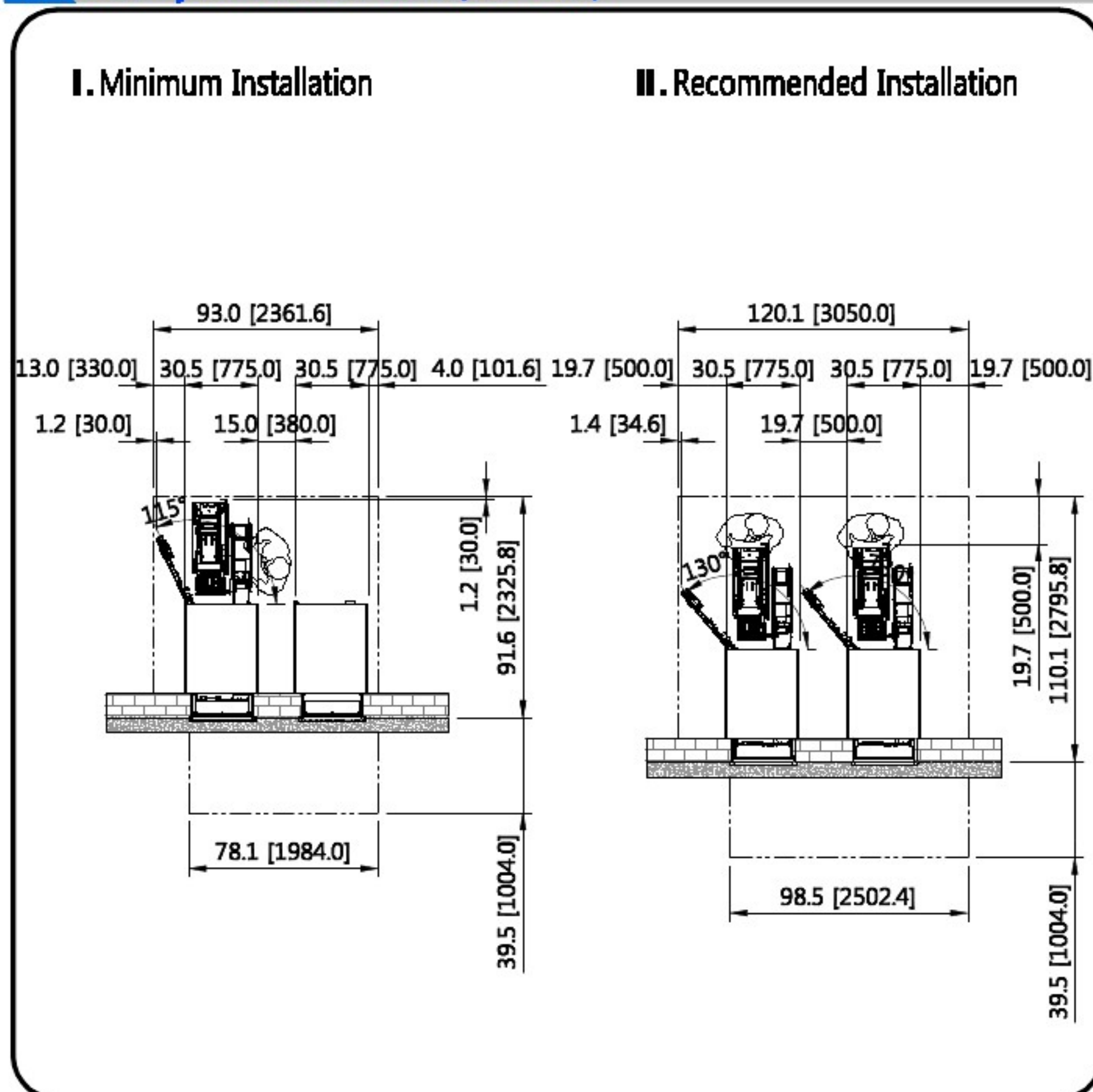
6 Installation (13" Wall)



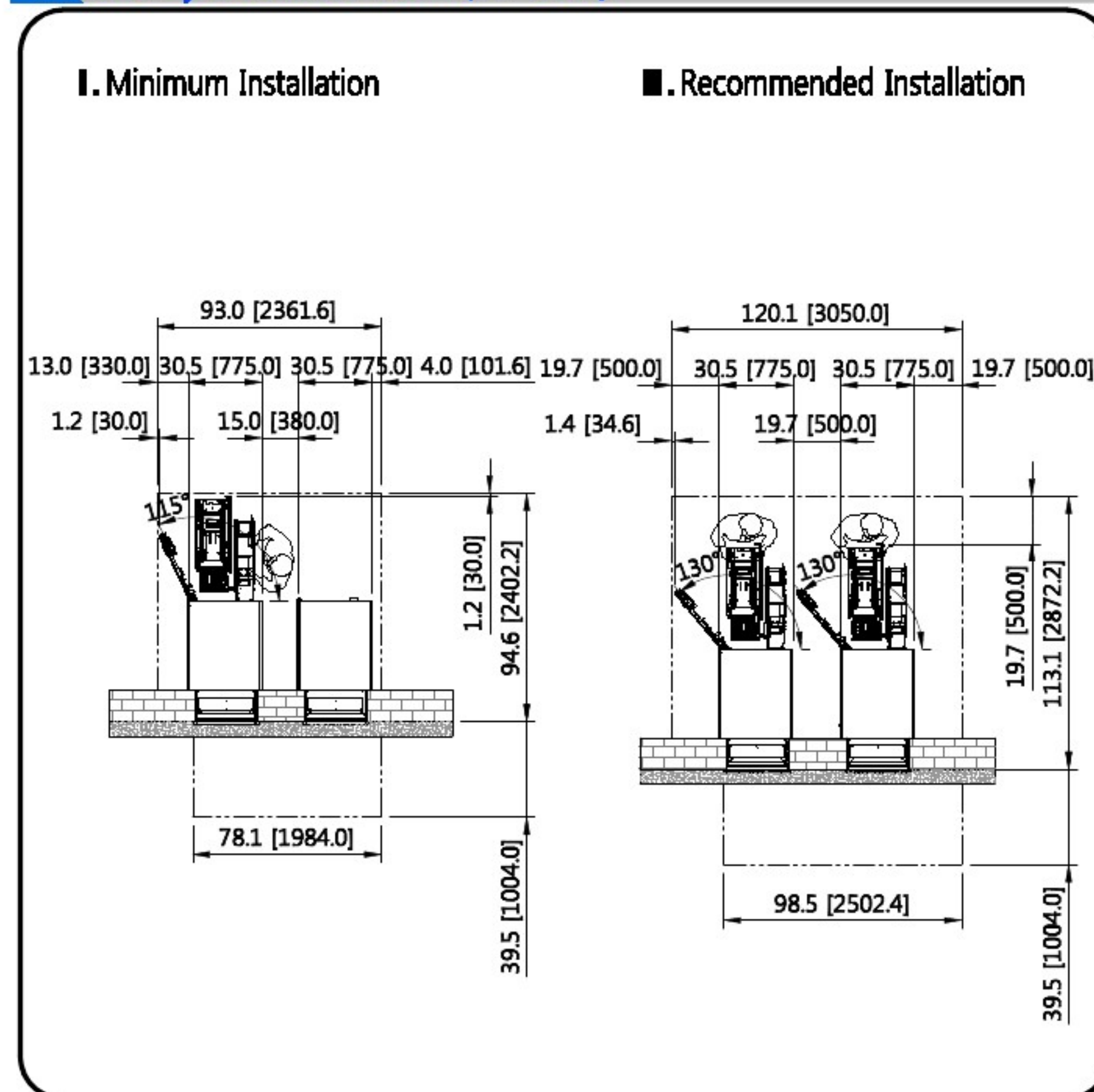
7 Installation (15" Wall)



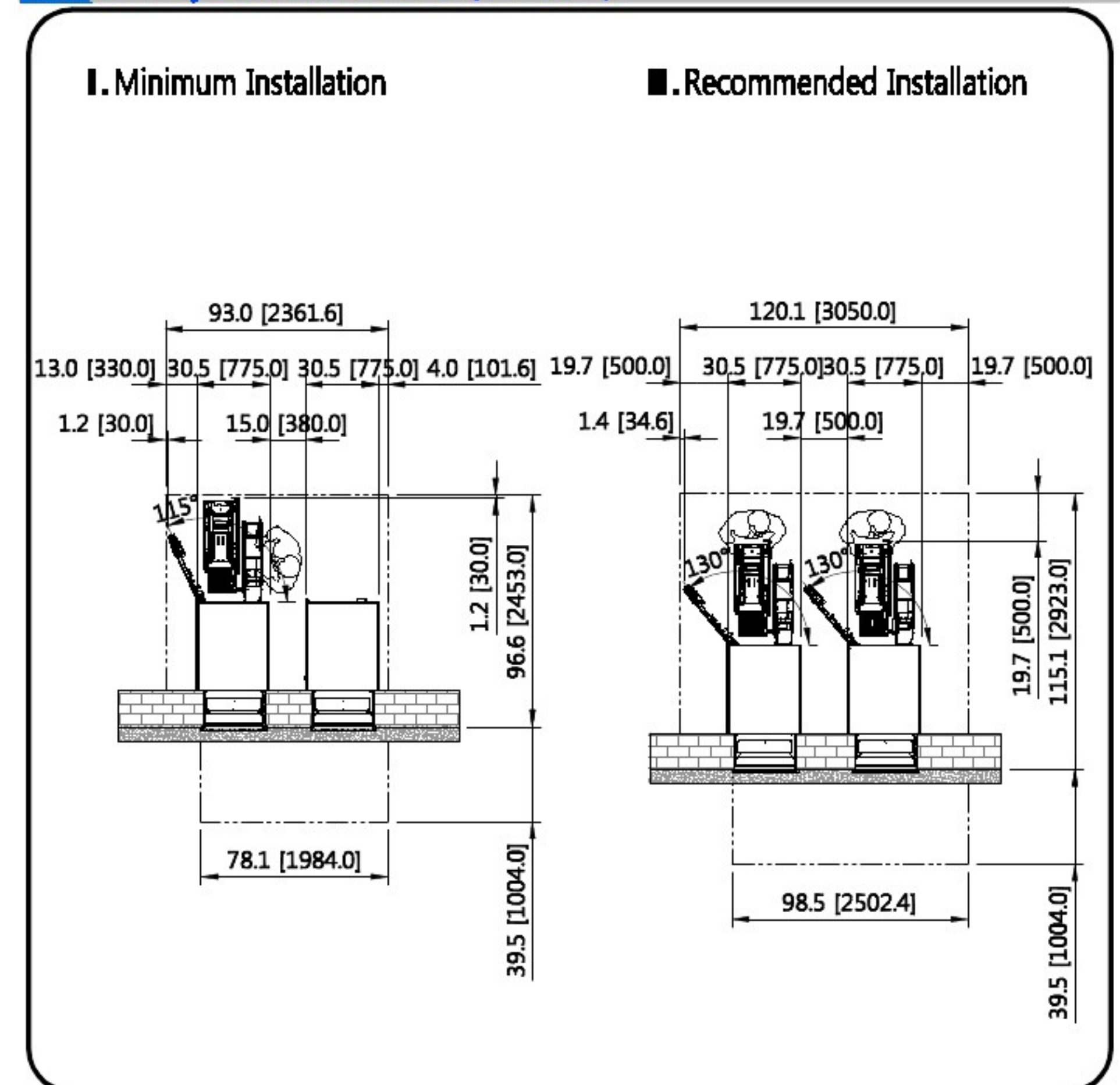
8 Side by Side installation (10" Wall)



9 Side by Side installation (13" Wall)

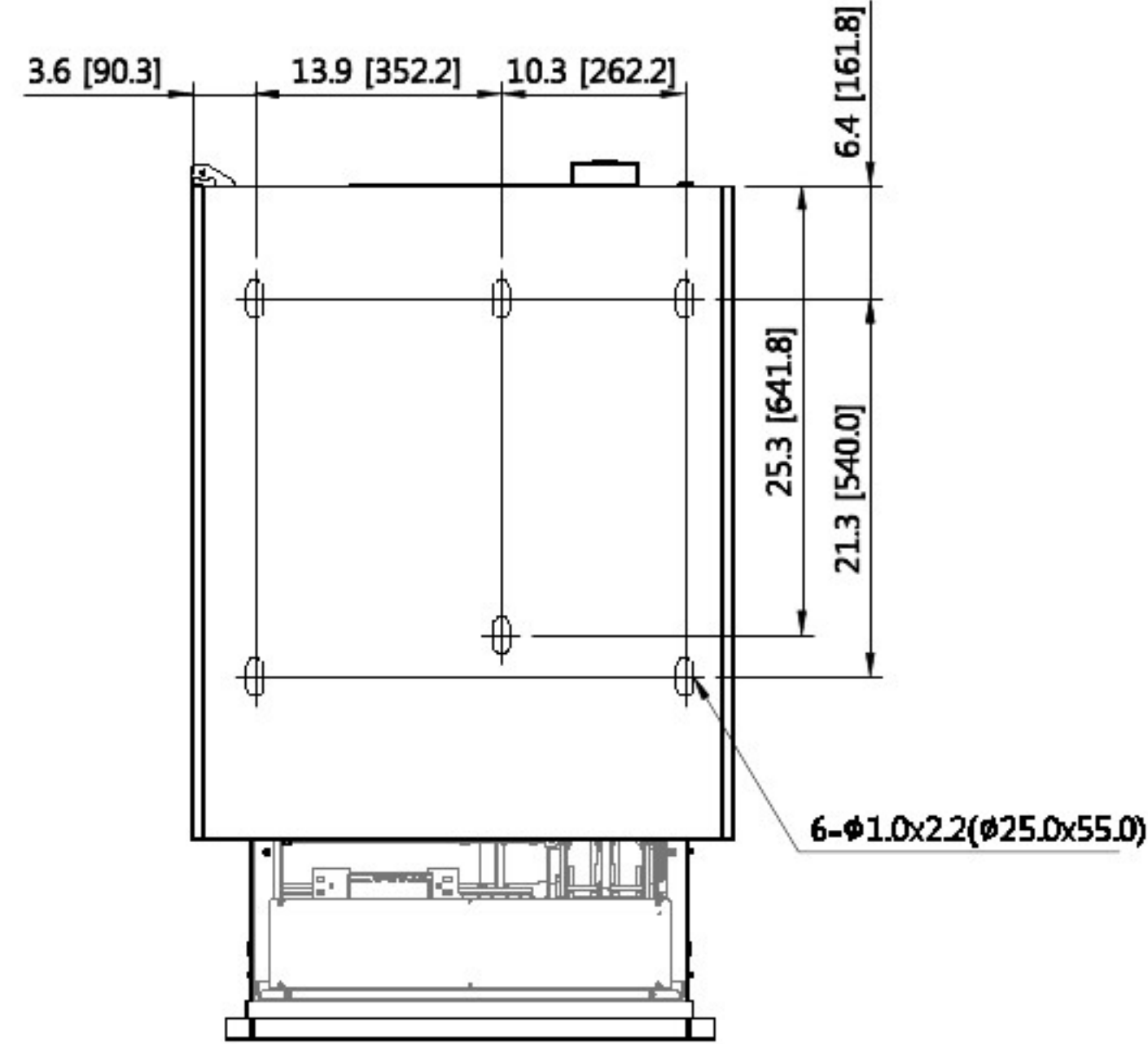


10 Side by Side installation (15" Wall)

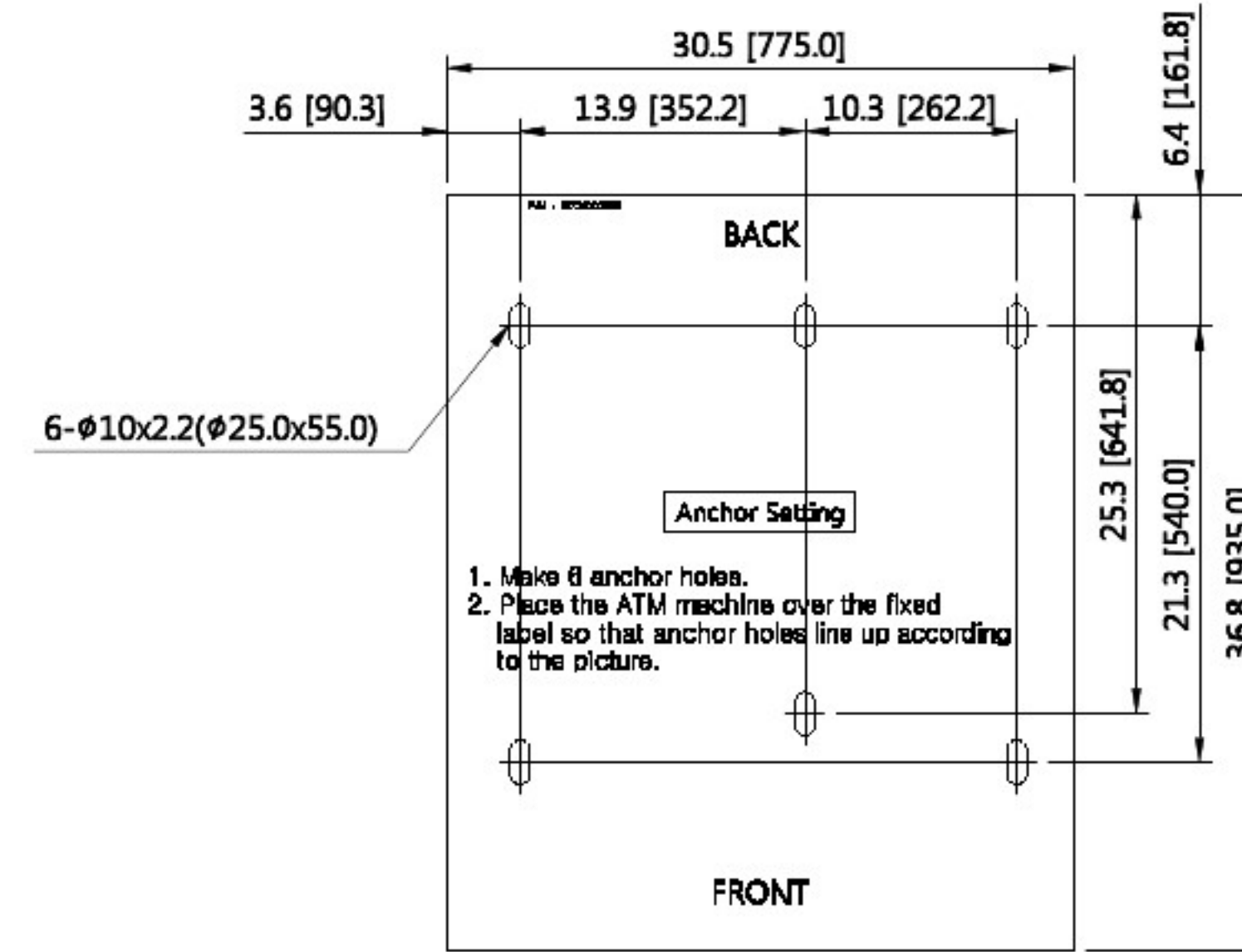


11 Installation Frame

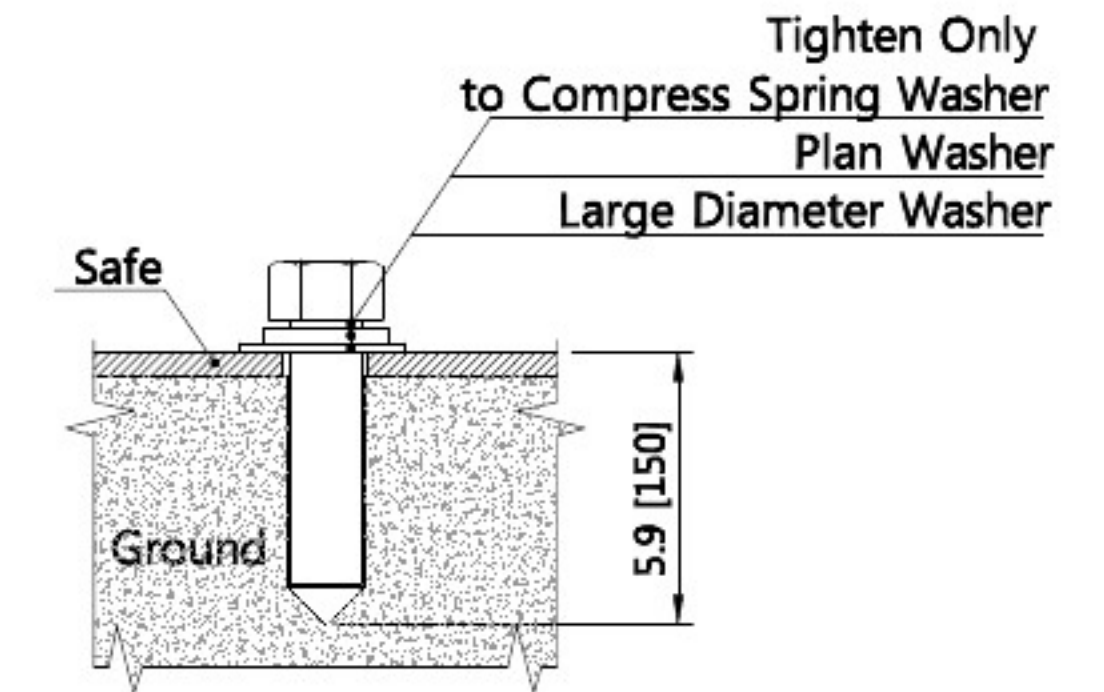
I. Bottom of ATM



II. Anchor Point



III. Anchor Detail



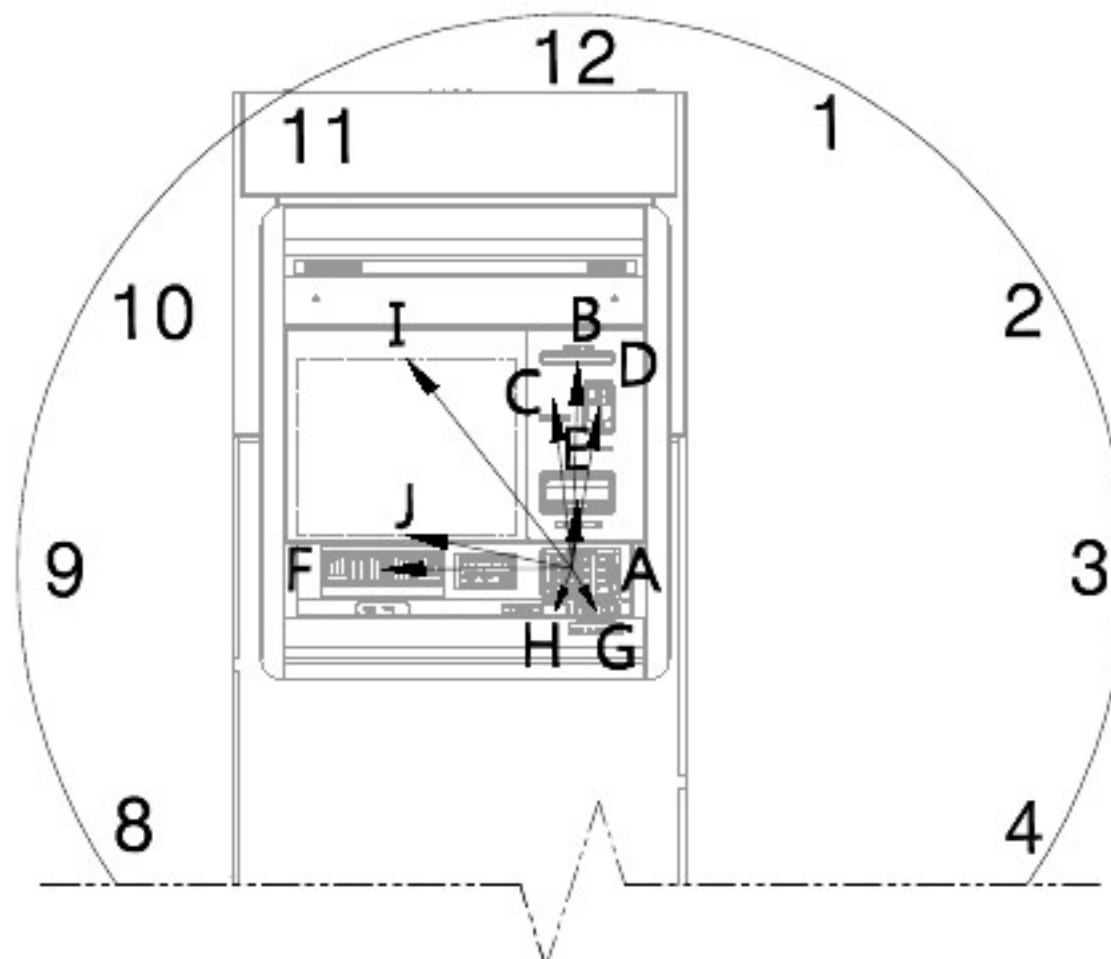
Bolts

- Type-either resin anchor or shield anchor bolts
- Size-5/8 in.(M16)
- Minimum Length-5.9 in.(150mm)
- Strength-high tensile(minimum ISO property class 8.8)

Washers

- Type-flat,steel(as per DIN7349 or equivalent)
- Size-5/8 in.(M16)
- Outer diameter-no greater than 1.58 in.(40mm)
- Minimum thickness-0.2in.(6mm)

12 Access For Device



Device	Height (from base of ATM)	Depth(wall 10") (from front of ATM)	Depth(wall 13") (from front of ATM)	Depth(wall 15") (from front of ATM)	Distance from No.5 Key <3D Distance>	Clock Face Position (Relative to No.5Key)
A Encrypting PIN Pad	27.1inch [689.1mm]	3.7inch [95.2mm]	6.7inch [171.4mm]	8.7inch [222.2mm]	0	0
B Receipt Printer	41.0inch [1040.4mm]	3.8inch [95.4mm]	6.8inch [171.6mm]	8.8inch [222.4mm]	13.8inch [351.4mm]	12
C NFC	38.5inch [978.7mm]	2.5inch [64.8mm]	5.5inch [141.0mm]	7.5inch [191.8mm]	11.5inch [291.2mm]	12
D Card Reader	38.0inch [964.8mm]	3.3inch [84.0mm]	6.3inch [160.2mm]	8.3inch [211.0mm]	11.1inch [281.5mm]	12
E Cash/Check Insert Module	31.8inch [807.9mm]	3.9inch [98.7mm]	6.9inch [174.9mm]	8.9inch [225.7mm]	4.7inch [120.0mm]	12
F Bill Recycling Module	27.1inch [687.4mm]	4.6inch [117.9mm]	7.6inch [194.1mm]	9.6inch [244.9mm]	12.8inch [323.9mm]	9
G Earphone Jack	24.4inch [619.7mm]	3.9inch [98.8mm]	6.9inch [175.0mm]	8.9inch [225.8mm]	3.2inch [80.5mm]	5
H BARCODE	24.3inch [617.5mm]	4.0inch [101.1mm]	7.0inch [177.3mm]	9.0inch [228.1mm]	3.1inch [77.6mm]	9
I Screen Top	41.3inch [1049.0mm]	3.9inch [99.7mm]	6.9inch [175.9mm]	8.9inch [226.7mm]	18.0inch [458.1mm]	11
J Screen Bottom	29.4inch [746.9mm]	3.9inch [99.7mm]	6.9inch [175.9mm]	8.9inch [226.7mm]	11.4inch [289.3mm]	9

13 Power Requirements

I. The power for the site

- 100~127Vac(±10%), at 50/60(±3)Hz, Single-phase

II. Power Consumption

- Idle HEATER OFF : 204 W HEATER ON : 496 W
- Transaction (Max) HEATER OFF : 346 W HEATER ON : 610 W

III. Thermal Output

- Idle HEATER OFF : 696.1 BTU/hr HEATER ON : 1692.4 BTU/hr
- Transaction (Max) HEATER OFF : 1180.6 BTU/hr HEATER ON : 2081.4 BTU/hr

IV. Environmental Conditions:

- Temperature: 32°F - 104°F (0°C ~ 40°C)
- Humidity 25% - 85%

"Note 1: MX8300D ATM must have a dedicated 20A service"

The power use depends on the number and type of devices present in the recycler/dispenser and the type of transaction the recycler/dispenser is performing

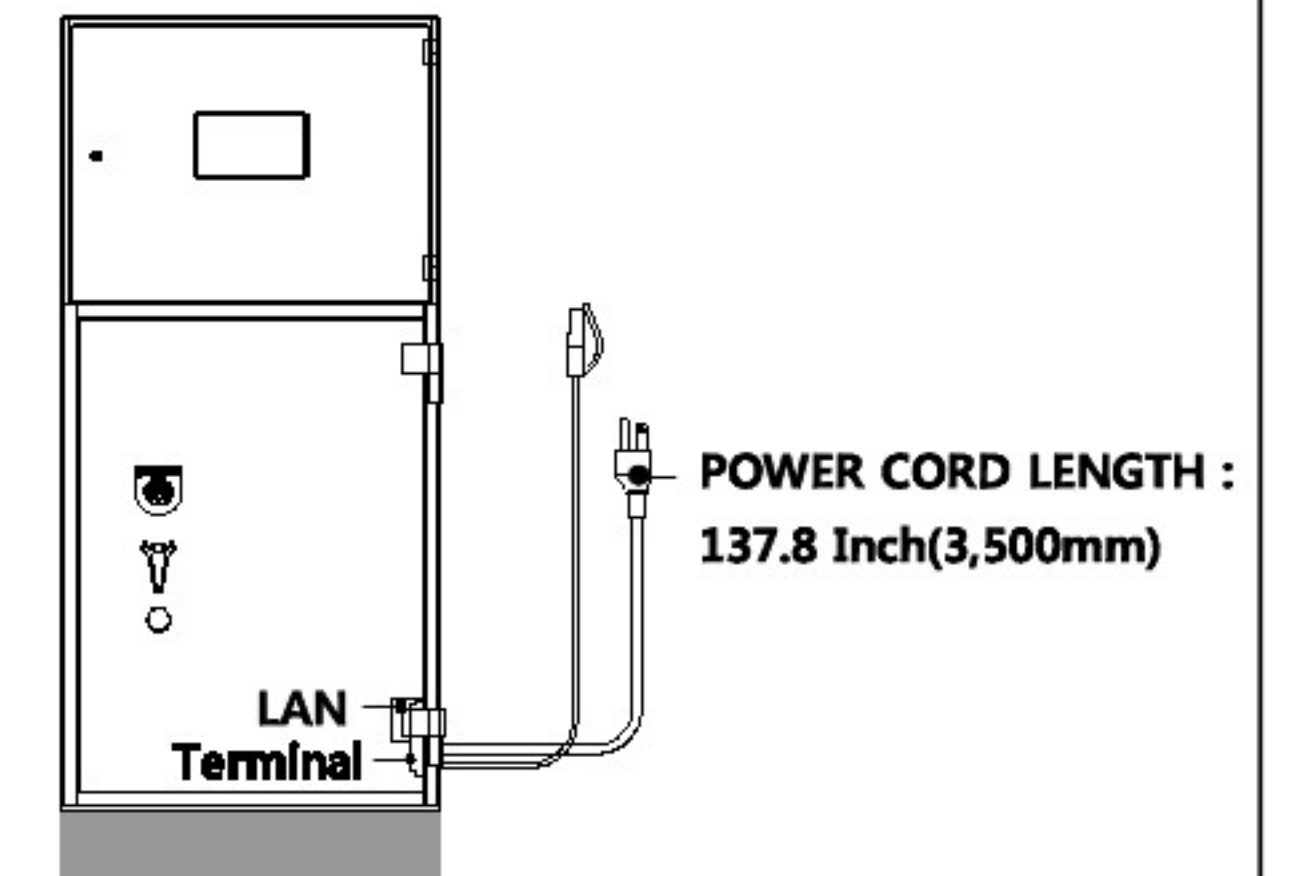
14 Installation Guide

PHYSICAL SECURITY

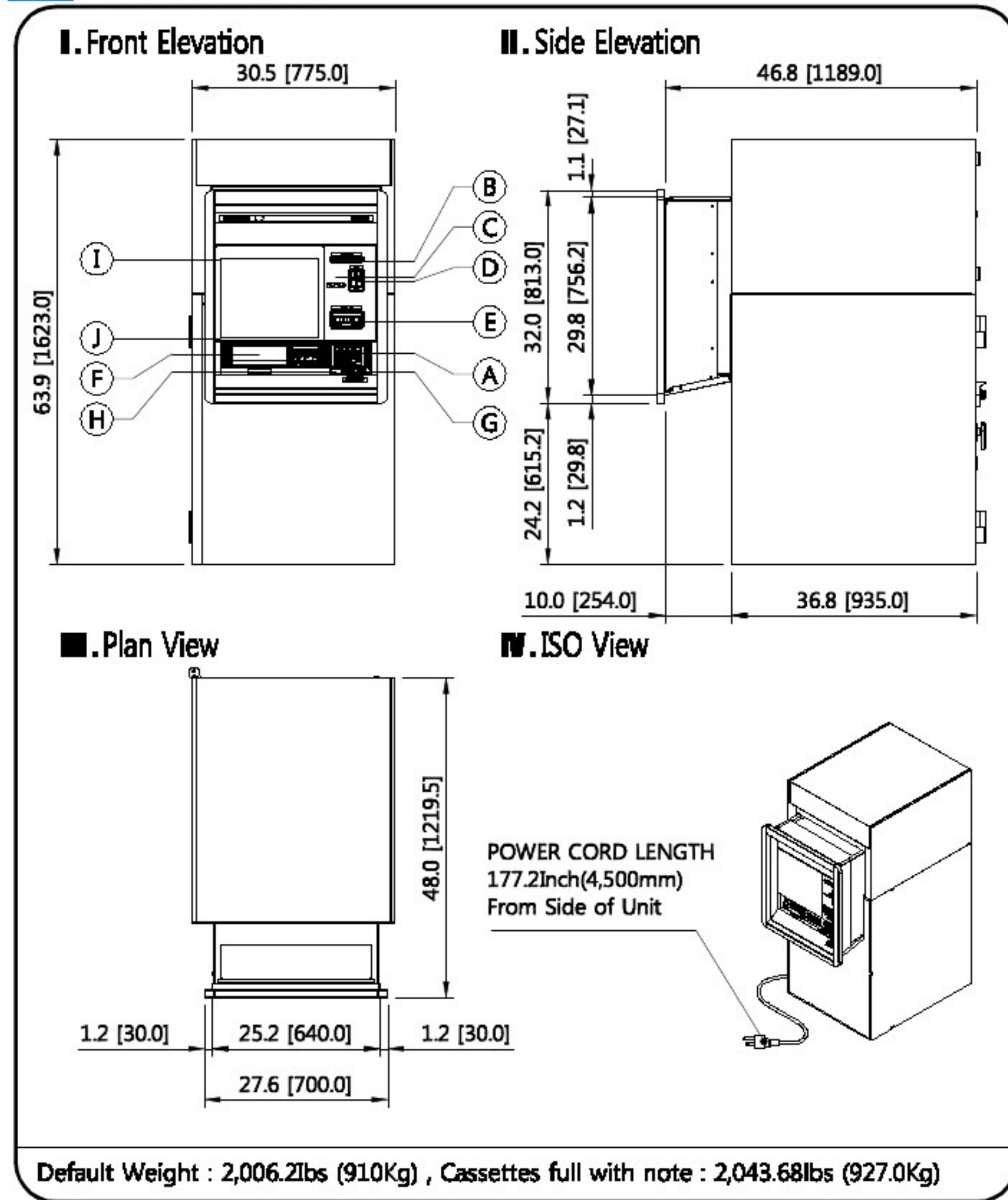
THE SECURITY SAFE MEETS THE ATTACK TEST PER UL 291. THE SAFE DOOR HAS A POSITIVE RELOCKING FEATURE. THE SAFE DOOR SHOULD BE CONTROLLED BY A MINIMUM OF A GROUP 2M UL LISTED COMBINATION LOCK WITH OR WITHOUT KEYLOCKING DIAL CAPABILITY OR OPTIONAL ELECTRONIC LOCK.

ALARM PROTECTION

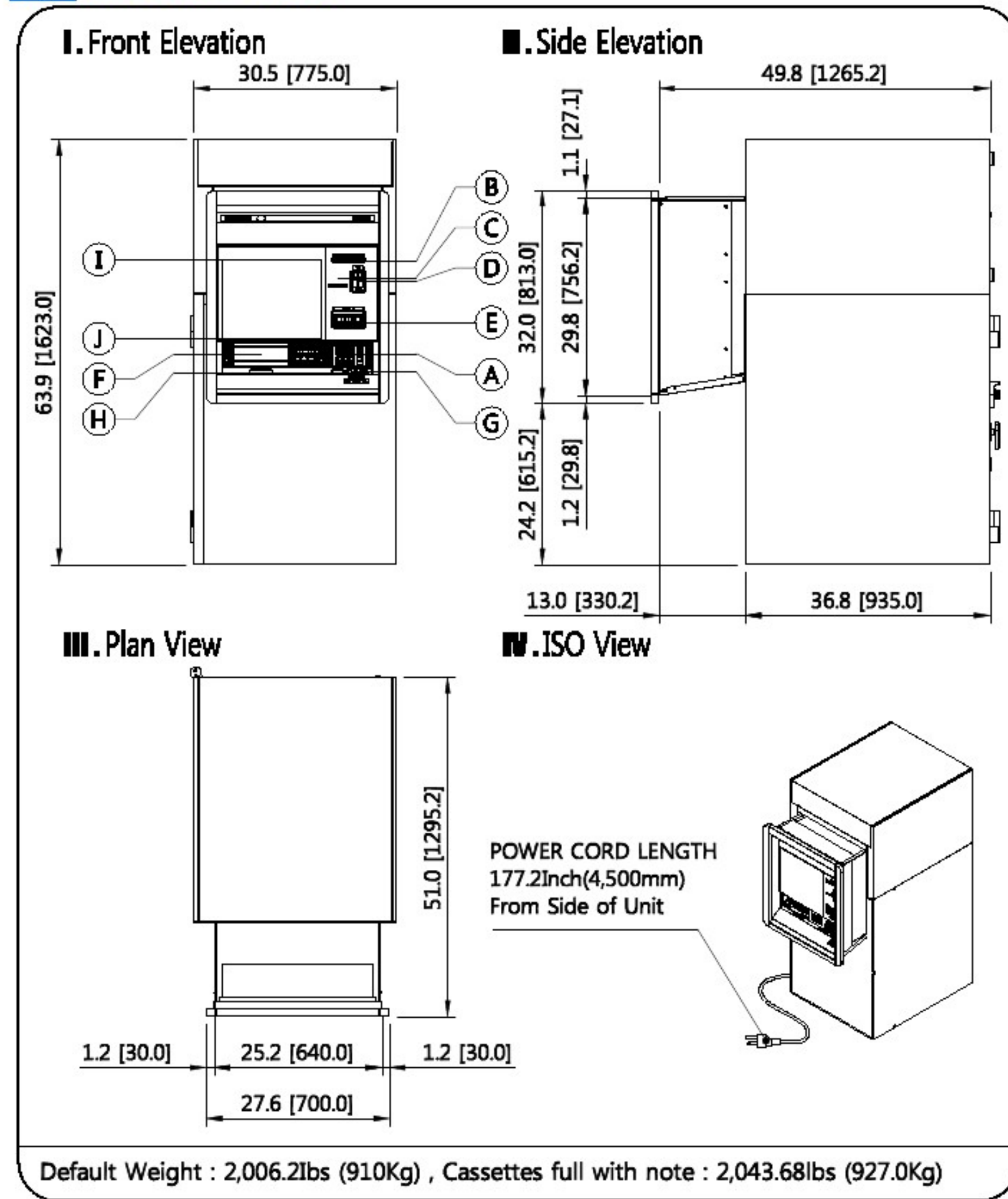
THE UL-LISTED SAFE IS EQUIPPED WITH A BASIC ALARM SENSOR. IT IS INCLUDED SAFE DOOR OPEN SWITCH, BASIC ALARM & HEAT SENSOR. IF INSTALL SHUNTING LOCK WITH SAFE DOOR, IT IS AVAILABLE SHUNTING ALARM SWITCH.



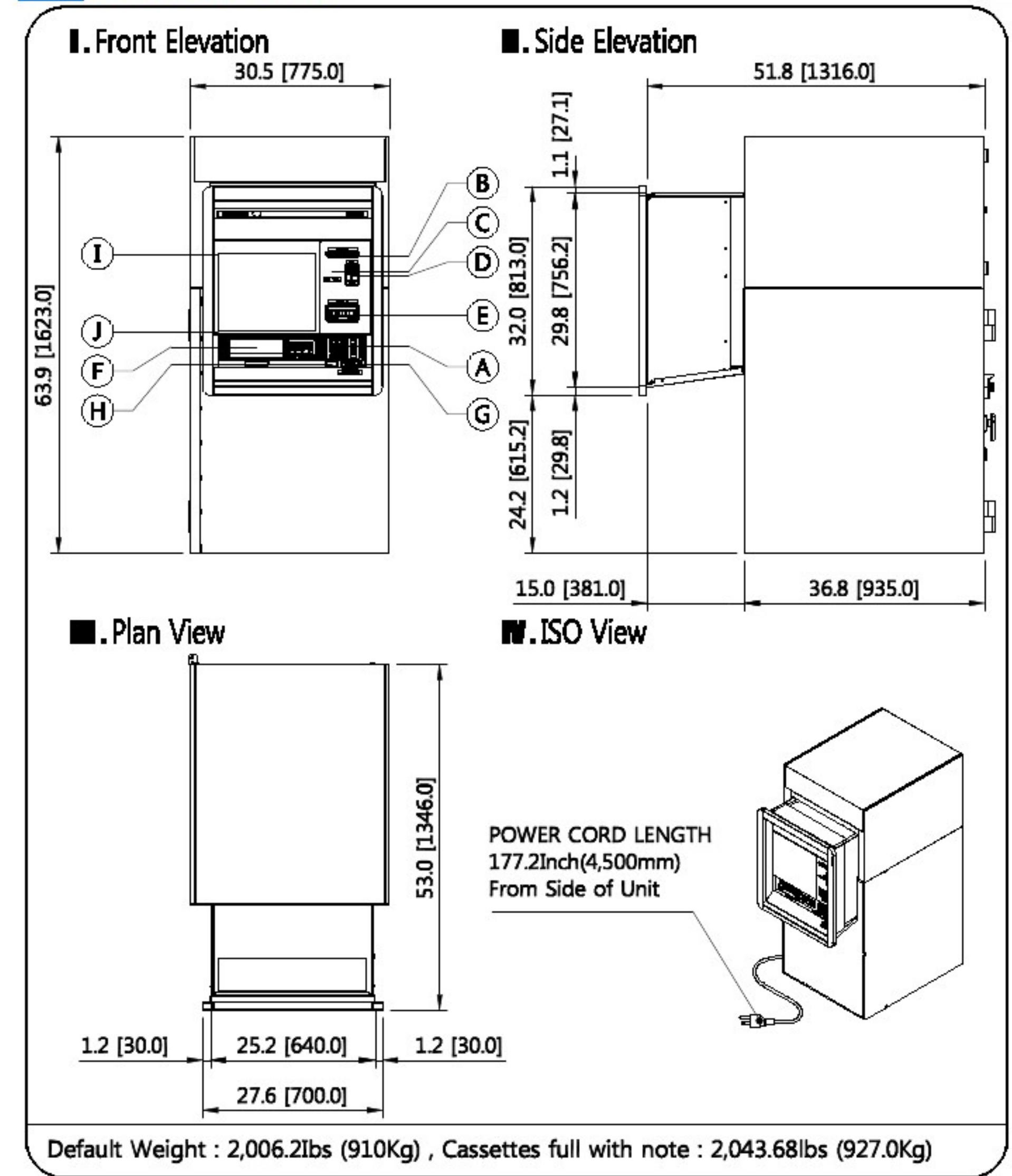
1 Exterior (10" Wall)



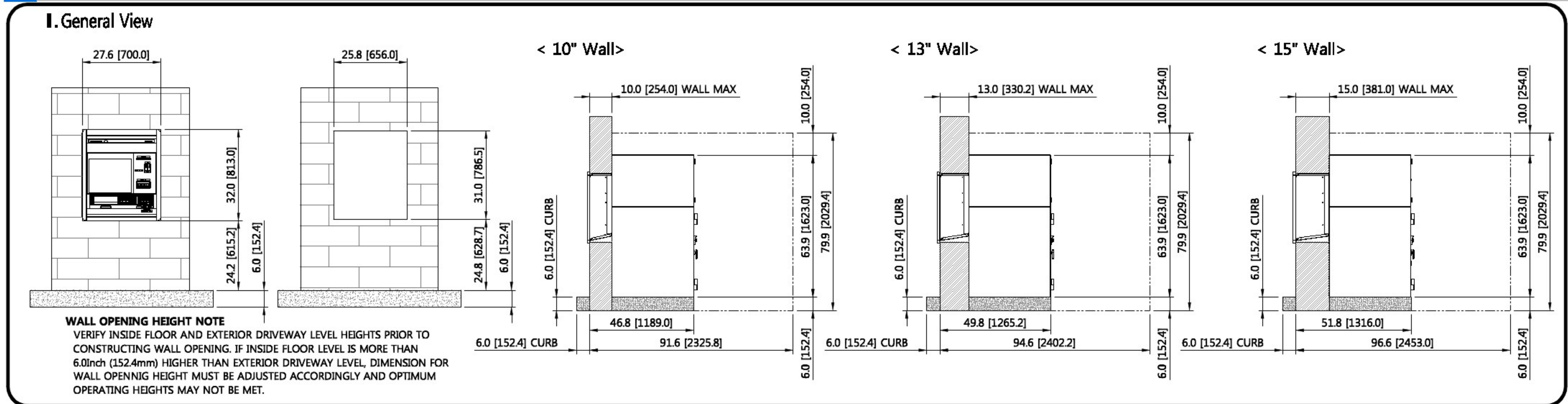
2 Exterior (13" Wall)



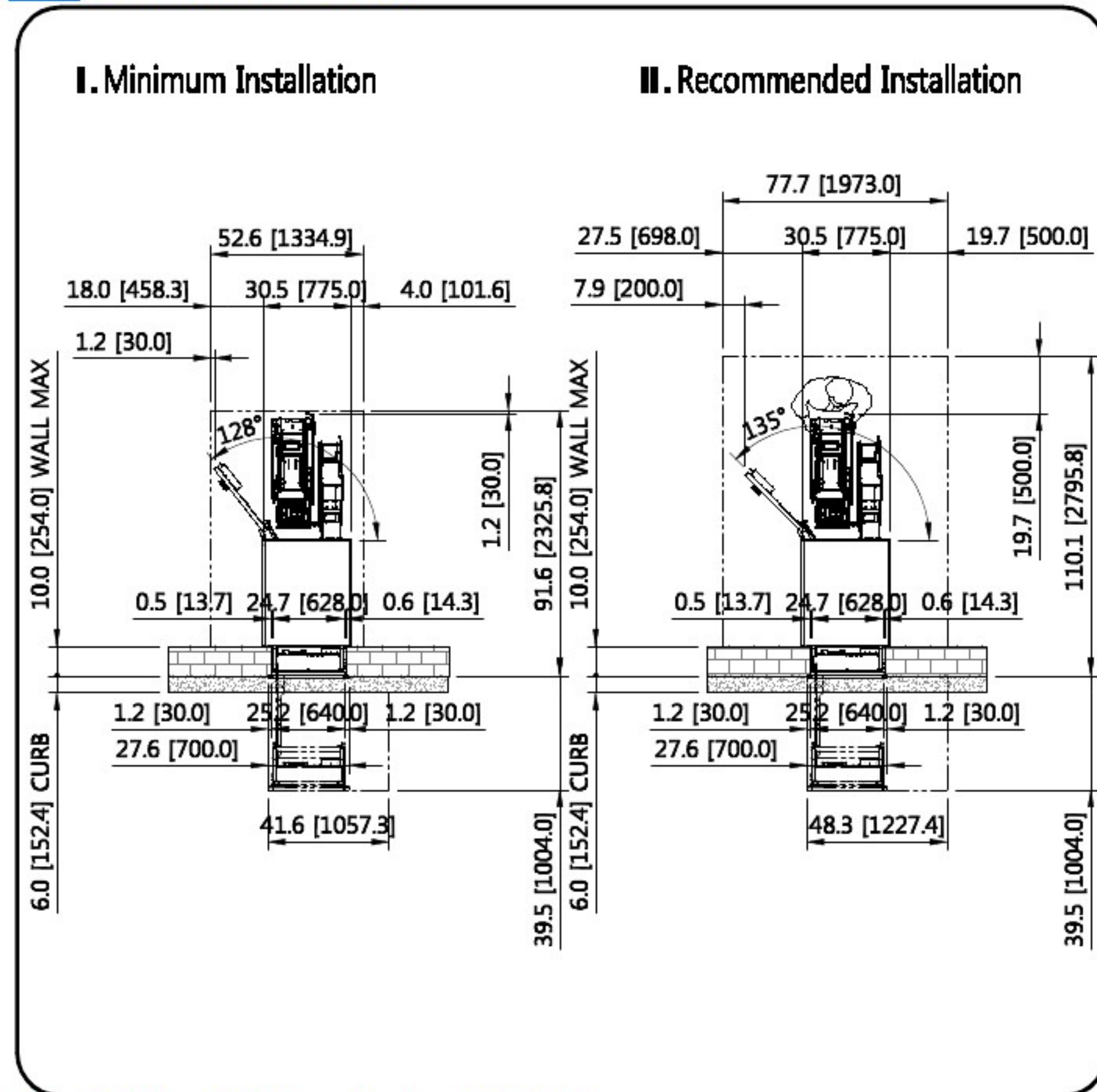
3 Exterior (15" Wall)



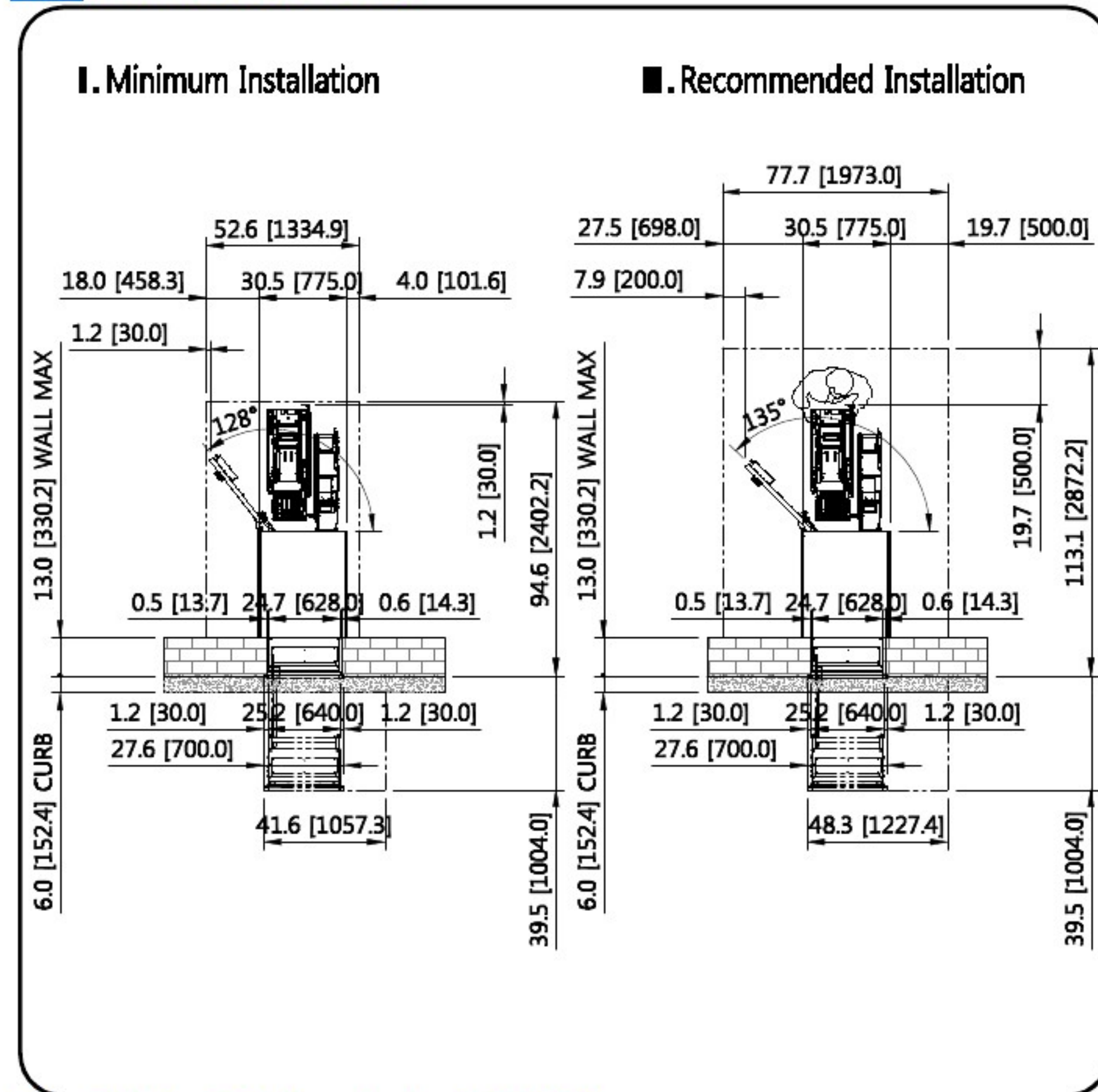
4 Service Area



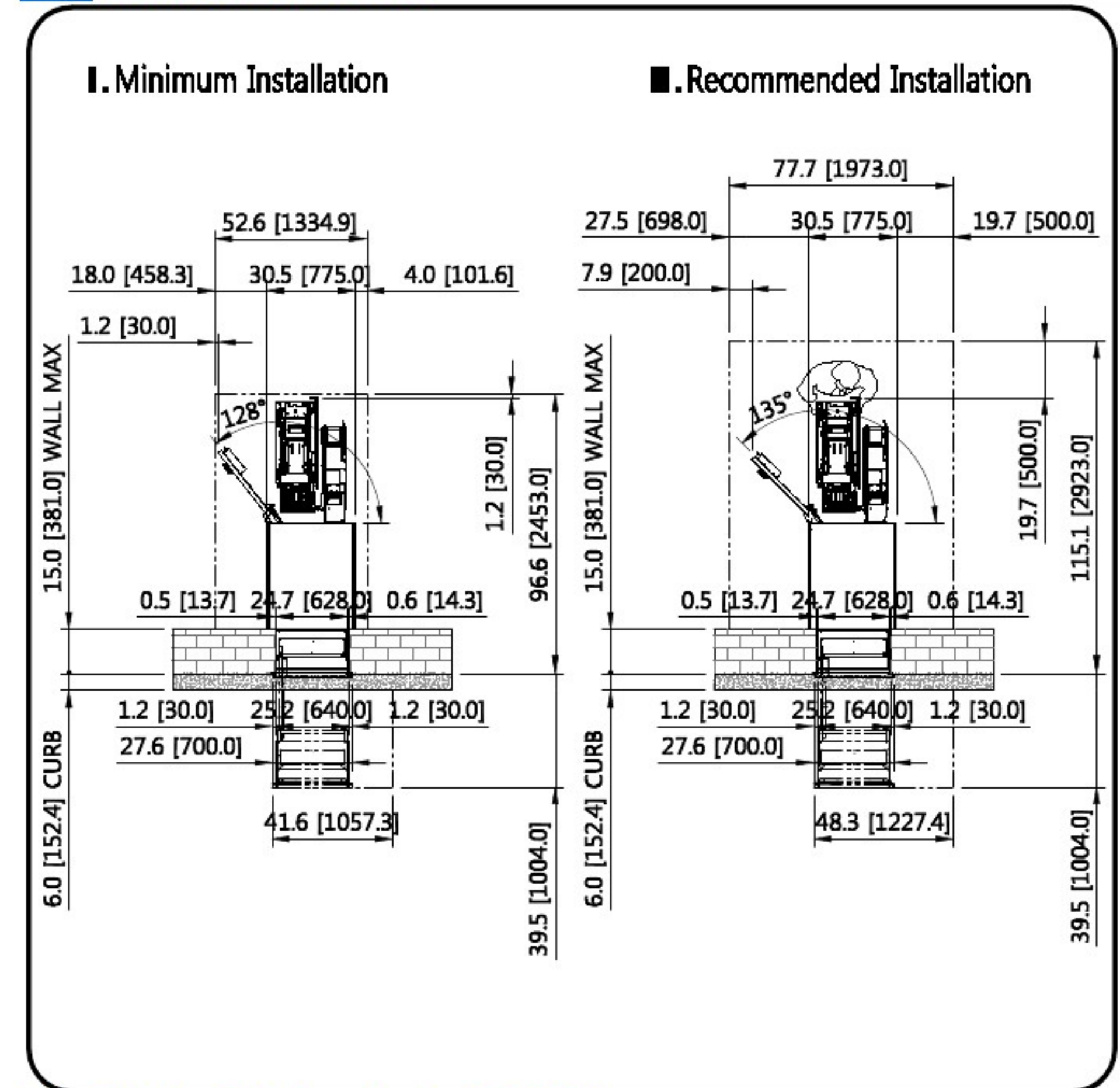
5 Installation (10" Wall)



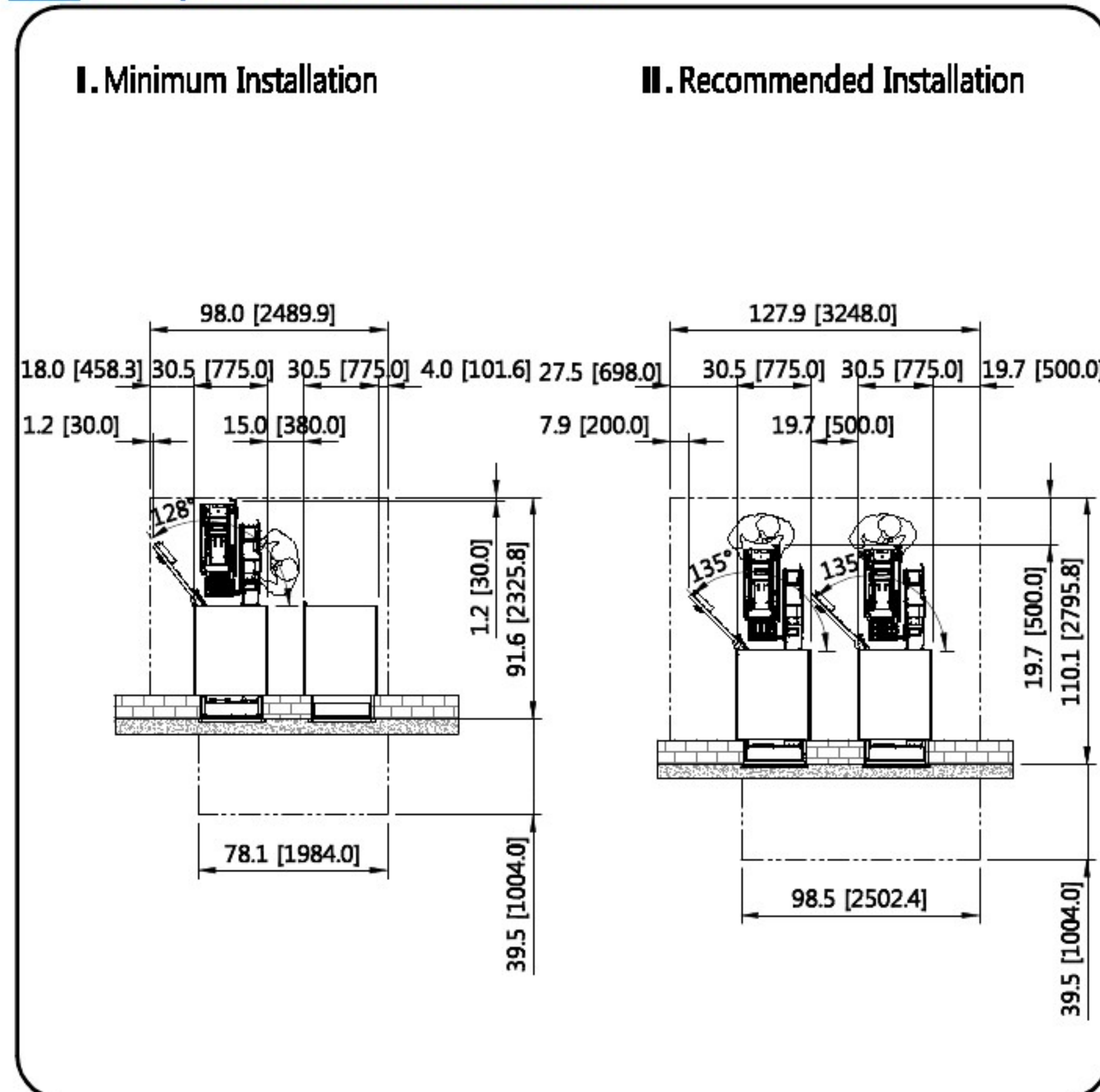
6 Installation (13" Wall)



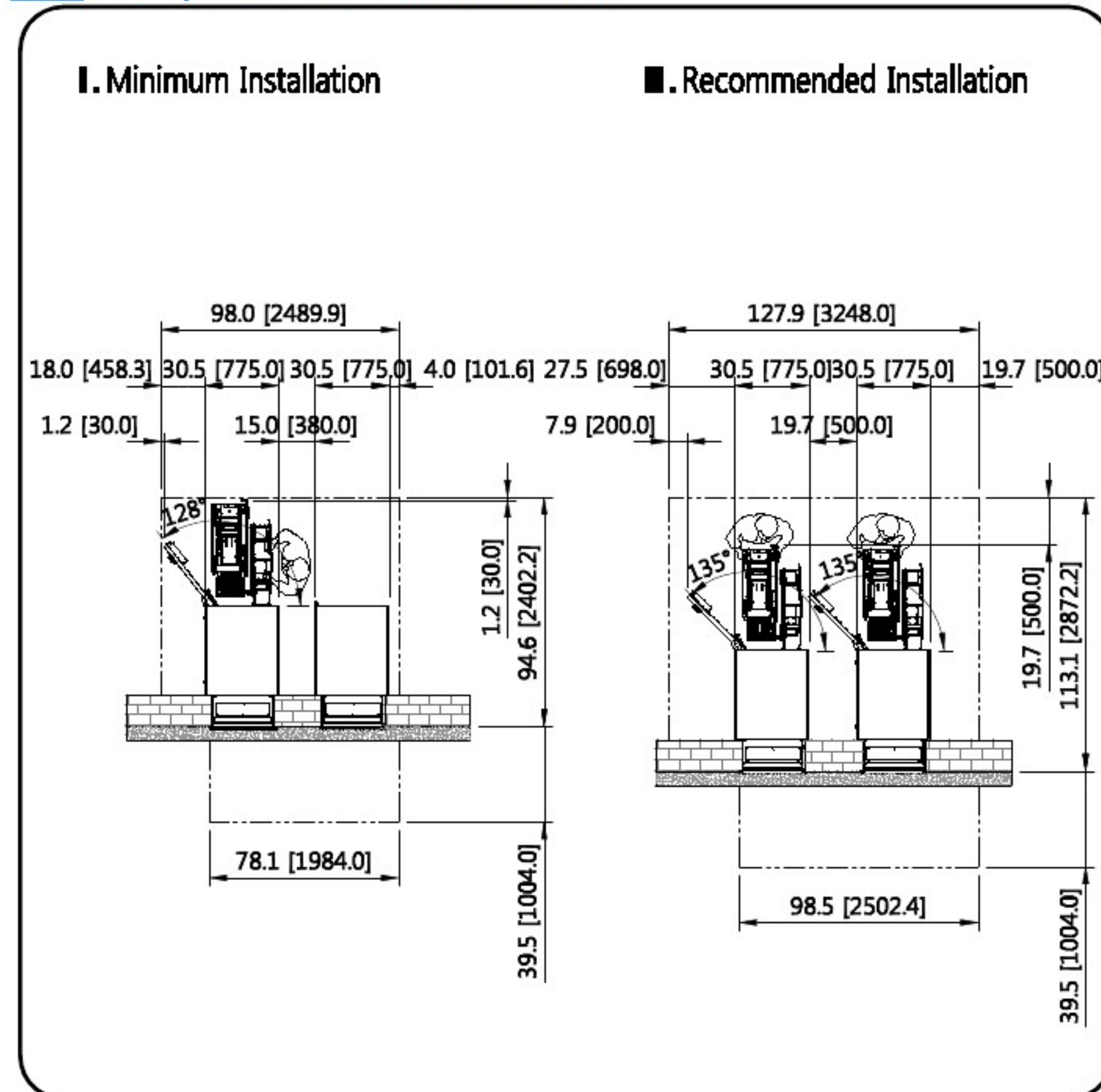
7 Installation (15" Wall)



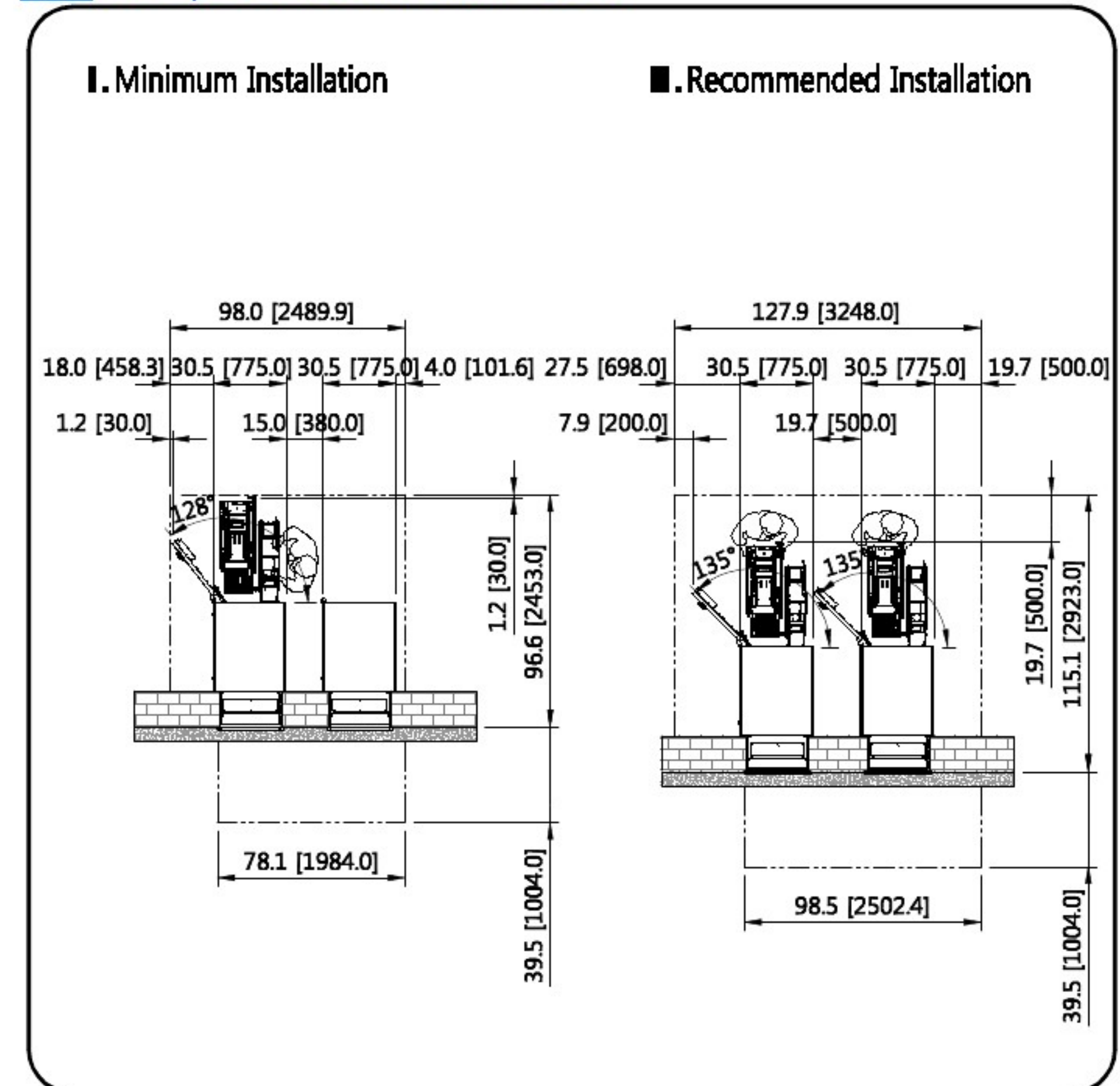
8 Side by Side installation (10" Wall)



9 Side by Side installation (13" Wall)

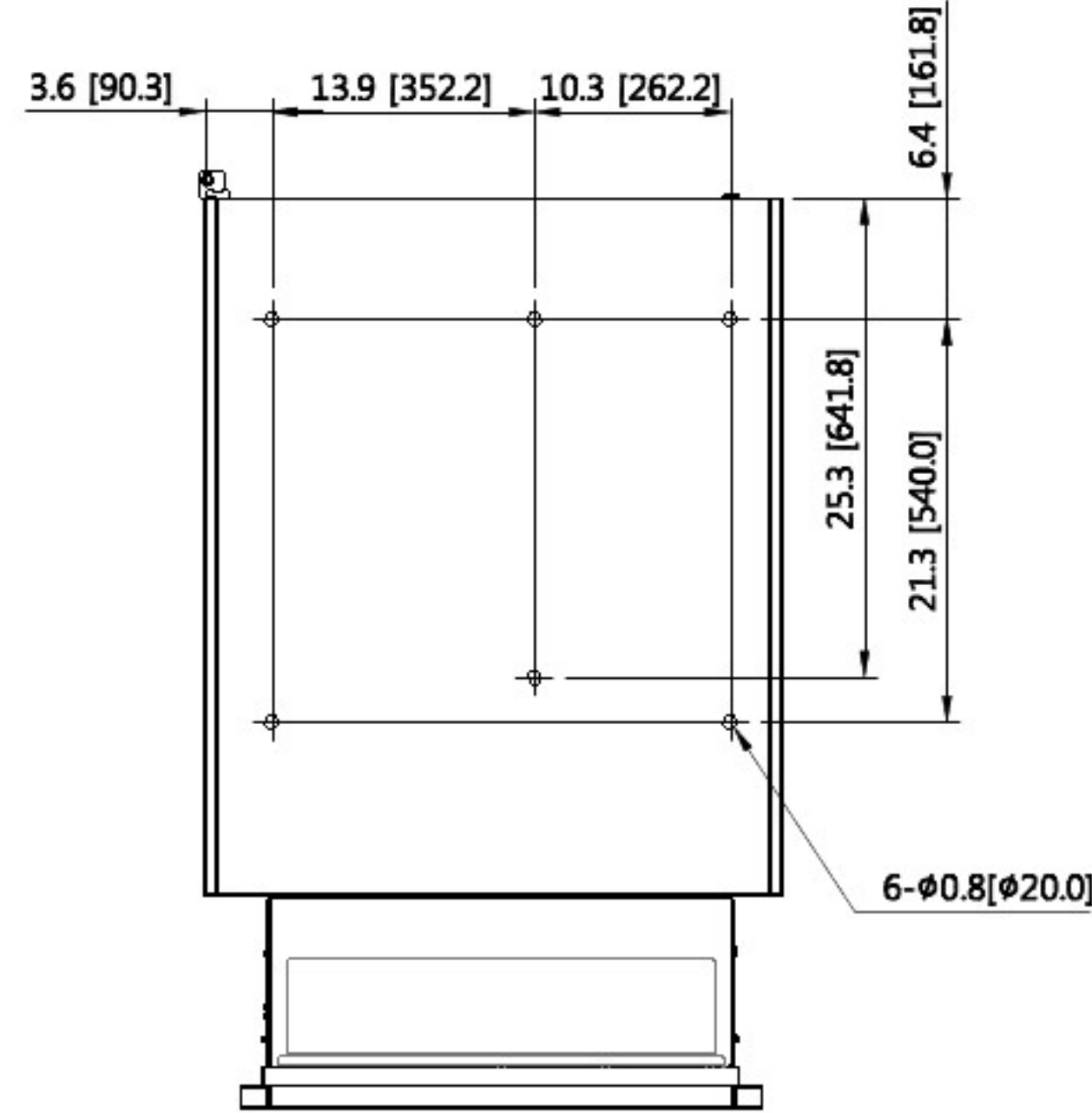


10 Side by Side installation (15" Wall)

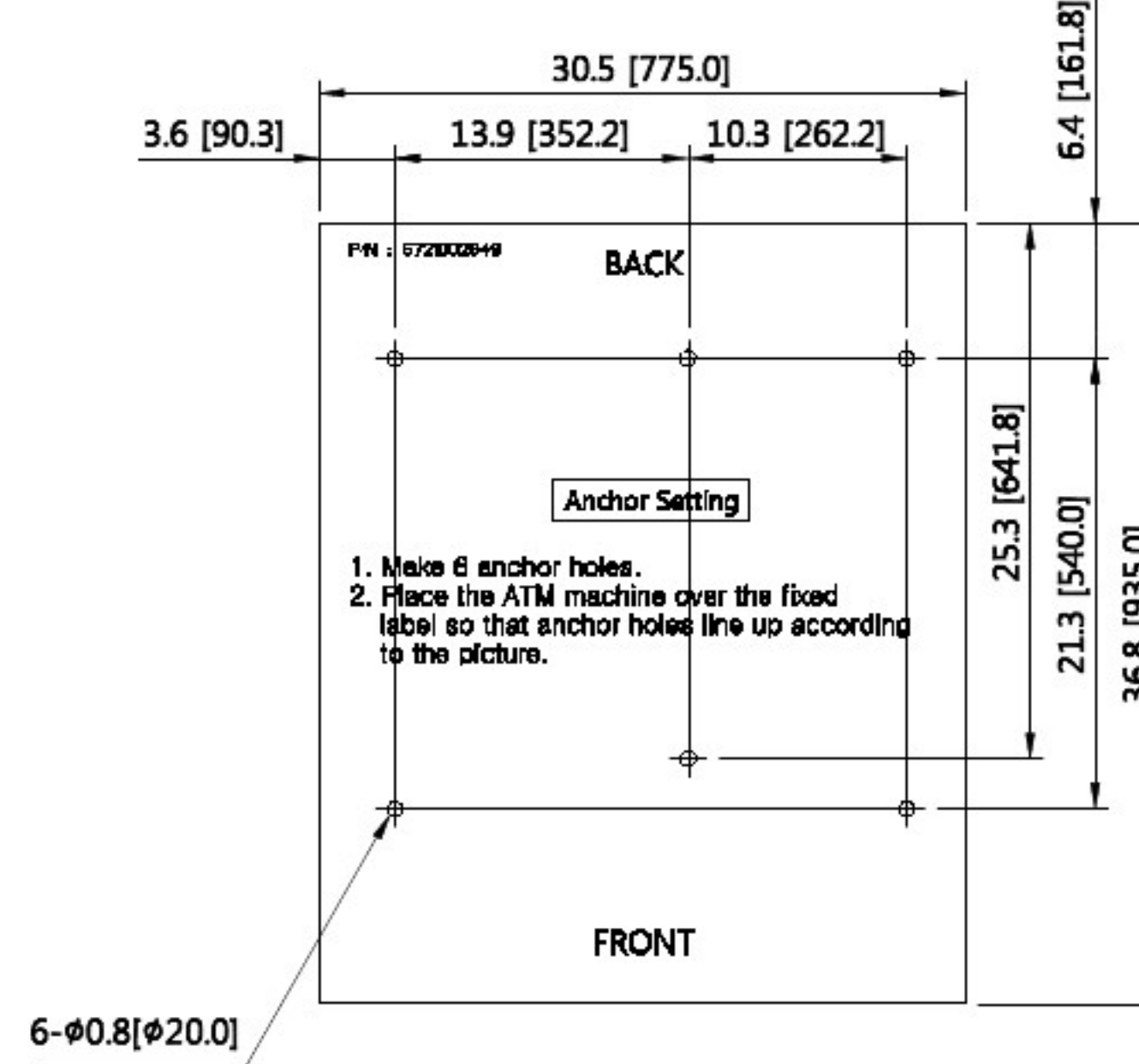


11 Installation Frame

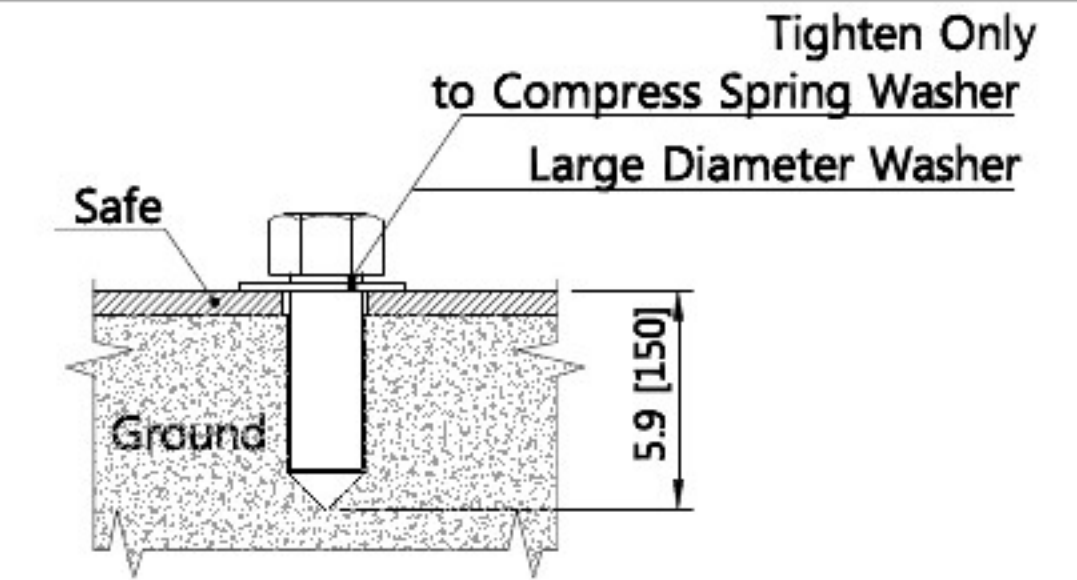
I. Bottom of ATM



II. Anchor Point



III. Anchor Detail



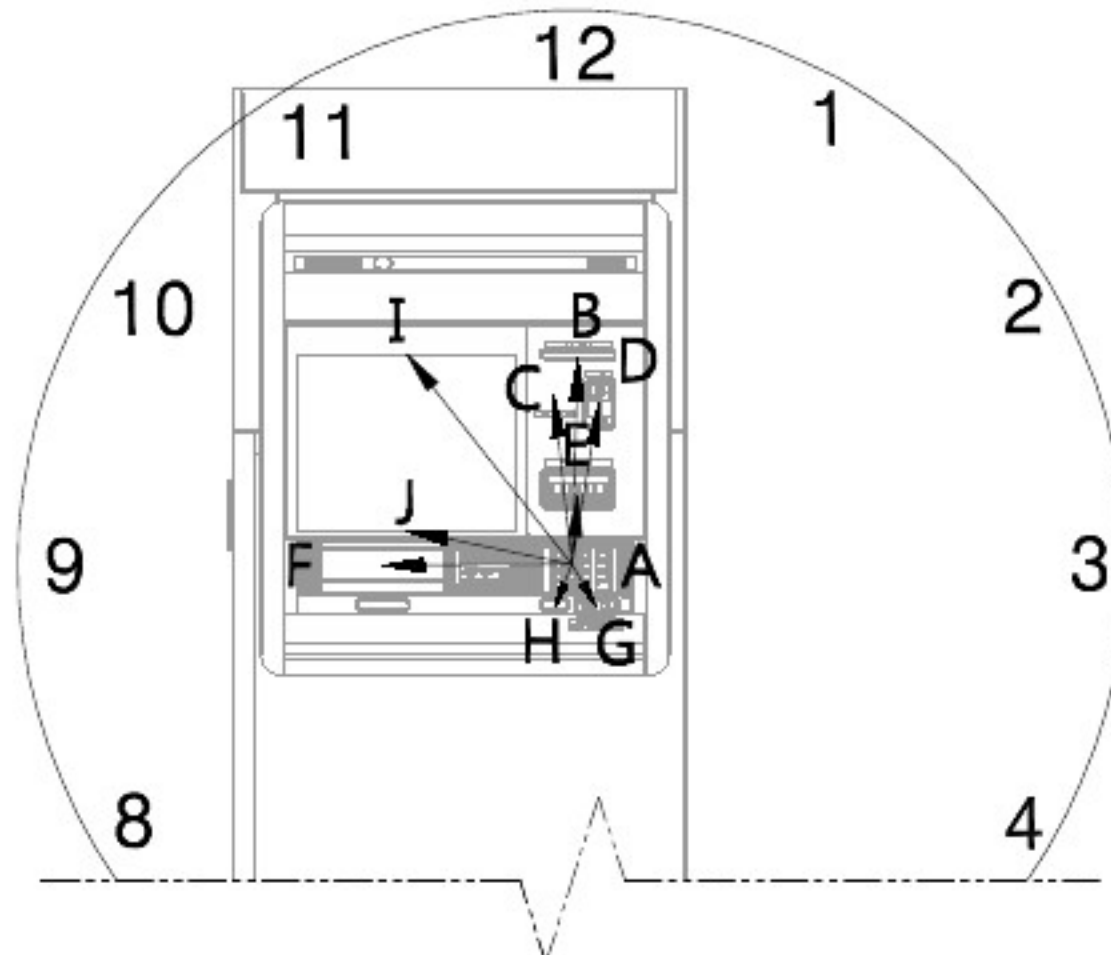
Bolts

- Type-steel 2ea(back direction), sus 304 2ea(front direction)
- Size-5/8 in.(M16)
- Minimum Length-5.9 in.(150mm)
- Strength-high tensile(minimum ISO property class 8.8)
- The screw thread diameter of the anchor should be more than 0.67 in.(17.0mm)

Washers

- Type-steel 2ea(as per DIN7349 or equivalent), sus 304 2ea
- Size-5/8 in.(M16)
- Outer diameter-no greater than 1.58 in.(40mm)
- Minimum thickness-0.16 in.(4mm)

12 Access For Device



Device	Height (from base of ATM)	Depth(wall 10") (from front of ATM)	Depth(wall 13") (from front of ATM)	Depth(wall 15") (from front of ATM)	Distance from No.5 Key <3D Distance>	Clock Face Position (Relative to No.5Key)
A	Encrypting PIN Pad 31.8inch [806.6mm]	3.7inch [95.2mm]	6.7inch [171.4mm]	8.7inch [222.2mm]	0	0
B	Receipt Printer 45.6inch [1157.8mm]	3.8inch [95.4mm]	6.8inch [171.6mm]	8.8inch [222.4mm]	13.8inch [351.4mm]	12
C	NFC 43.2inch [1096.1mm]	2.5inch [64.8mm]	5.5inch [141.0mm]	7.5inch [191.8mm]	11.5inch [291.2mm]	12
D	Card Reader 42.6inch [1082.3mm]	3.3inch [84.0mm]	6.3inch [160.2mm]	8.3inch [211.0mm]	11.1inch [281.5mm]	12
E	Cash/Check Insert Module 36.4inch [925.3mm]	3.9inch [98.7mm]	6.9inch [174.9mm]	8.9inch [225.7mm]	4.7inch [120.0mm]	12
F	Bill Recycling Module 31.7inch [804.8mm]	4.6inch [117.9mm]	7.6inch [194.1mm]	9.6inch [244.9mm]	12.8inch [324.2mm]	9
G	Earphone Jack 29.0inch [737.1mm]	3.9inch [98.8mm]	6.9inch [175.0mm]	8.9inch [225.8mm]	3.2inch [80.5mm]	5
H	BARCODE 28.9inch [734.9mm]	4.0inch [101.1mm]	7.0inch [177.3mm]	9.0inch [228.1mm]	3.1inch [77.6mm]	9
I	Screen Top 45.9inch [1166.4mm]	3.8inch [95.7mm]	6.8inch [171.9mm]	8.8inch [222.7mm]	18.0inch [458.1mm]	11
J	Screen Bottom 34.0inch [864.4mm]	3.8inch [95.7mm]	6.8inch [171.9mm]	8.8inch [222.7mm]	11.4inch [289.3mm]	9

13 Power Requirements

I. The power for the site

- 100~127Vac(\pm 10%), at 50/60(\pm 3)Hz, Single-phase

II. Power Consumption

- Idle
HEATER OFF : 204 W
HEATER ON : 496 W
- Transaction (Max)
HEATER OFF : 346 W
HEATER ON : 610 W

III. Thermal Output

- Idle
HEATER OFF : 696.1 BTU/hr
HEATER ON : 1692.4 BTU/hr
- Transaction (Max)
HEATER OFF : 1180.6 BTU/hr
HEATER ON : 2081.4 BTU/hr

IV. Environmental Conditions:

- Temperature: 32°F - 104°F (0°C ~ 40°C)
- Humidity 25% - 85%

"Note 1: MX8300D ATM must have a dedicated 20A service"

The power use depends on the number and type of devices present in the recycler/dispenser and the type of transaction the recycler/dispenser is performing

14 Installation Guide

PHYSICAL SECURITY

THE SECURITY SAFE MEETS THE ATTACK TEST PER UL 291. THE SAFE DOOR HAS A POSITIVE RELOCKING FEATURE. THE SAFE DOOR SHOULD BE CONTROLLED BY A MINIMUM OF A GROUP 2M UL LISTED COMBINATION LOCK WITH OR WITHOUT KEYLOCKING DIAL CAPABILITY OR OPTIONAL ELECTRONIC LOCK.

ALARM PROTECTION

THE UL-LISTED SAFE IS EQUIPPED WITH A BASIC ALARM SENSOR. IT IS INCLUDED SAFE DOOR OPEN SWITCH, BASIC ALARM & HEAT SENSOR. IF INSTALL SHUNTING LOCK WITH SAFE DOOR, IT IS AVAILABLE SHUNTING ALARM SWITCH

