

HYOSUNG TNS INC.

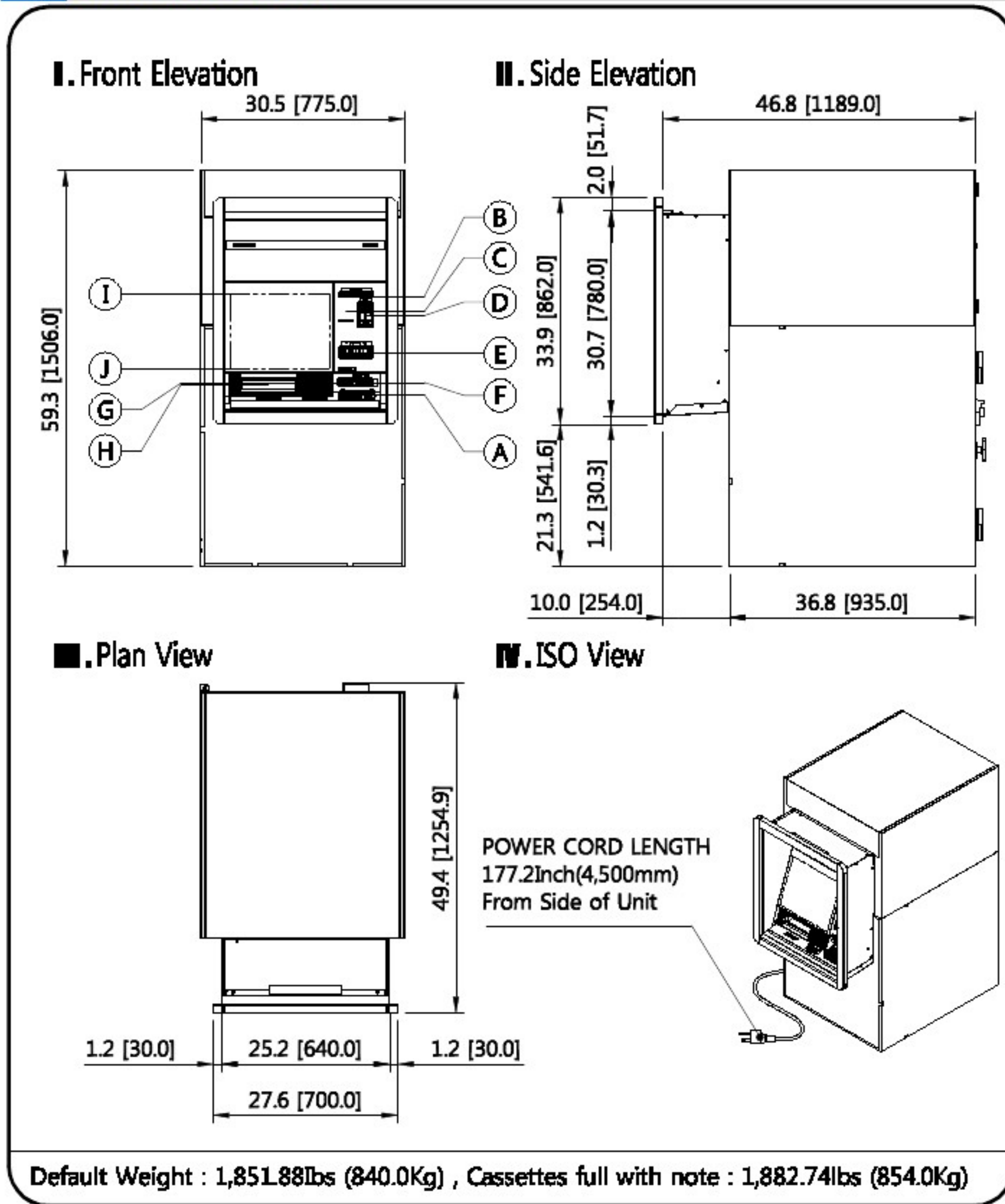
MX8300T

HYOSUNG TNS INC. MX8300T

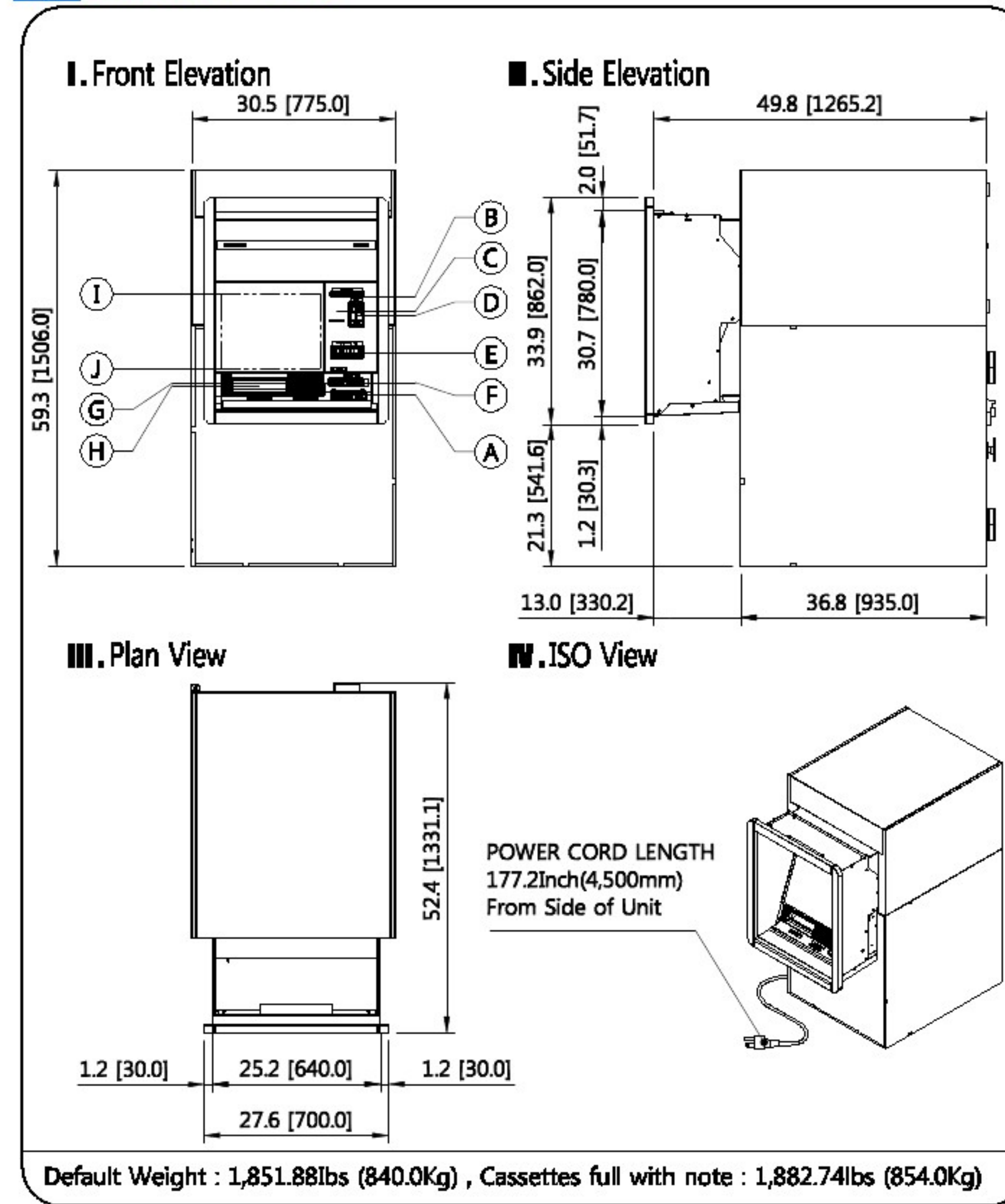
1 Index

1. MX8300T_CDU_LEVEL I(4CST)	1
2. MX8300T_CDU_LEVEL I(5CST)	4
3. MX8300T_CDU_CEN I	7
4. MX8300T_BRM_LEVEL I	10
5. MX8300T_BRM_CEN I	13

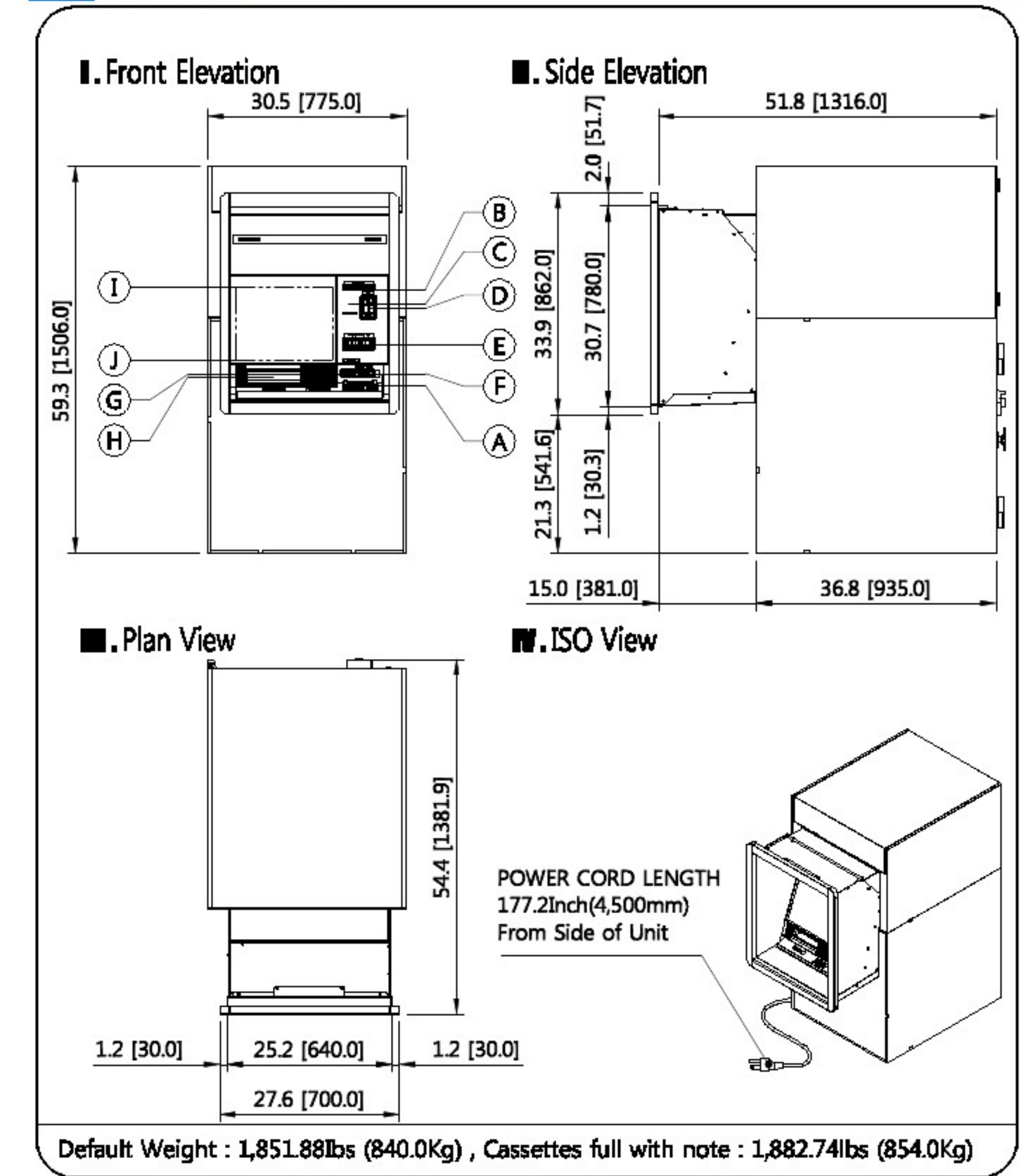
1 Exterior (10" Wall)



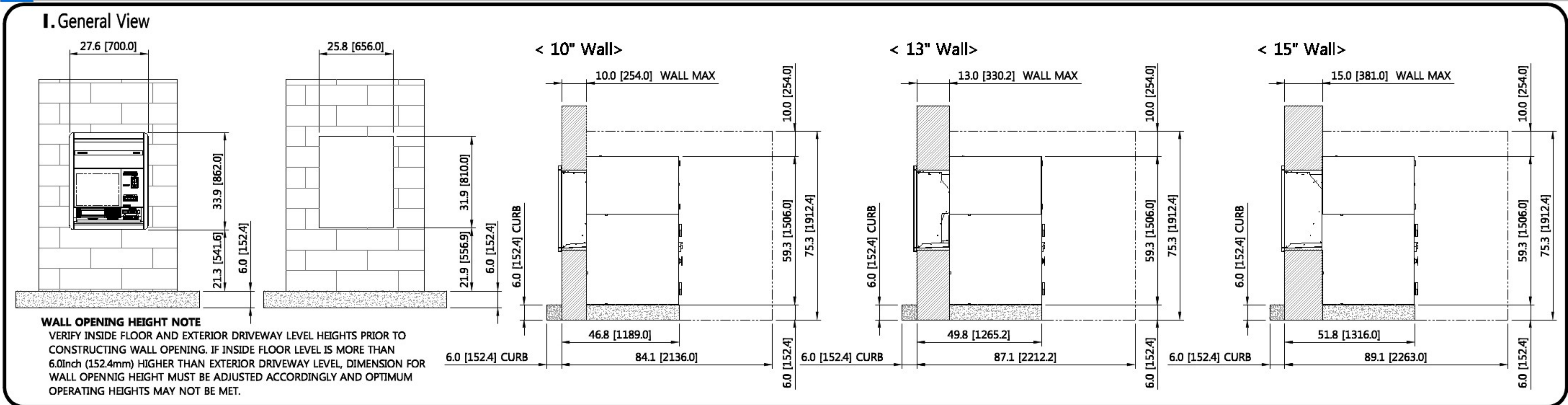
2 Exterior (13" Wall)



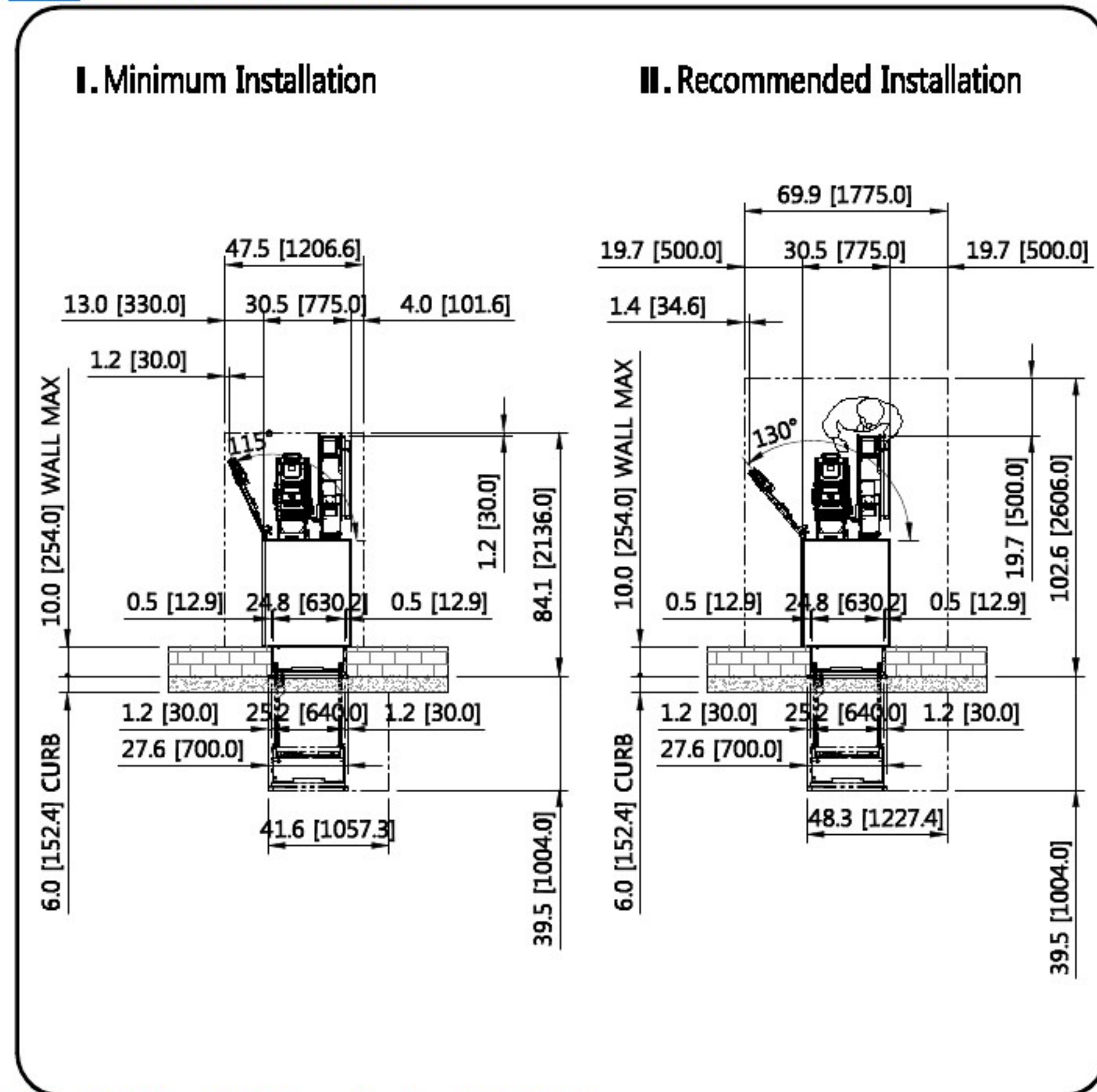
3 Exterior (15" Wall)



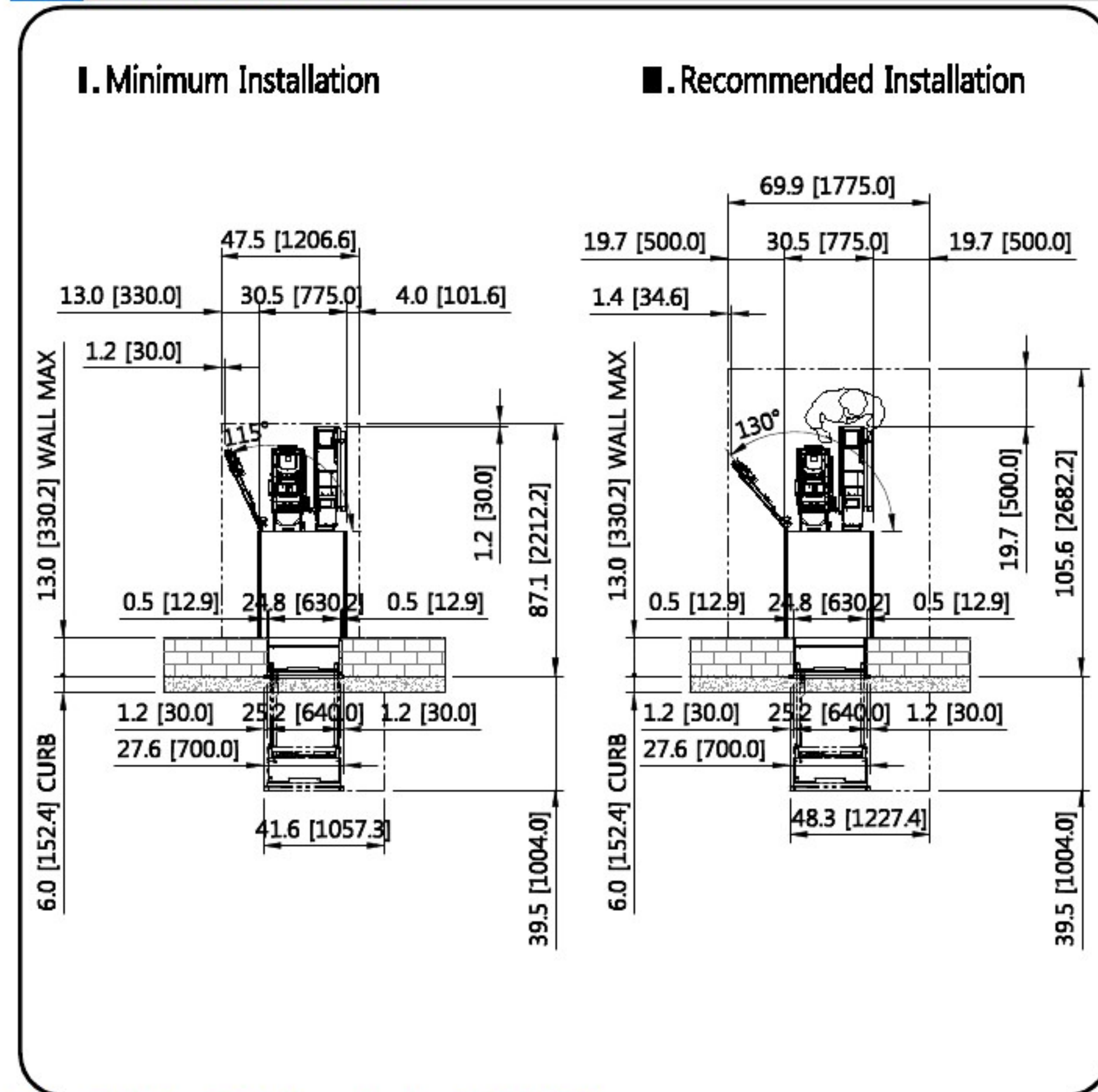
4 Service Area



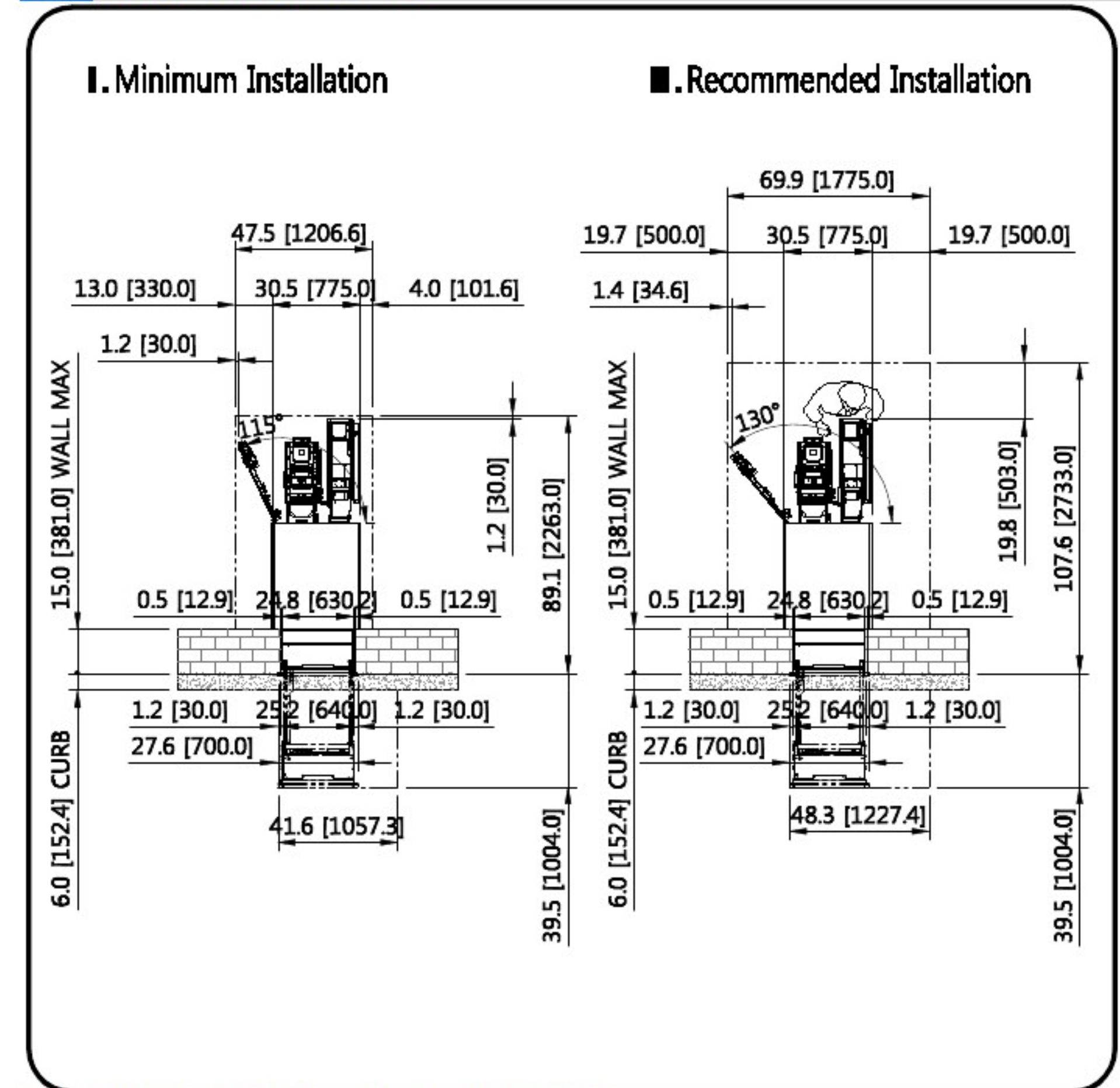
5 Installation (10" Wall)



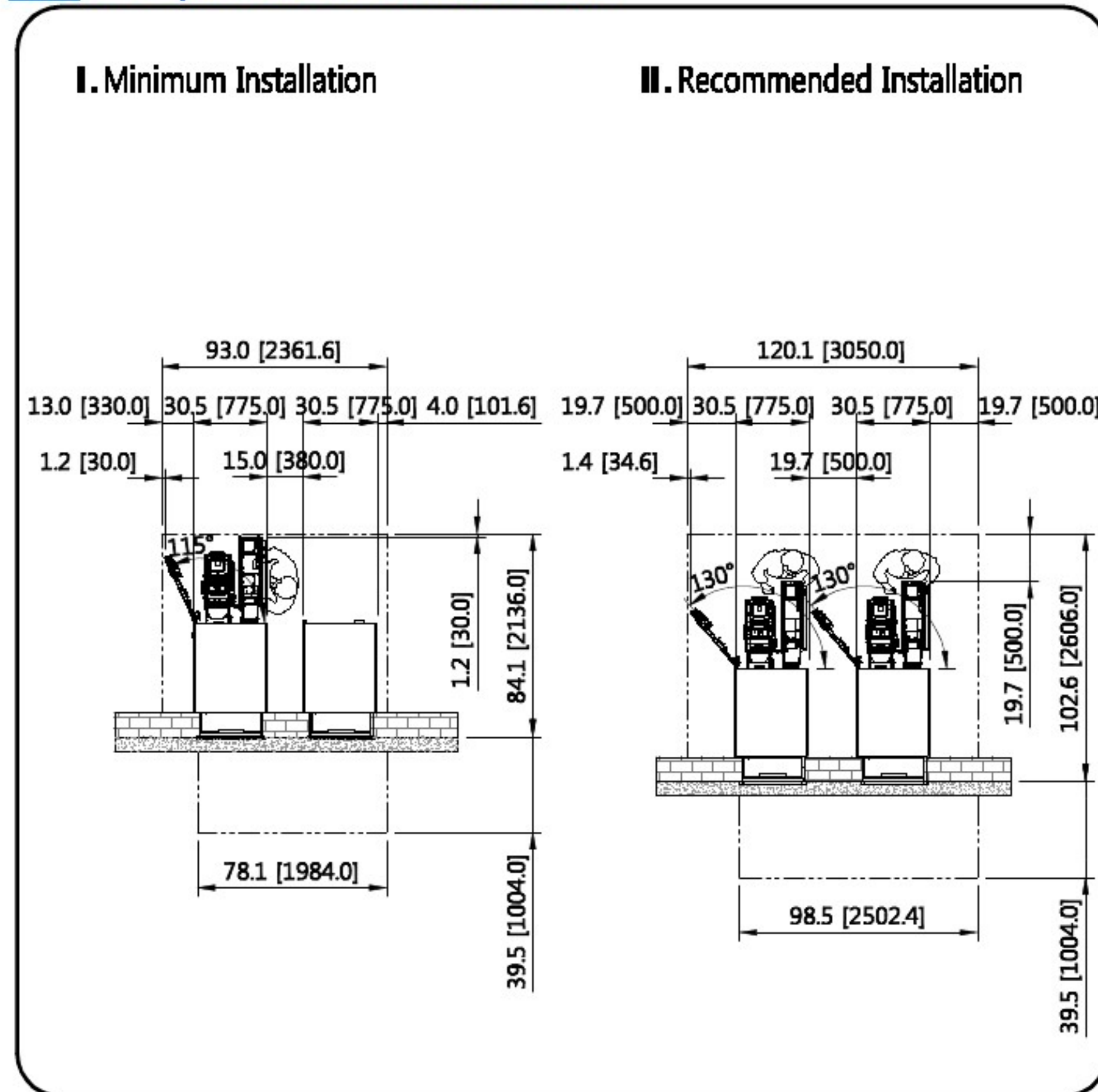
6 Installation (13" Wall)



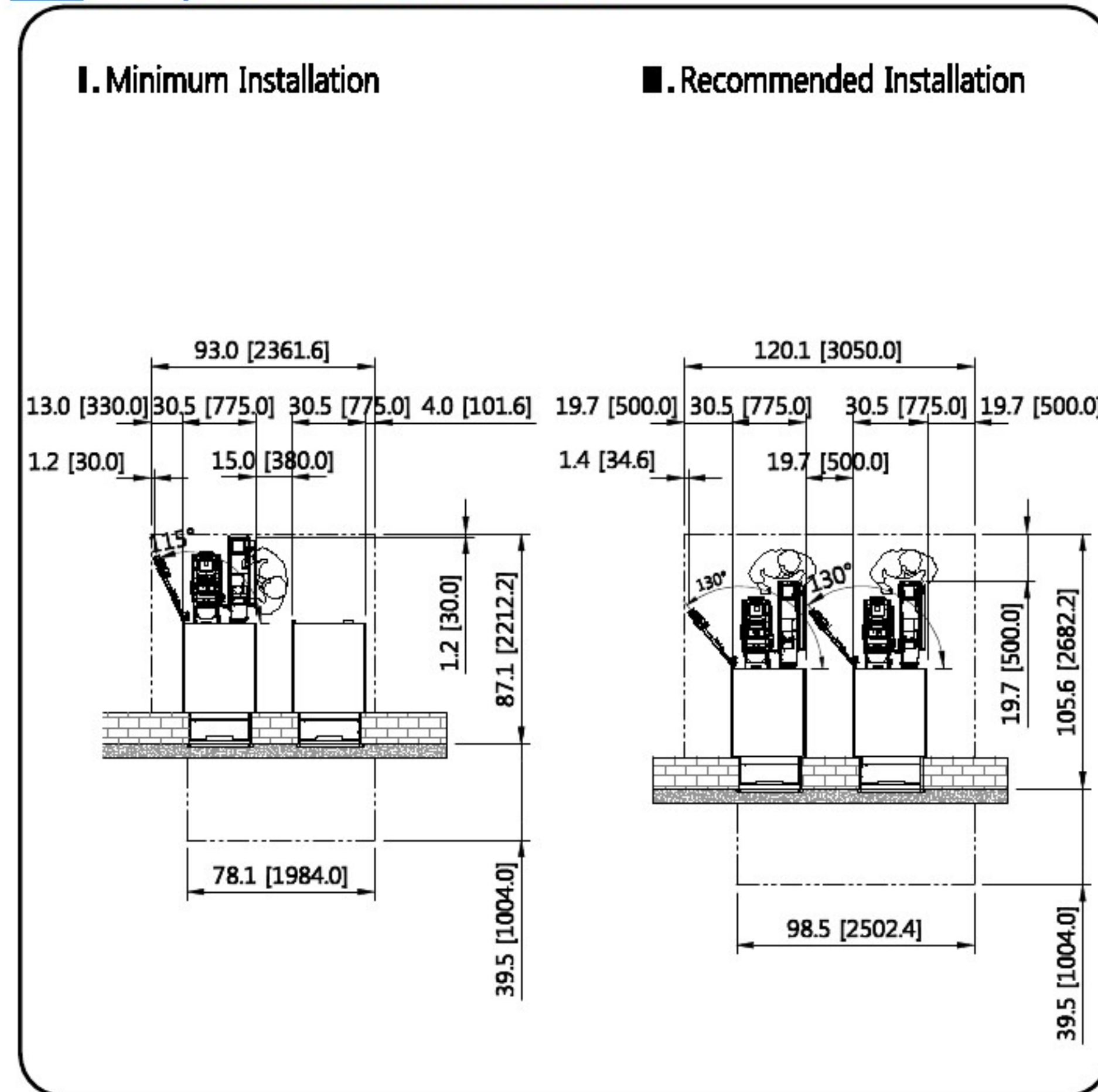
7 Installation (15" Wall)



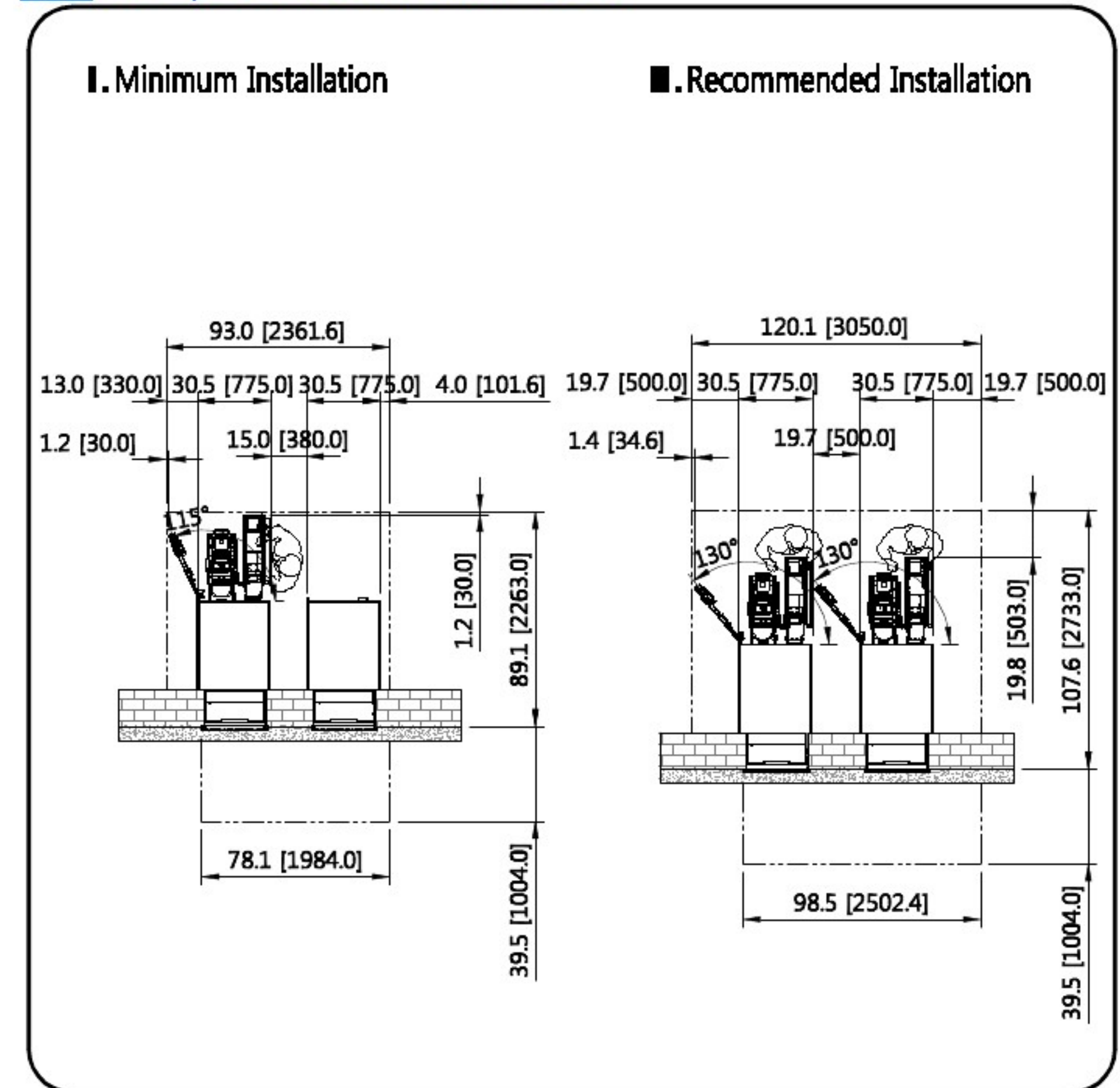
8 Side by Side installation (10" Wall)



9 Side by Side installation (13" Wall)

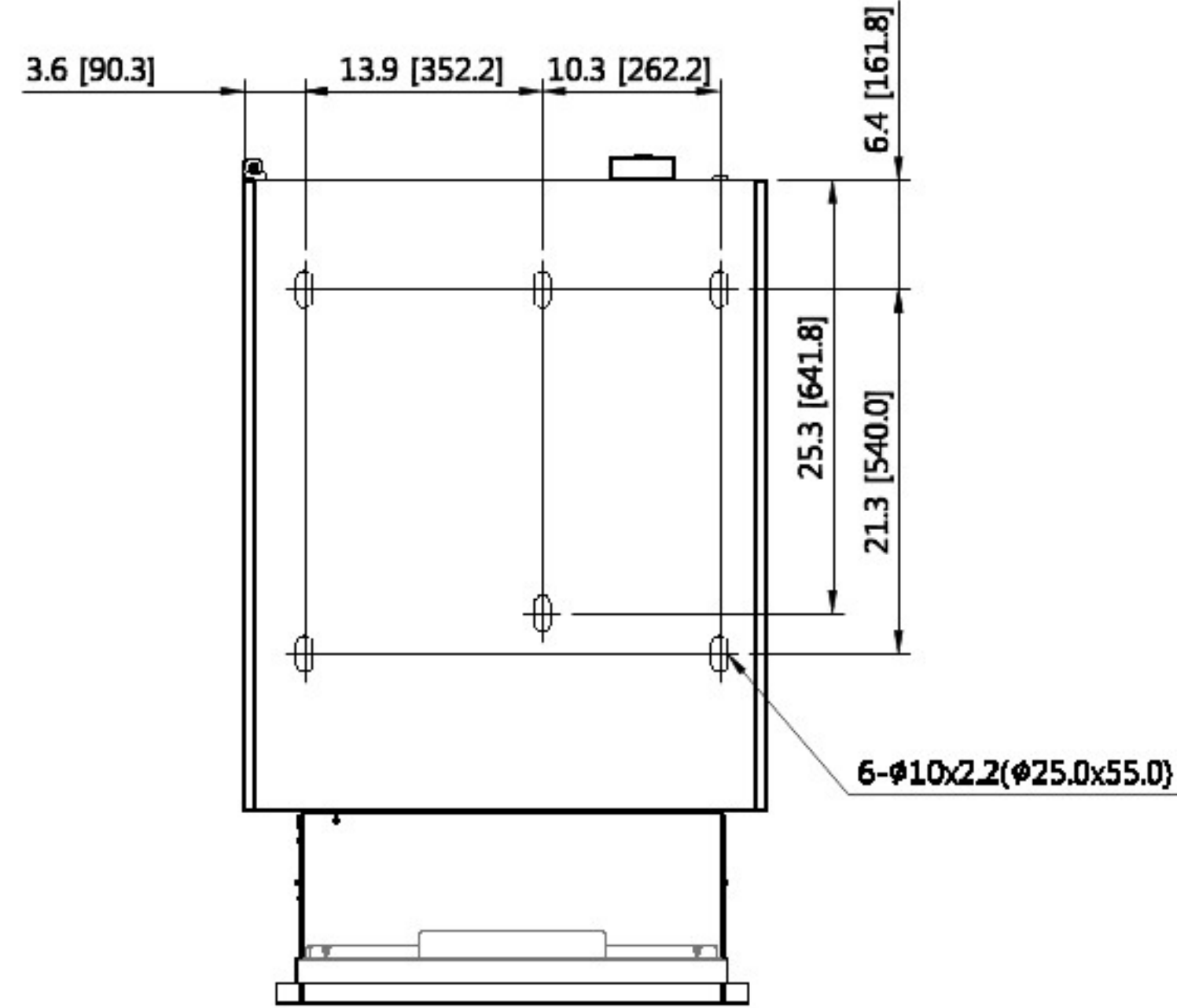


10 Side by Side installation (15" Wall)

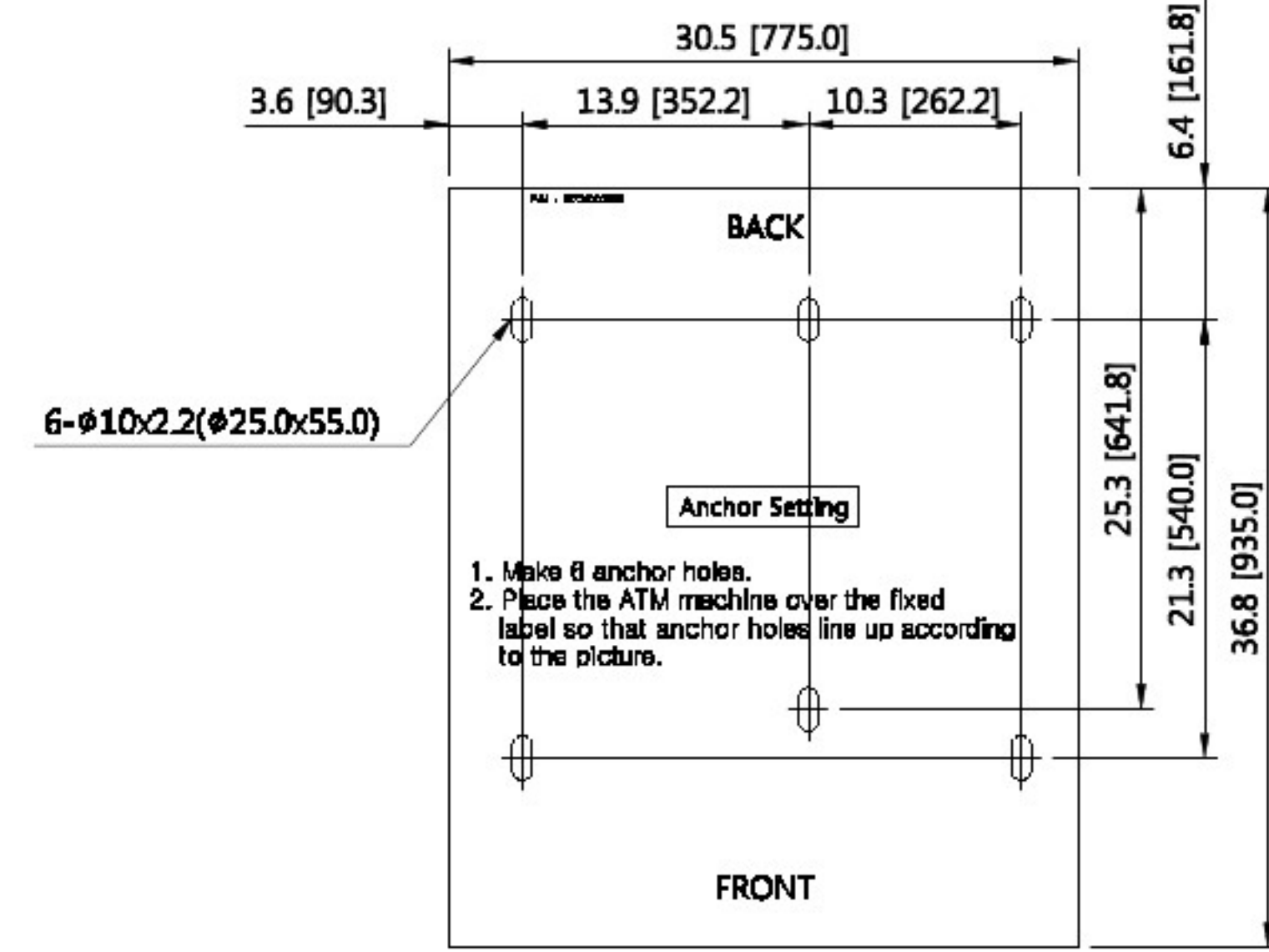


11 Installation Frame

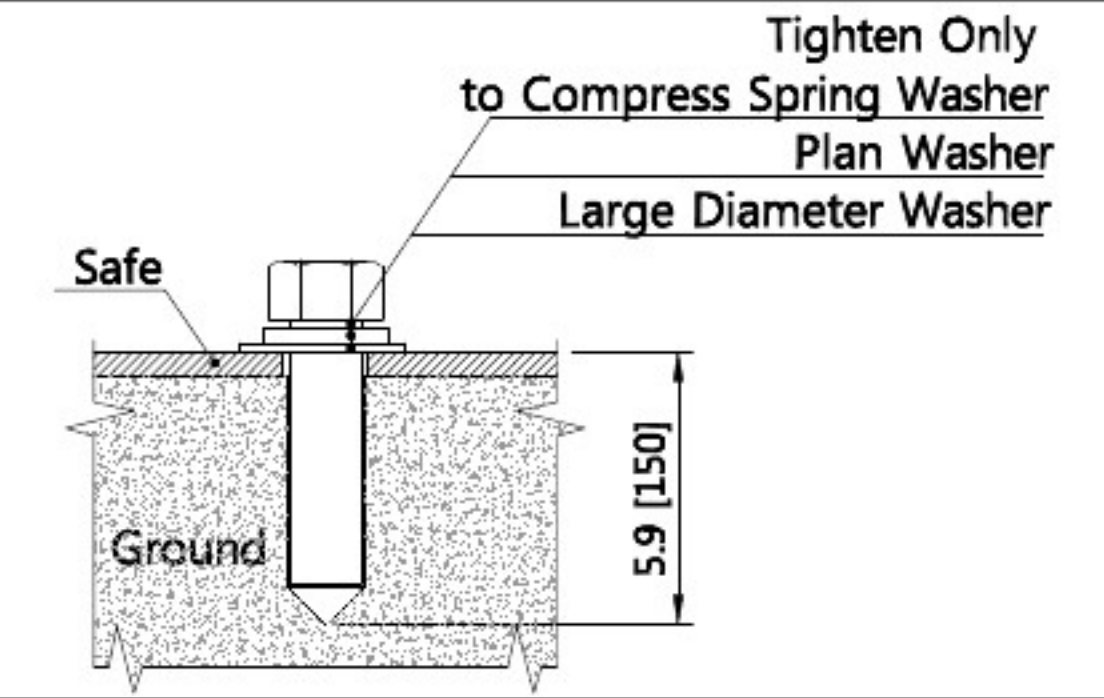
I. Bottom of ATM



II. Anchor Point



III. Anchor Detail



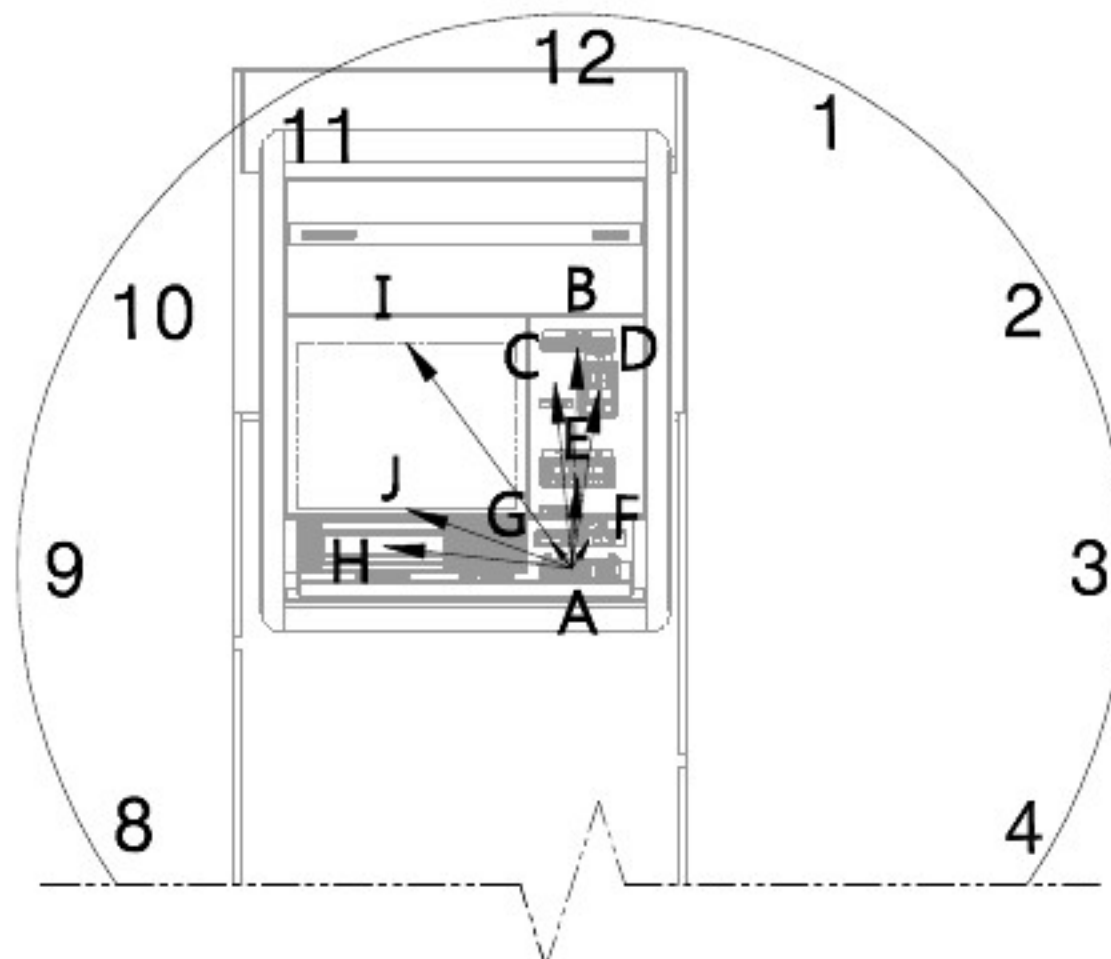
Bolts

- Type-either resin anchor or shield anchor bolts
- Size-5/8 in.(M16)
- Minimum Length-5.9 in.(150mm)
- Strength-high tensile(minimum ISO property class 8.8)

Washers

- Type-flat,steel(as per DIN7349 or equivalent)
- Size-5/8 in.(M16)
- Outer diameter-no greater than 1.58 in.(40mm)
- Minimum thickness-0.2in.(6mm)

12 Access For Device



Device	Height (from base of ATM)	Depth(wall 10") (from front of ATM)	Depth(wall 13") (from front of ATM)	Depth(wall 15") (from front of ATM)	Distance from No.5 Key <3D Distance>	Clock Face Position (Relative to No.5Key)
A	Encrypting PIN Pad 25.6inch [651.2mm]	4.8inch [121.5mm]	7.8inch [197.7mm]	9.8inch [248.5mm]	0	0
B	Receipt Printer 40.5inch [1027.7mm]	9.5inch [241.8mm]	12.5inch [318.0mm]	14.5inch [368.8mm]	15.6inch [395.4mm]	12
C	NFC 38.2inch [970.1mm]	8.7inch [221.0mm]	11.7inch [297.2mm]	13.7inch [348.0mm]	13.2inch [335.5mm]	12
D	Card Reader 37.6inch [954.0mm]	7.0inch [177.8mm]	10.0inch [254.0mm]	12.0inch [304.8mm]	12.3inch [311.5mm]	12
E	Cash/Check Insert Module 31.9inch [809.5mm]	6.4inch [161.6mm]	9.4inch [237.8mm]	11.4inch [288.6mm]	6.8inch [173.7mm]	12
F	Earphone Jack 27.5inch [699.5mm]	6.2inch [157.4mm]	9.2inch [233.6mm]	11.2inch [284.4mm]	2.6inch [66.7mm]	1
G	BARCODE 27.5inch [697.9mm]	6.2inch [158.0mm]	9.2inch [234.2mm]	11.2inch [285.0mm]	2.7inch [69.4mm]	11
H	Cash Dispenser 27.2inch [691.1mm]	6.2inch [157.3mm]	9.2inch [233.5mm]	11.2inch [284.3mm]	12.9inch [327.5mm]	9
I	Screen Top 40.8inch [1035.8mm]	9.6inch [245.0mm]	12.6inch [321.2mm]	14.6inch [372.0mm]	19.4inch [493.2mm]	11
J	Screen Bottom 29.6inch [751.9mm]	5.6inch [141.6mm]	8.6inch [217.8mm]	10.6inch [268.6mm]	11.6inch [301.1mm]	10

13 Power Requirements

I. The power for the site

- 100~127Vac(±10%), at 50/60(±3)Hz, Single-phase

II. Power Consumption

- Idle
HEATER OFF : 204 W
HEATER ON : 496 W
- Transaction (Max)
HEATER OFF : 346 W
HEATER ON : 610 W

III. Thermal Output

- Idle
HEATER OFF : 696.1 BTU/hr
HEATER ON : 1692.4 BTU/hr
- Transaction (Max)
HEATER OFF : 1180.6 BTU/hr
HEATER ON : 2081.4 BTU/hr

IV. Environmental Conditions:

- Temperature: 32°F - 104°F (0°C ~ 40°C)
- Humidity 25% - 85%

"Note 1: MX8300T ATM must have a dedicated 20A service"

The power use depends on the number and type of devices present in the recycler/dispenser and the type of transaction the recycler/dispenser is performing

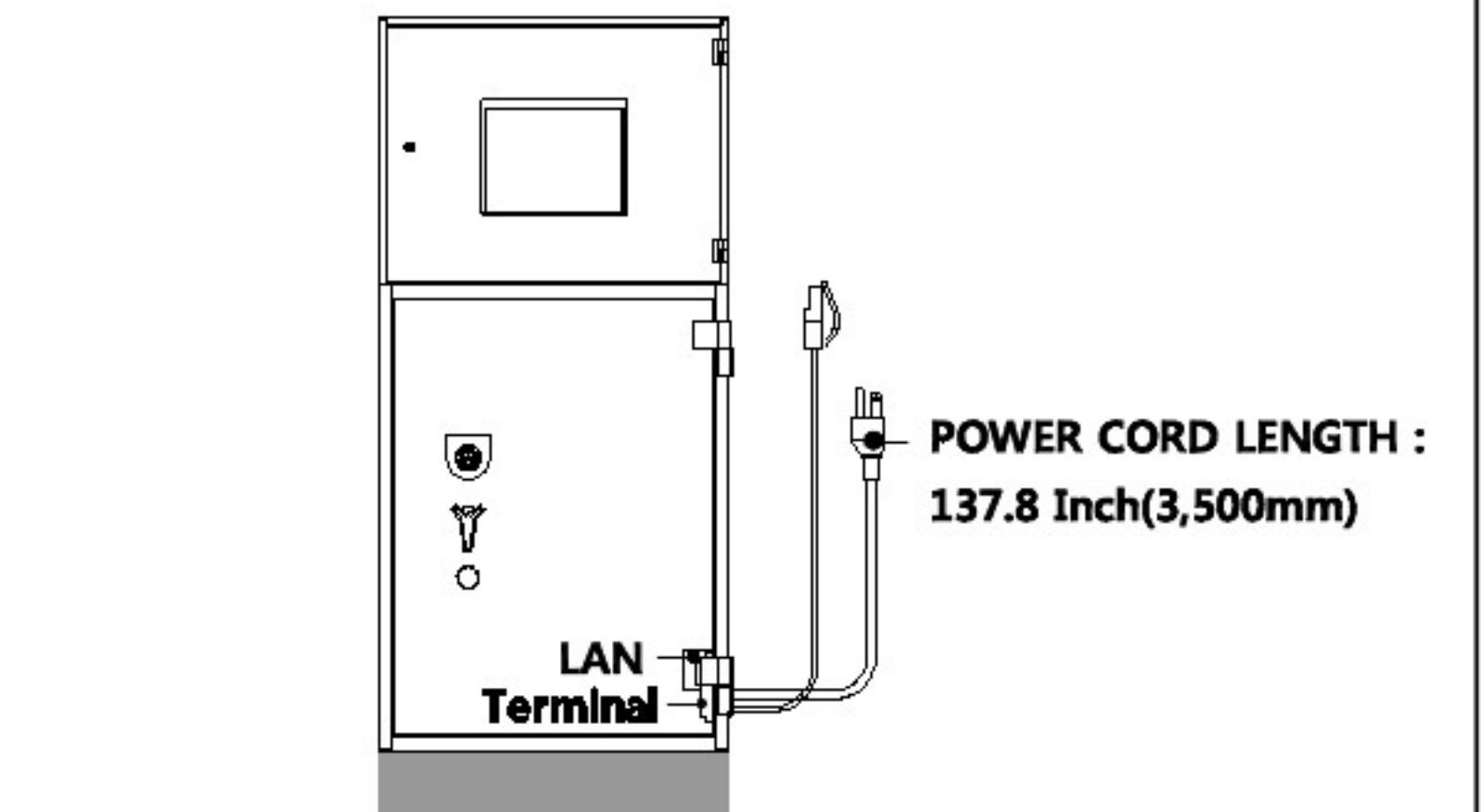
14 Installation Guide

PHYSICAL SECURITY

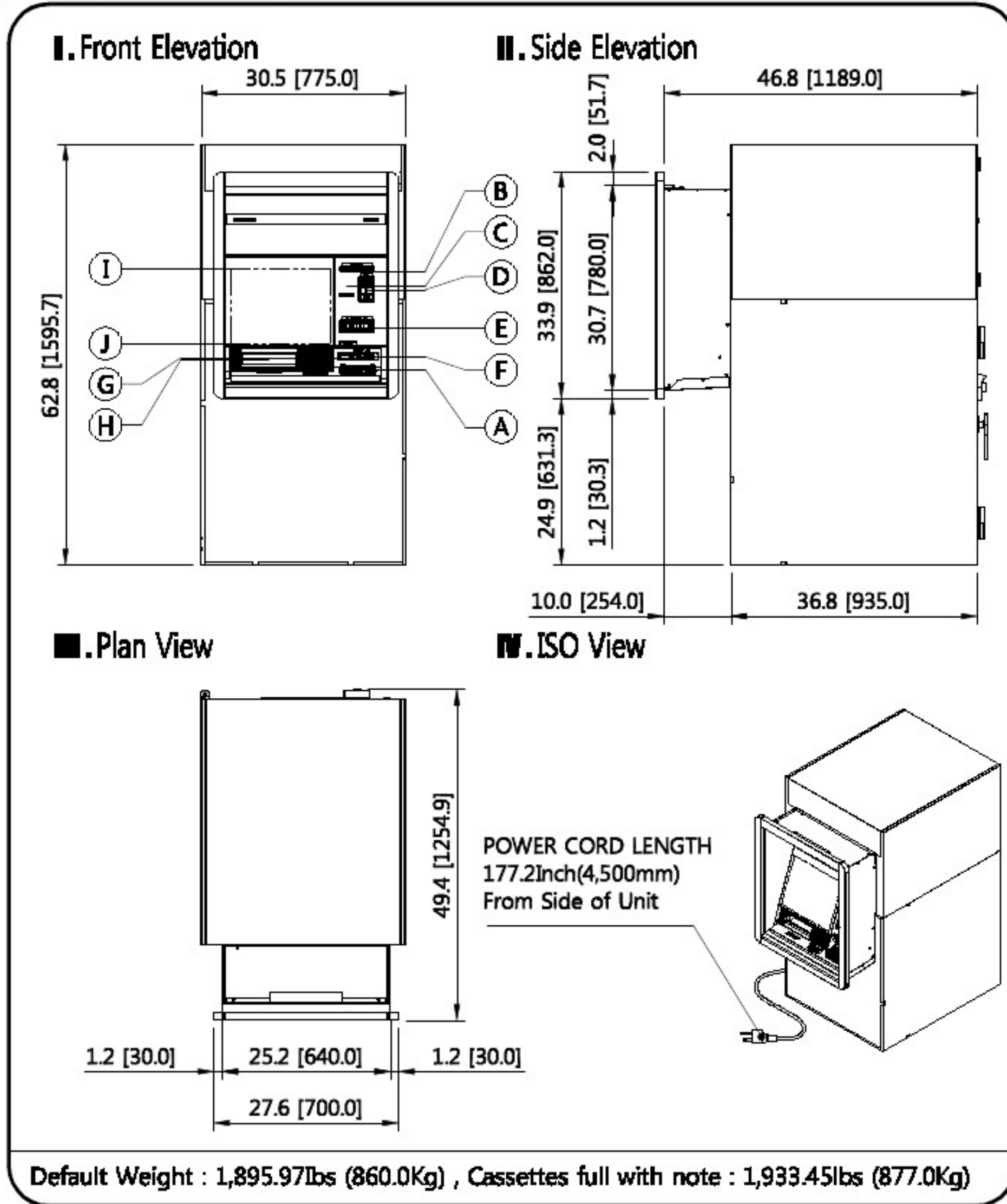
THE SECURITY SAFE MEETS THE ATTACK TEST PER UL 291. THE SAFE DOOR HAS A POSITIVE RELOCKING FEATURE. THE SAFE DOOR SHOULD BE CONTROLLED BY A MINIMUM OF A GROUP 2M UL LISTED COMBINATION LOCK WITH OR WITHOUT KEYLOCKING DIAL CAPABILITY OR OPTIONAL ELECTRONIC LOCK.

ALARM PROTECTION

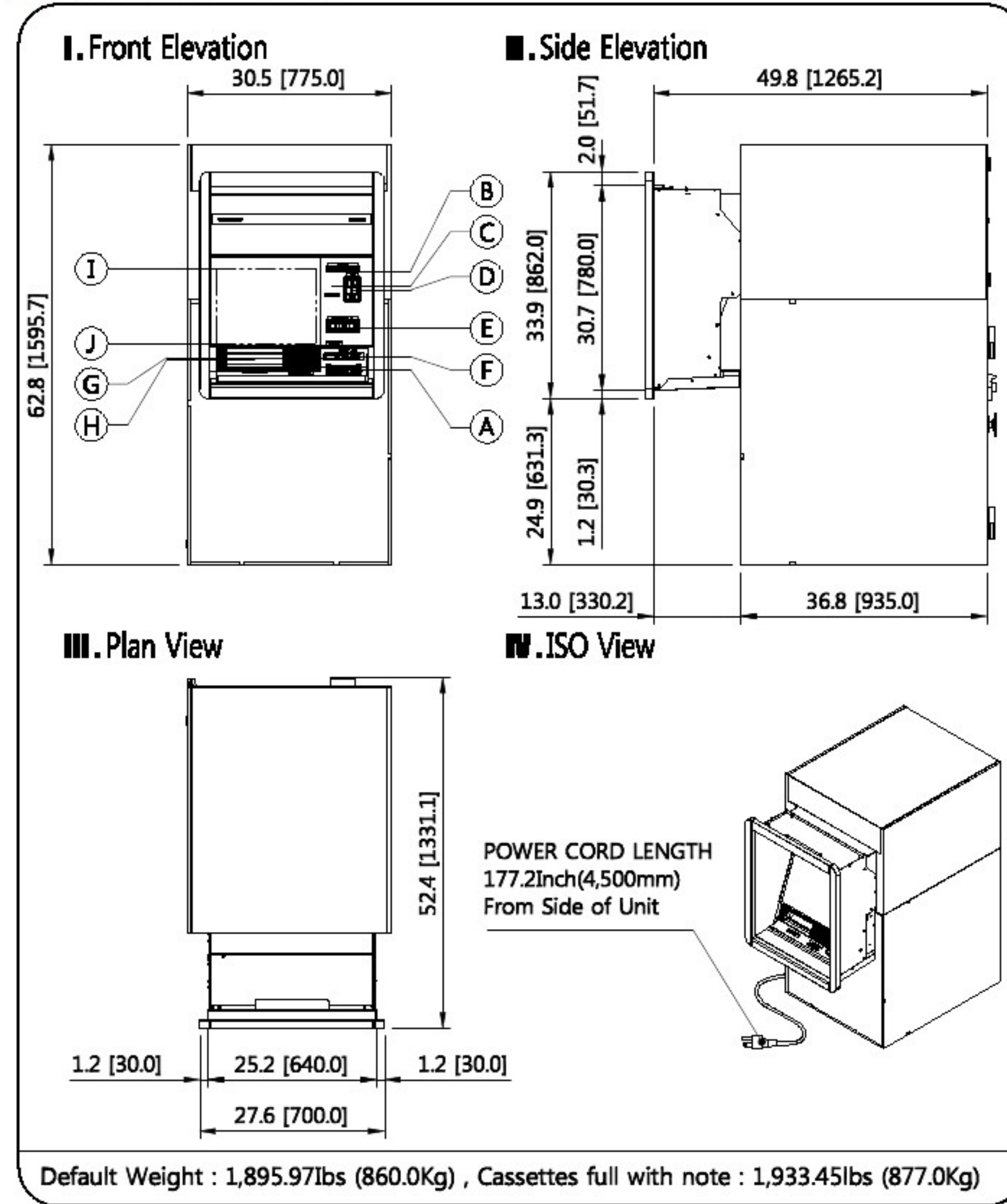
THE UL-LISTED SAFE IS EQUIPPED WITH A BASIC ALARM SENSOR. IT IS INCLUDED SAFE DOOR OPEN SWITCH, BASIC ALARM & HEAT SENSOR. IF INSTALL SHUNTING LOCK WITH SAFE DOOR, IT IS AVAILABLE SHUNTING ALARM SWITCH.



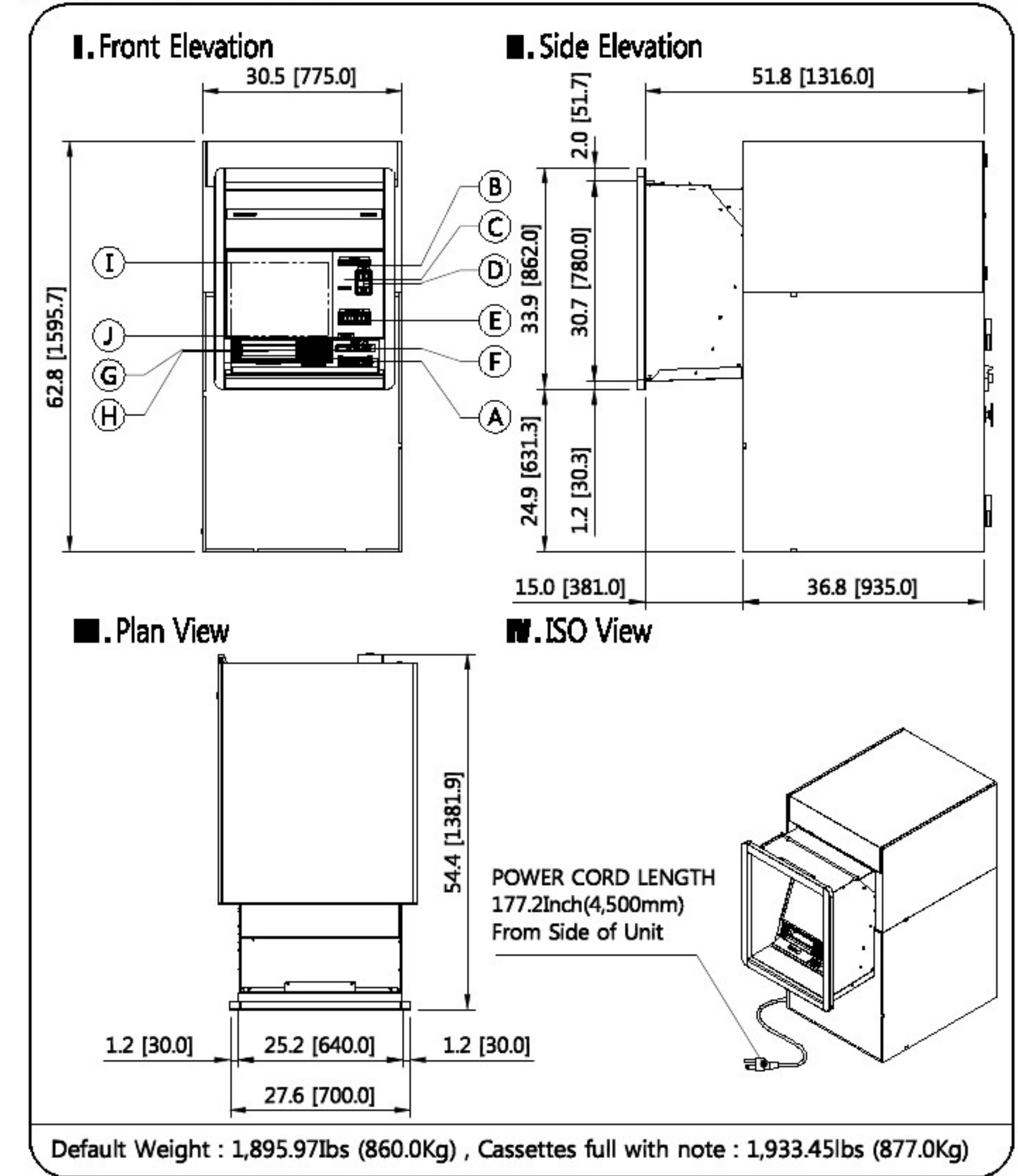
1 Exterior (10" Wall)



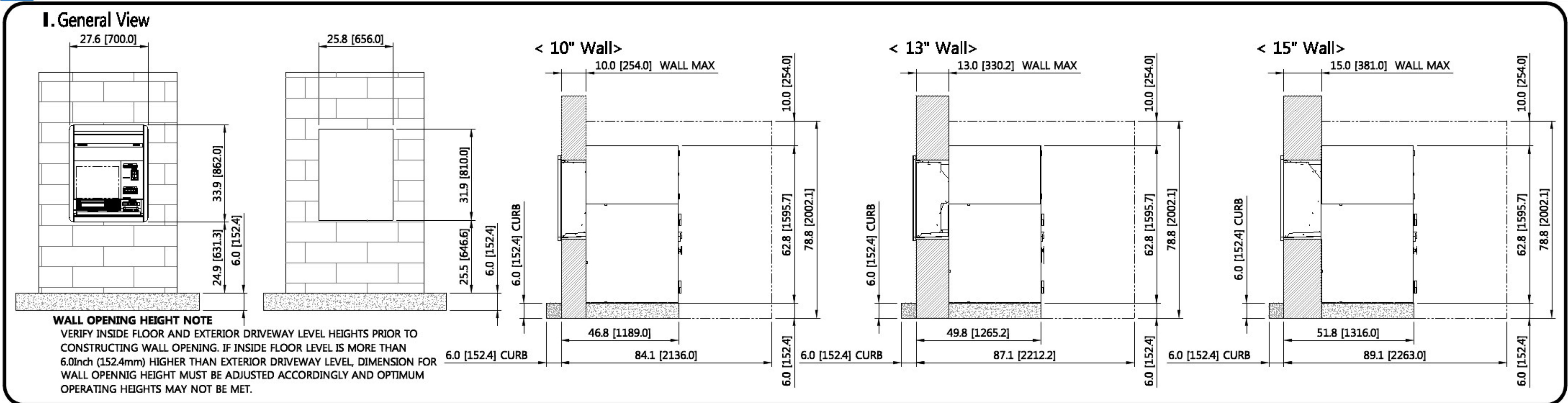
2 Exterior (13" Wall)



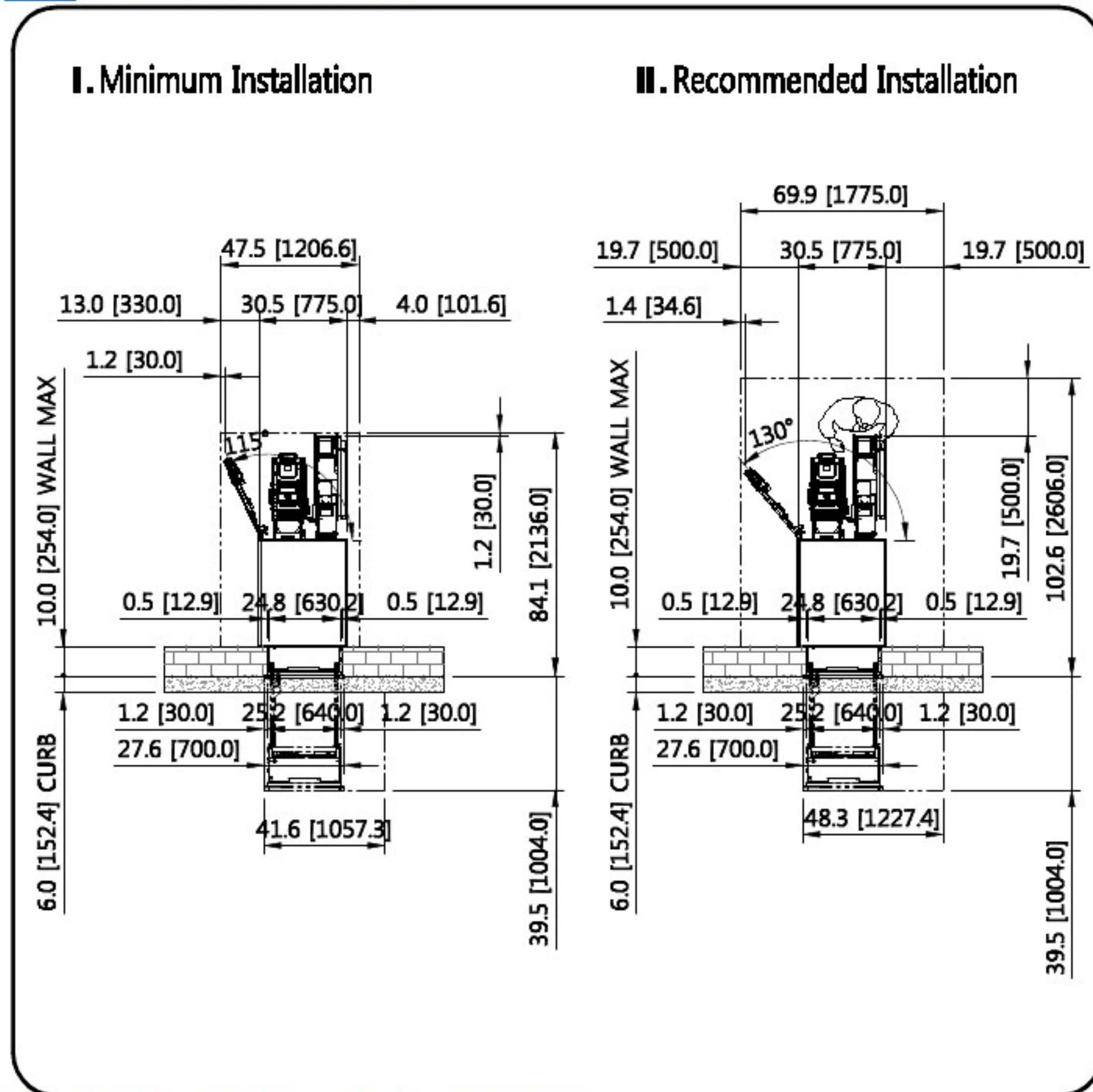
3 Exterior (15" Wall)



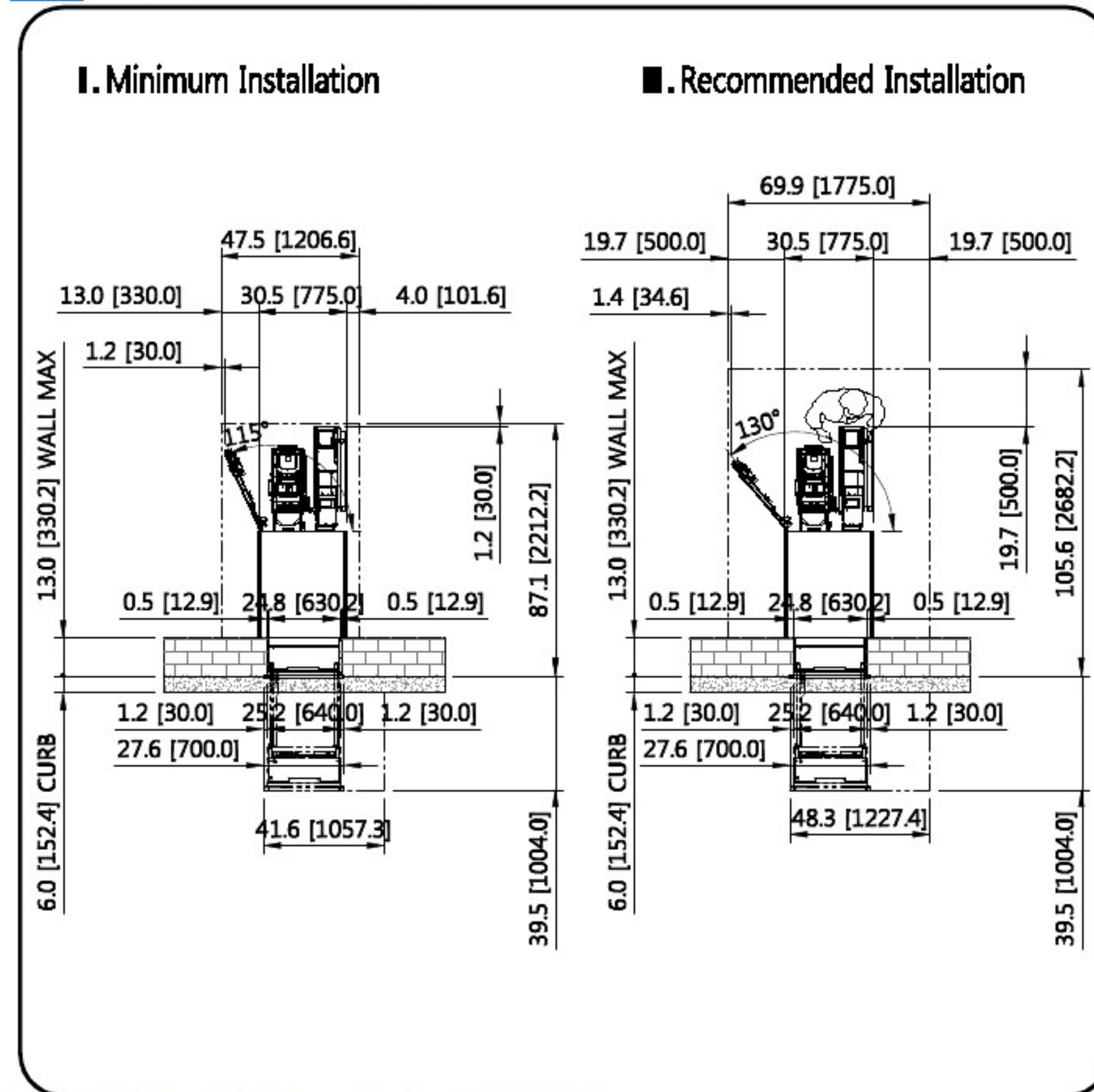
4 Service Area



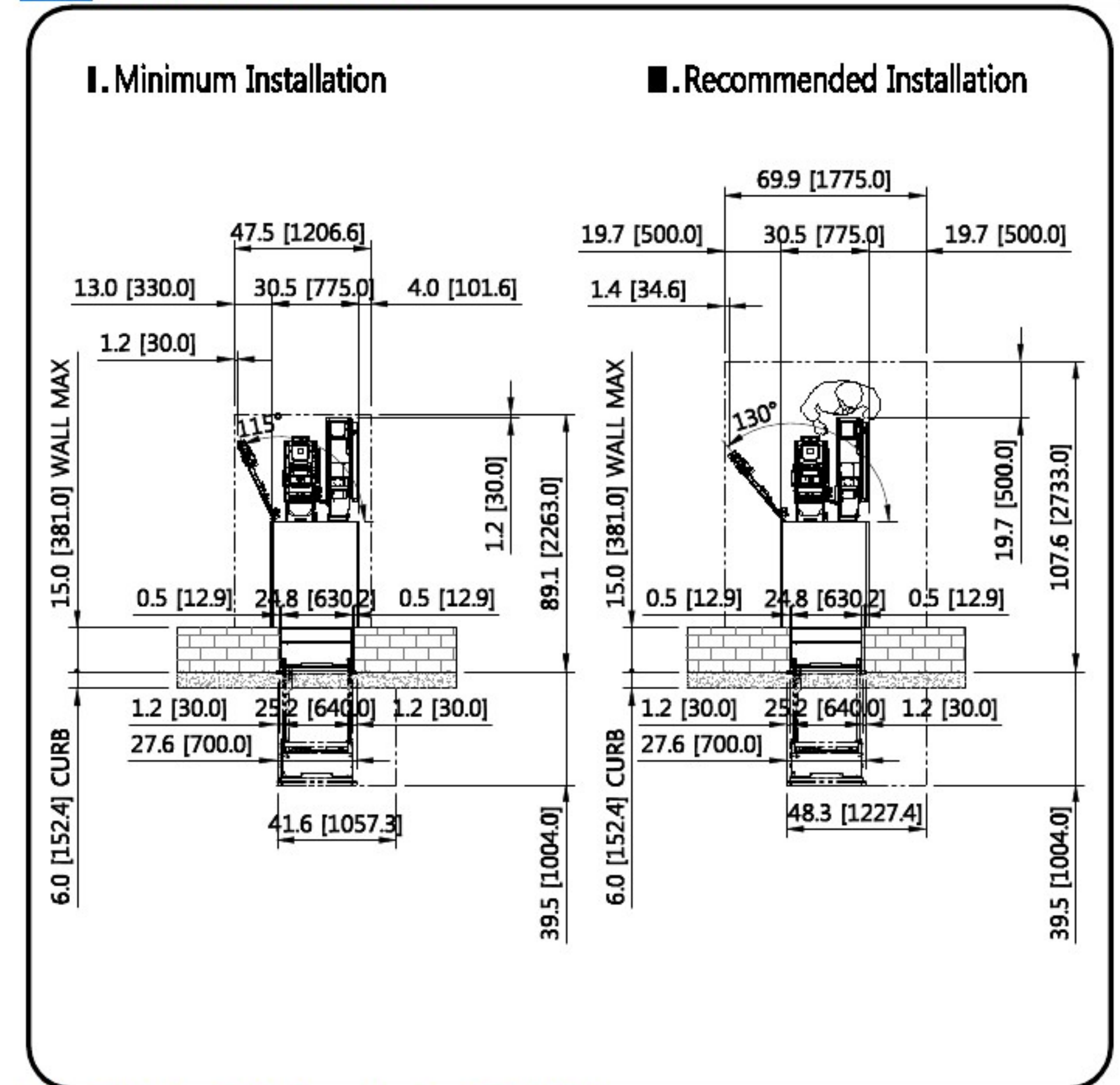
5 Installation (10" Wall)



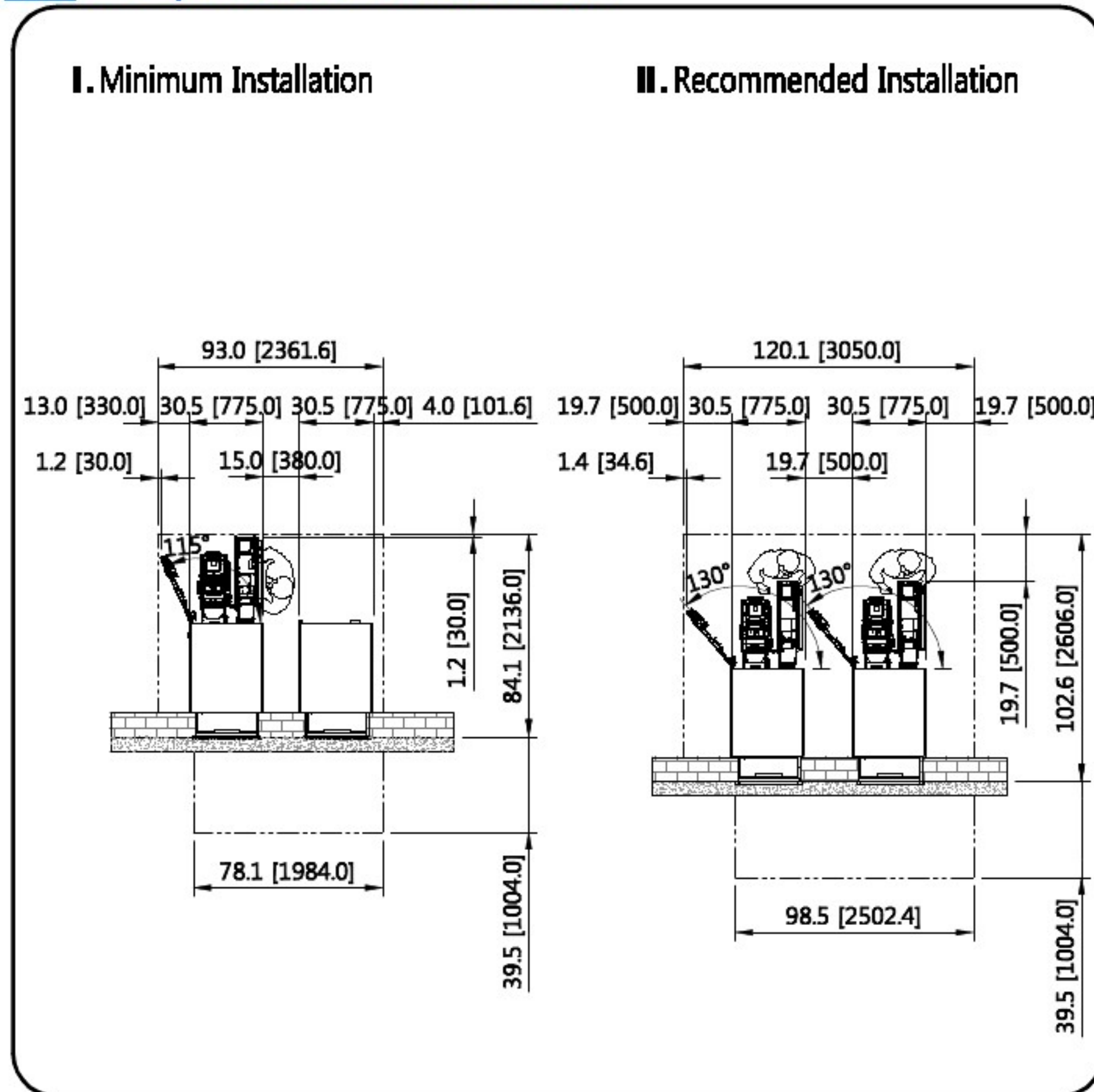
6 Installation (13" Wall)



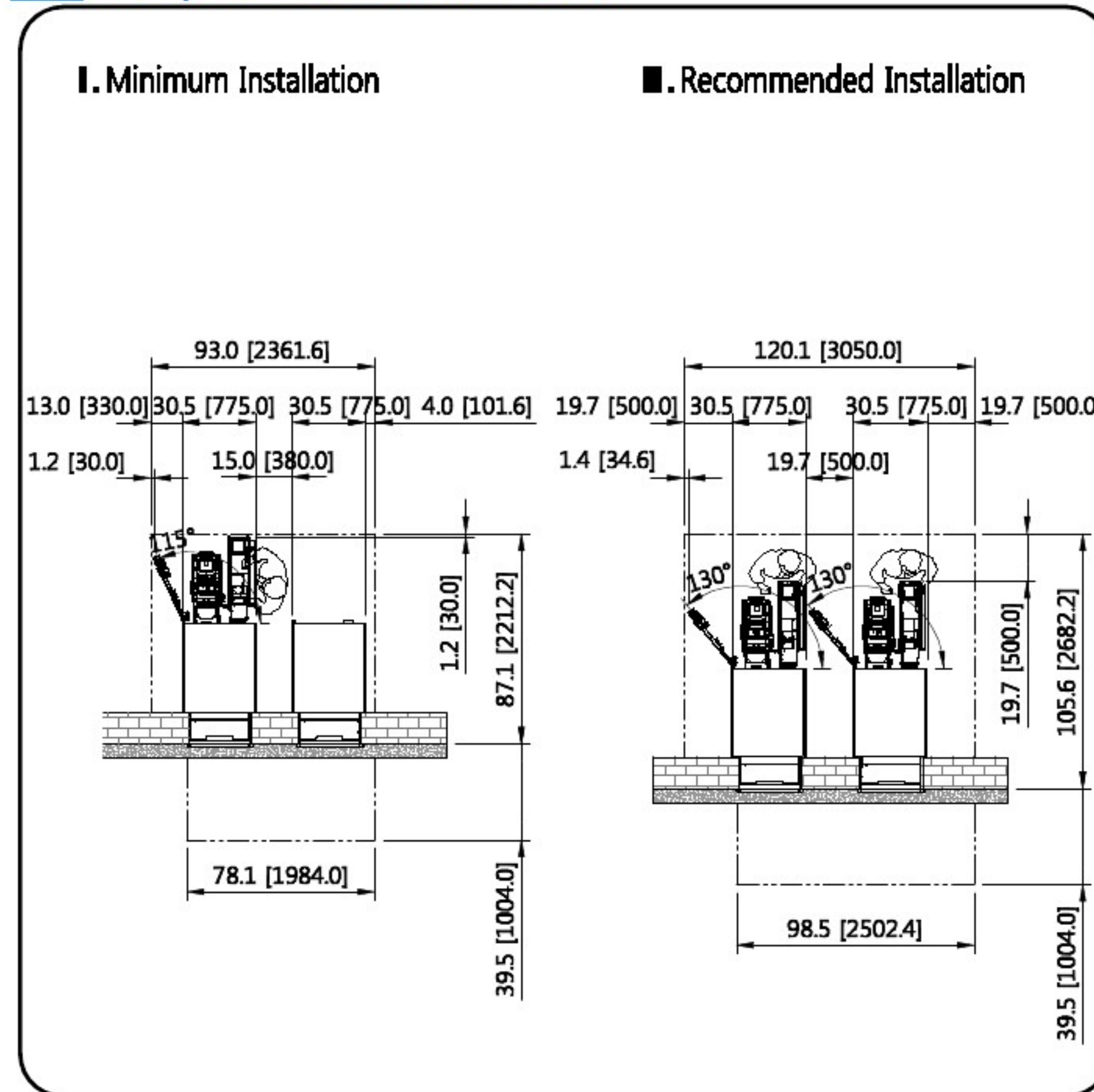
7 Installation (15" Wall)



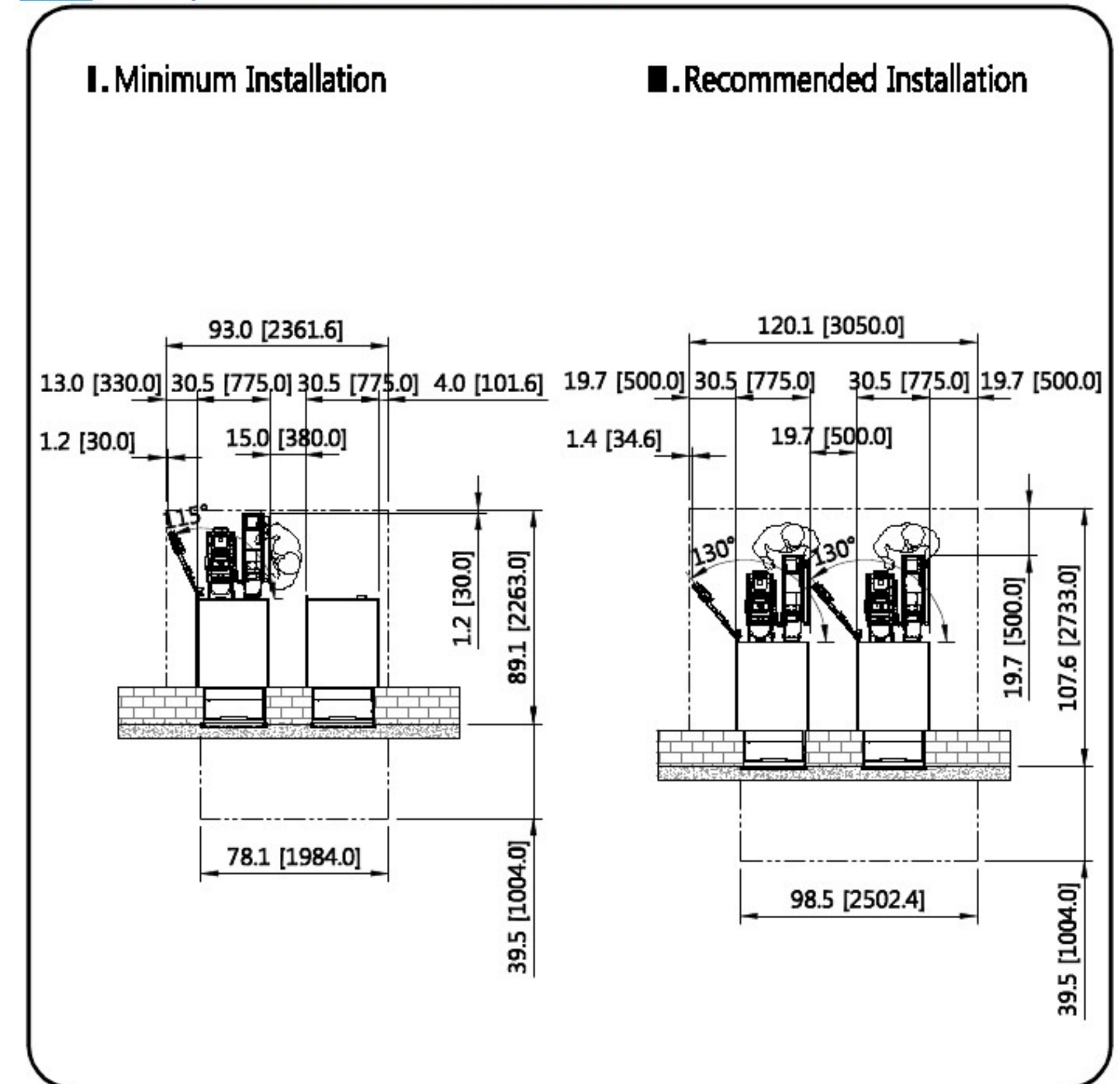
8 Side by Side installation (10" Wall)



9 Side by Side installation (13" Wall)

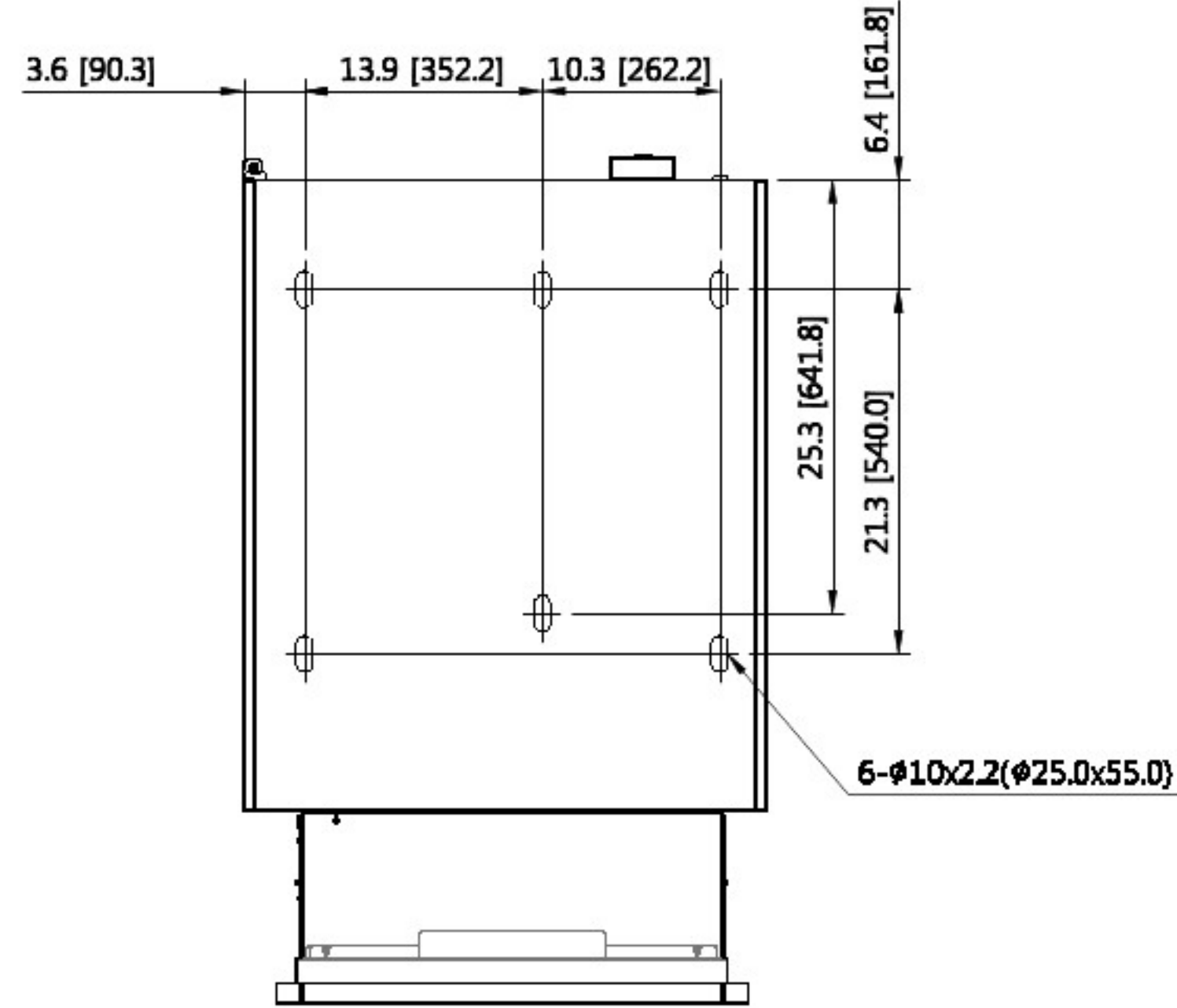


10 Side by Side installation (15" Wall)

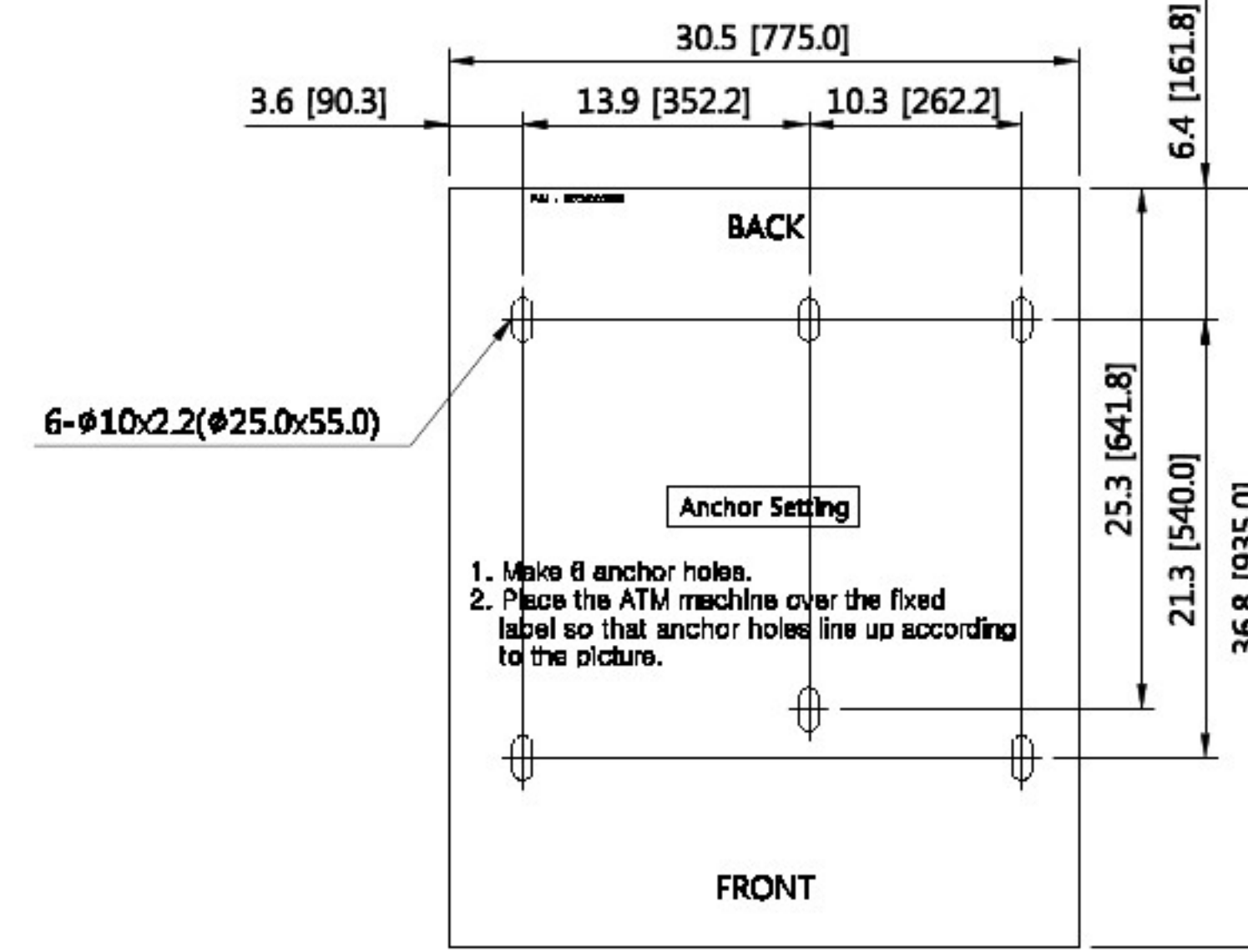


11 Installation Frame

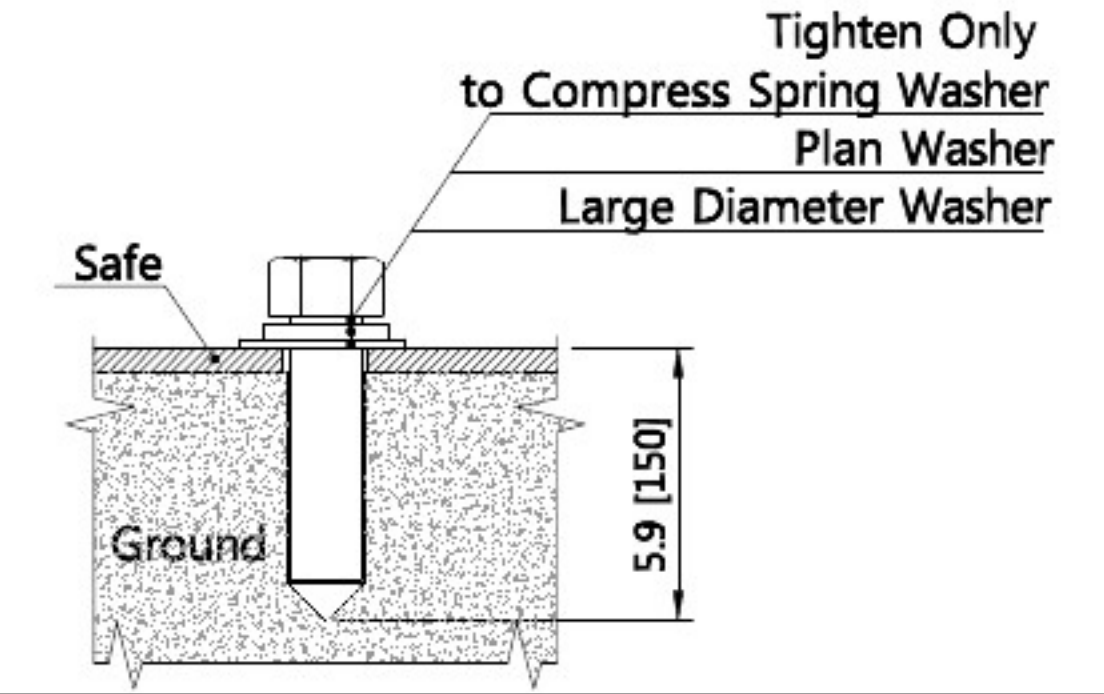
I. Bottom of ATM



II. Anchor Point



III. Anchor Detail



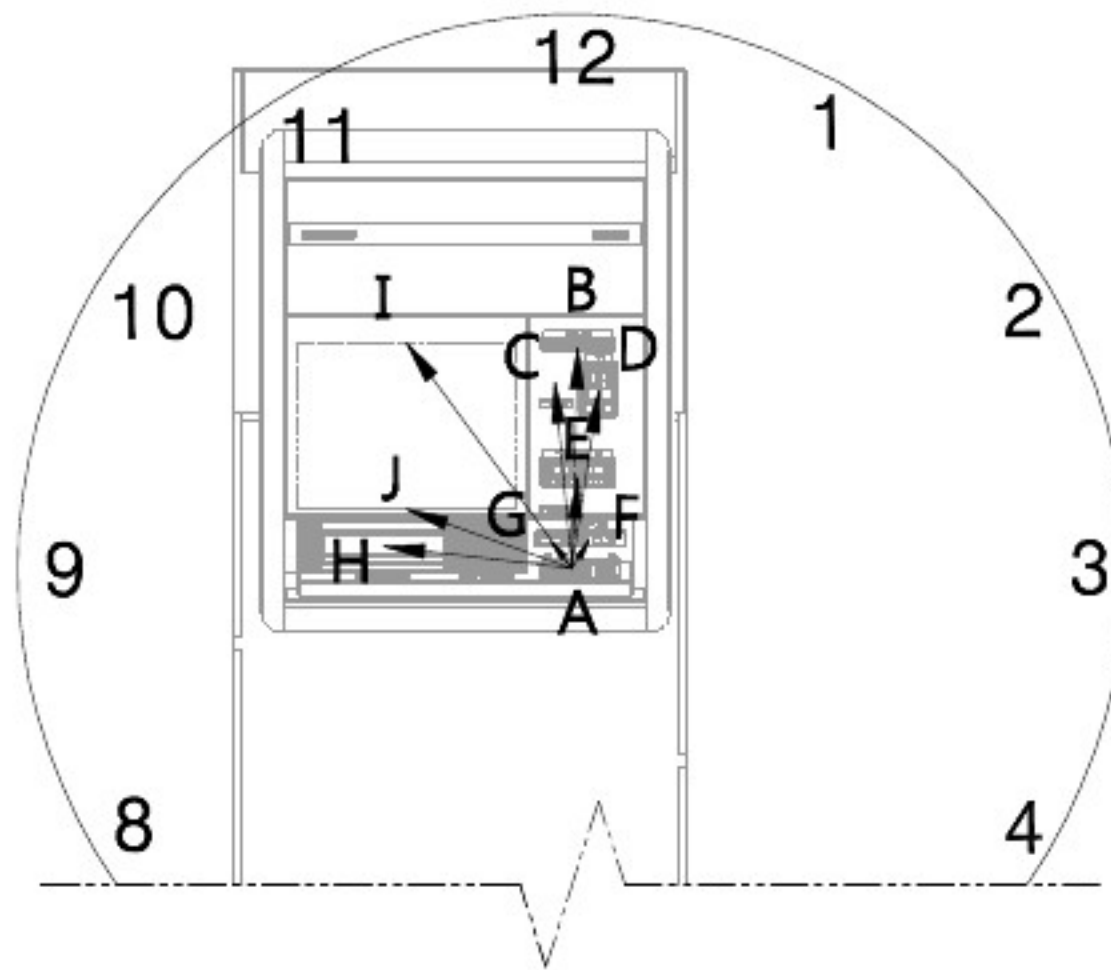
Bolts

- Type-either resin anchor or shield anchor bolts
- Size-5/8 in.(M16)
- Minimum Length-5.9 in.(150mm)
- Strength-high tensile(minimum ISO property class 8.8)

Washers

- Type-flat,steel(as per DIN7349 or equivalent)
- Size-5/8 in.(M16)
- Outer diameter-no greater than 1.58 in.(40mm)
- Minimum thickness-0.2in.(6mm)

12 Access For Device



Device	Height (from base of ATM)	Depth(wall 10") (from front of ATM)	Depth(wall 13") (from front of ATM)	Depth(wall 15") (from front of ATM)	Distance from No.5 Key <3D Distance>	Clock Face Position (Relative to No.5Key)
A	Encrypting PIN Pad 29.2inch [740.9mm]	4.8inch [121.5mm]	7.8inch [197.7mm]	9.8inch [248.5mm]	0	0
B	Receipt Printer 44.0inch [1117.4mm]	9.5inch [241.8mm]	12.5inch [318.0mm]	14.5inch [368.8mm]	15.6inch [395.4mm]	12
C	NFC 41.7inch [1059.8mm]	8.7inch [221.0mm]	11.7inch [297.2mm]	13.7inch [348.0mm]	13.2inch [335.5mm]	12
D	Card Reader 41.1inch [1043.7mm]	7.0inch [177.8mm]	10.0inch [254.0mm]	12.0inch [304.8mm]	12.3inch [311.5mm]	12
E	Cash/Check Insert Module 35.4inch [899.2mm]	6.4inch [161.6mm]	9.4inch [237.8mm]	11.4inch [288.6mm]	6.8inch [173.7mm]	12
F	Earphone Jack 31.1inch [789.2mm]	6.2inch [157.4mm]	9.2inch [233.6mm]	11.2inch [284.4mm]	2.6inch [66.7mm]	1
G	BARCODE 31.0inch [787.6mm]	6.2inch [158.0mm]	9.2inch [234.2mm]	11.2inch [285.0mm]	2.7inch [69.4mm]	11
H	Cash Dispenser 30.7inch [780.9mm]	6.2inch [157.3mm]	9.2inch [233.5mm]	11.2inch [284.3mm]	12.9inch [327.5mm]	9
I	Screen Top 44.3inch [1125.5mm]	9.6inch [245.0mm]	12.6inch [321.2mm]	14.6inch [372.0mm]	19.4inch [493.2mm]	11
J	Screen Bottom 33.1inch [841.6mm]	5.6inch [141.6mm]	8.6inch [217.8mm]	10.6inch [268.6mm]	11.6inch [301.1mm]	10

13 Power Requirements

I. The power for the site

- 100~127Vac(±10%), at 50/60(±3)Hz, Single-phase

II. Power Consumption

- Idle
HEATER OFF : 204 W
HEATER ON : 496 W
- Transaction (Max)
HEATER OFF : 346 W
HEATER ON : 610 W

III. Thermal Output

- Idle
HEATER OFF : 696.1 BTU/hr
HEATER ON : 1692.4 BTU/hr
- Transaction (Max)
HEATER OFF : 1180.6 BTU/hr
HEATER ON : 2081.4 BTU/hr

IV. Environmental Conditions:

- Temperature: 32°F - 104°F (0°C ~ 40°C)
- Humidity 25% - 85%

"Note 1: MX8300T ATM must have a dedicated 20A service"

The power use depends on the number and type of devices present in the recycler/dispenser and the type of transaction the recycler/dispenser is performing

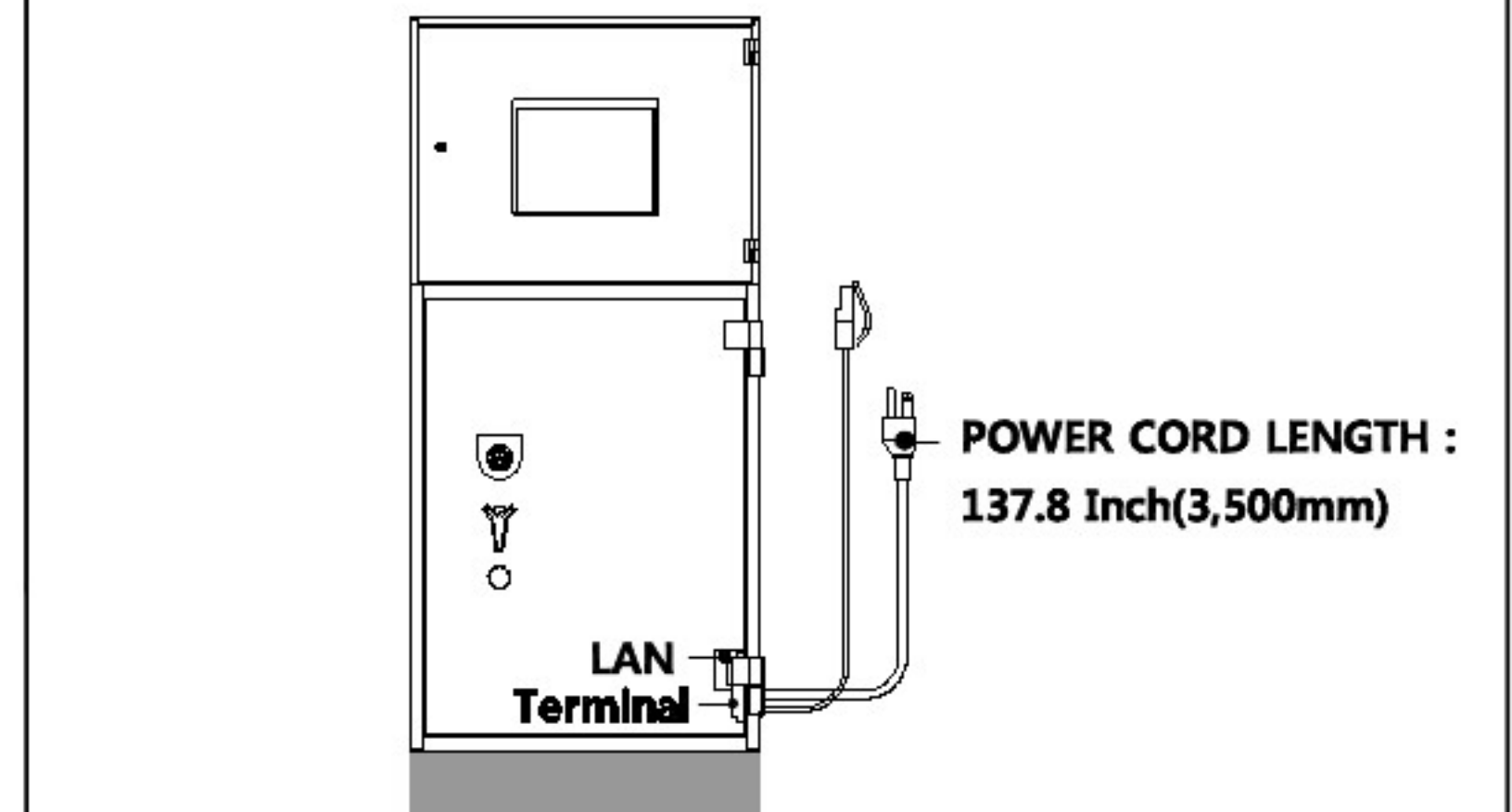
14 Installation Guide

PHYSICAL SECURITY

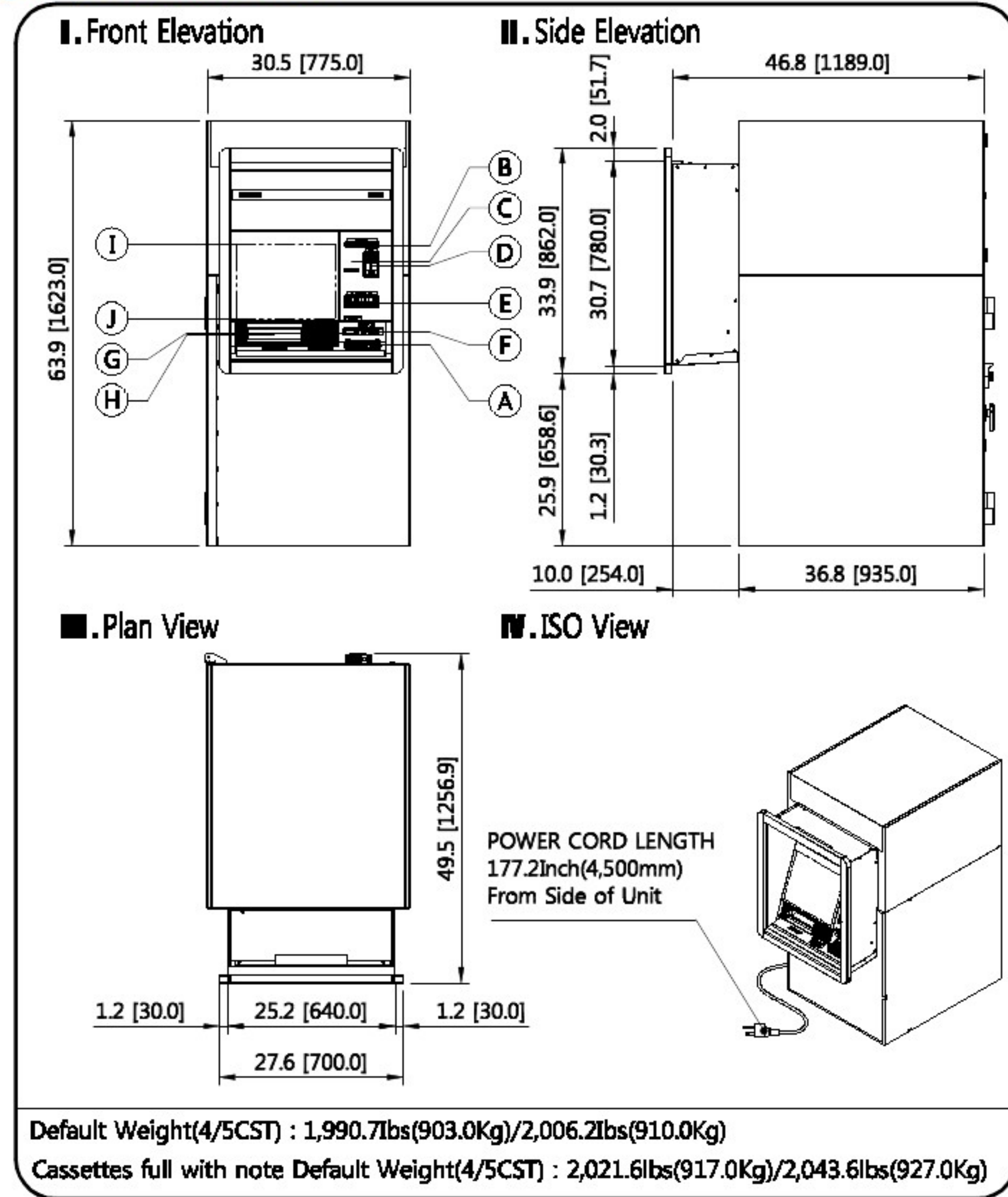
THE SECURITY SAFE MEETS THE ATTACK TEST PER UL 291. THE SAFE DOOR HAS A POSITIVE RELOCKING FEATURE. THE SAFE DOOR SHOULD BE CONTROLLED BY A MINIMUM OF A GROUP 2M UL LISTED COMBINATION LOCK WITH OR WITHOUT KEYLOCKING DIAL CAPABILITY OR OPTIONAL ELECTRONIC LOCK.

ALARM PROTECTION

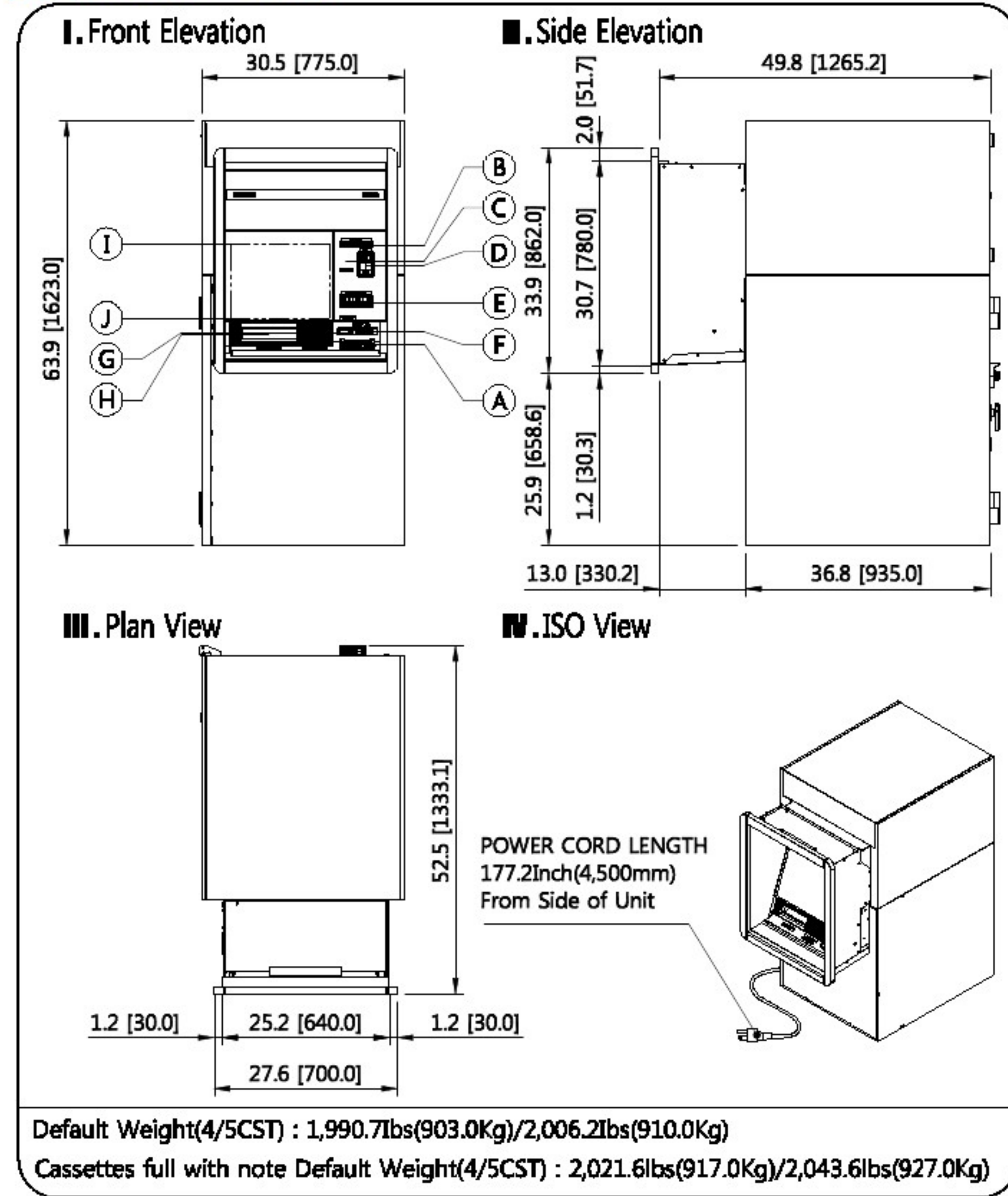
THE UL-LISTED SAFE IS EQUIPPED WITH A BASIC ALARM SENSOR. IT IS INCLUDED SAFE DOOR OPEN SWITCH, BASIC ALARM & HEAT SENSOR. IF INSTALL SHUNTING LOCK WITH SAFE DOOR, IT IS AVAILABLE SHUNTING ALARM SWITCH.



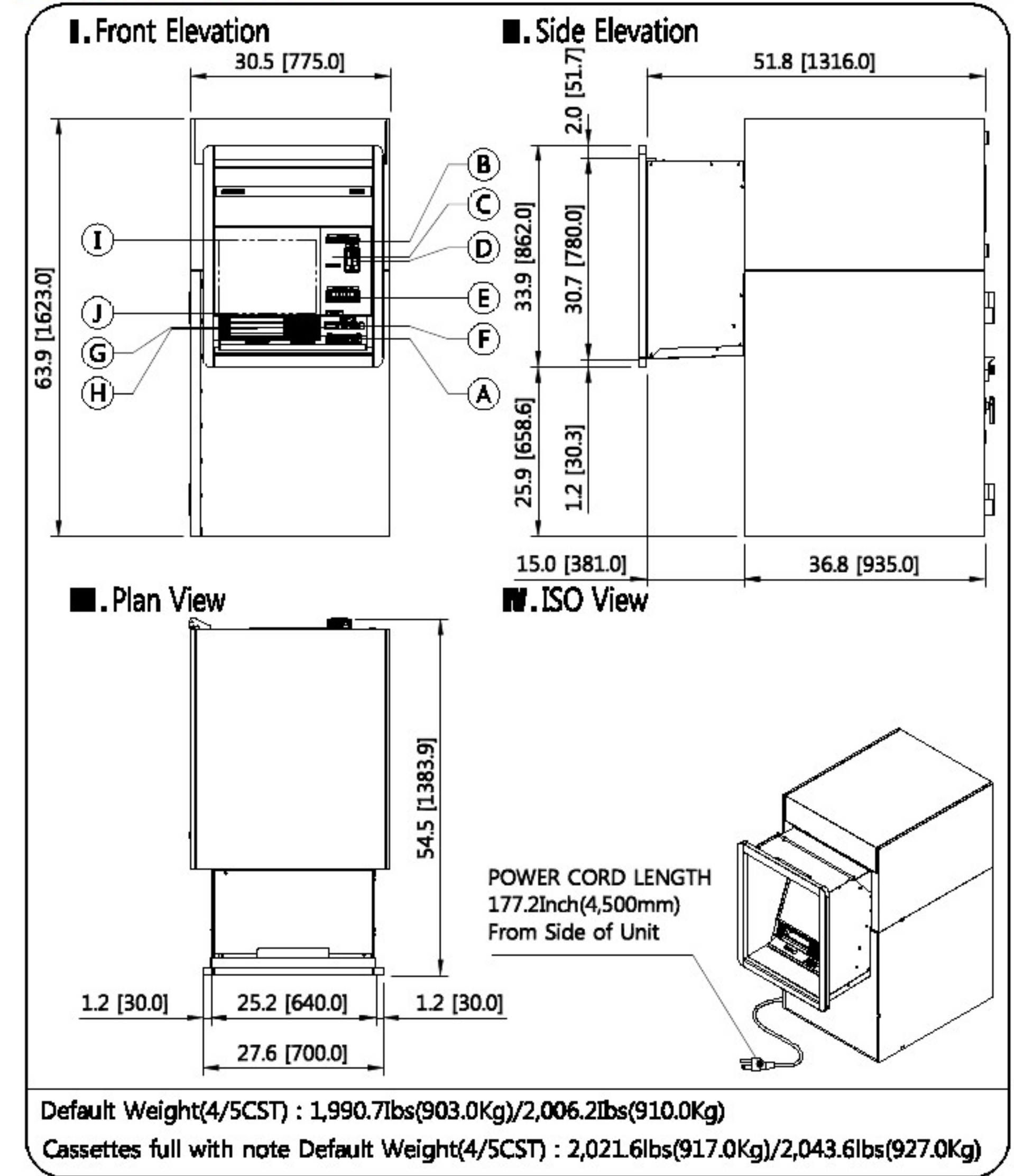
1 Exterior (10" Wall)



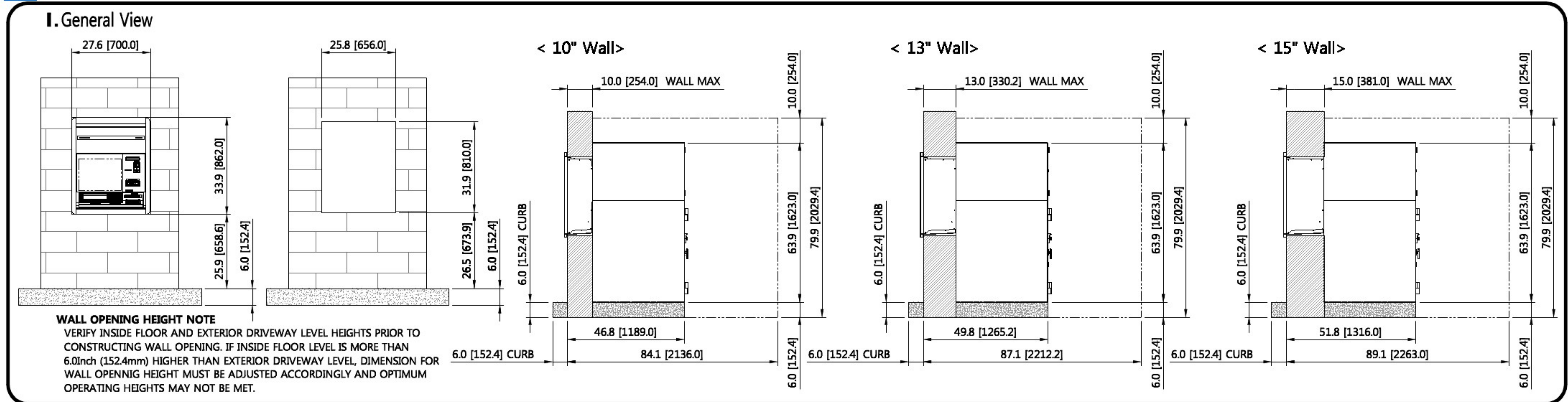
2 Exterior (13" Wall)



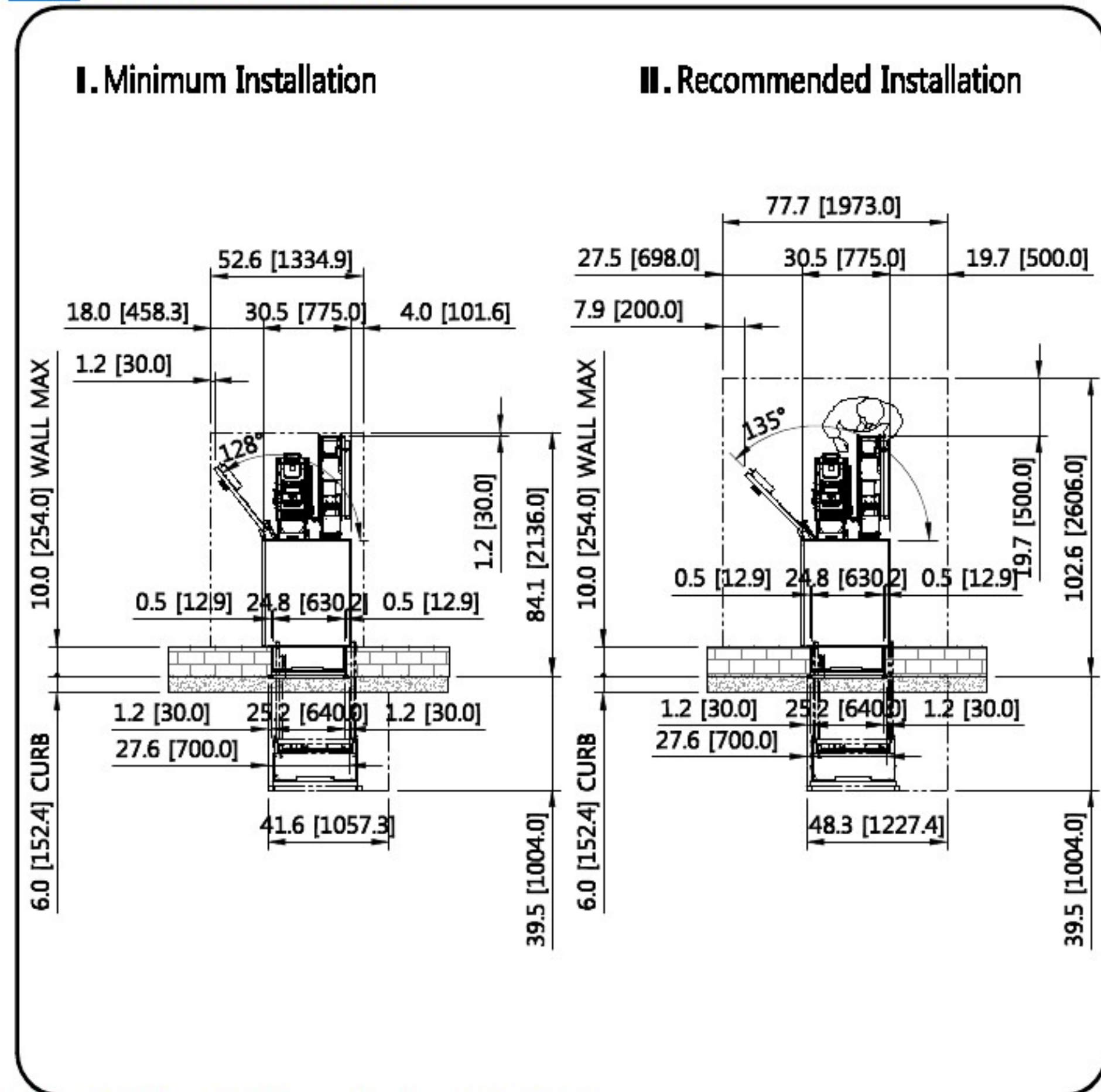
3 Exterior (15" Wall)



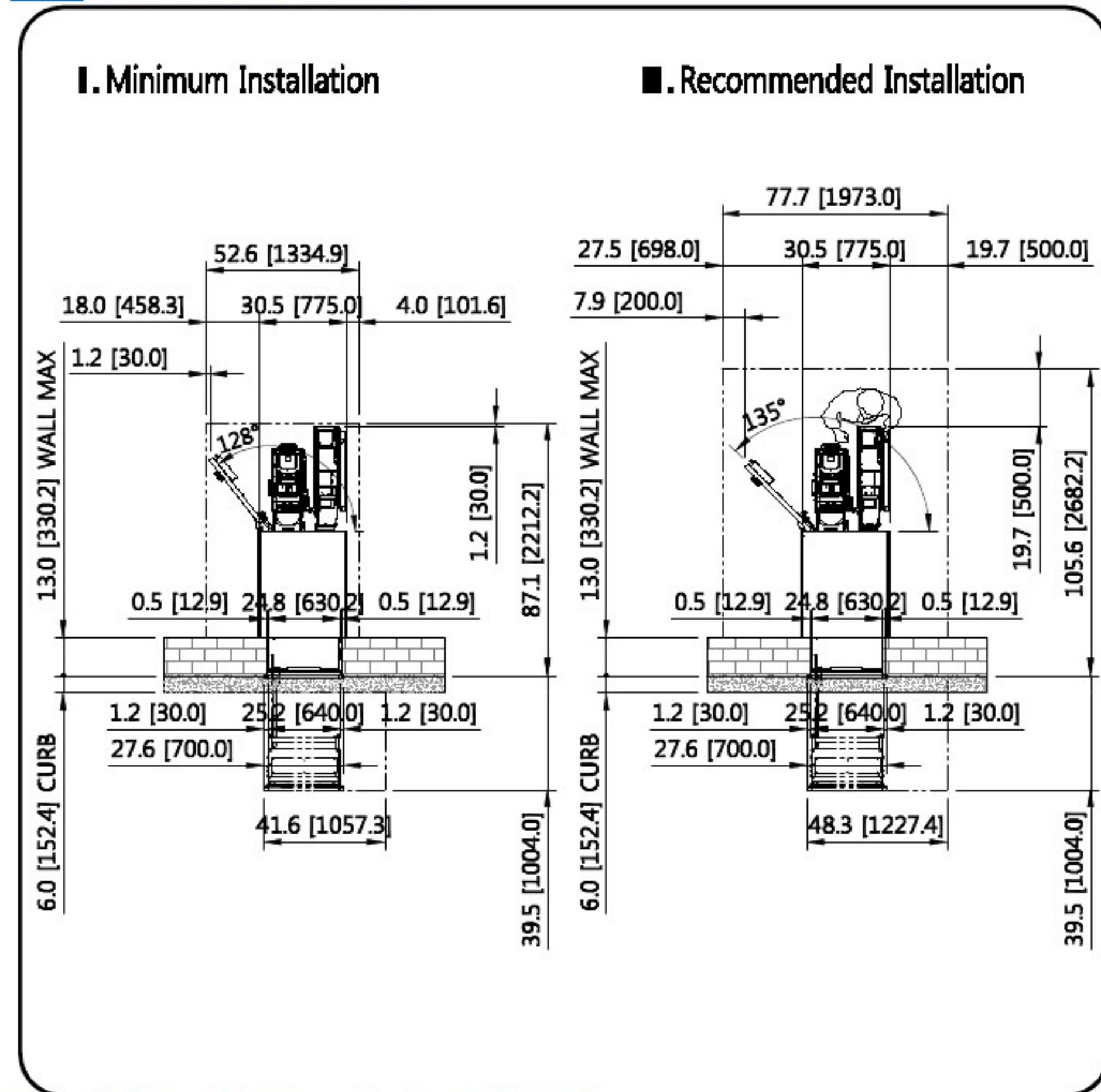
4 Service Area



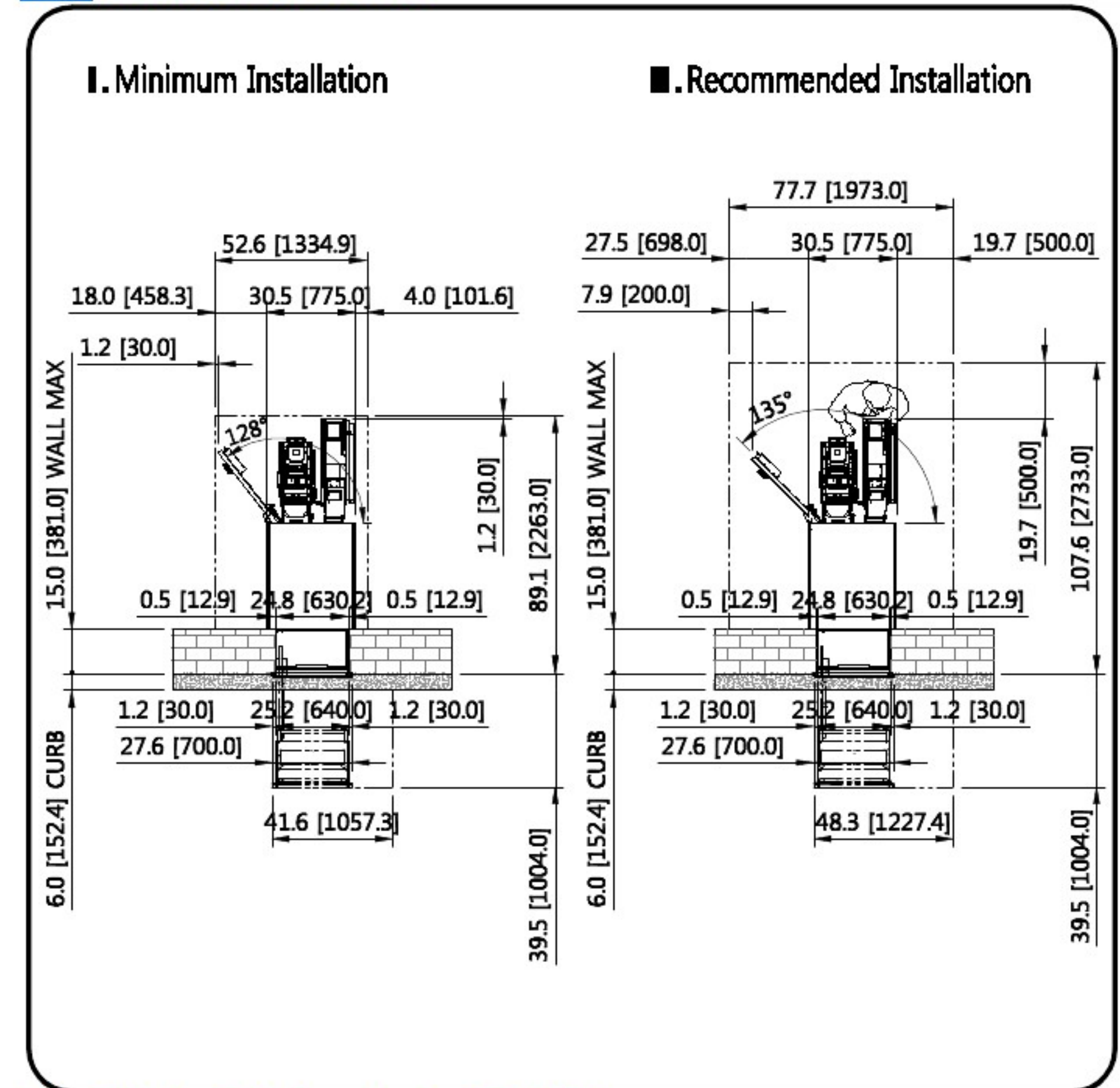
5 Installation (10" Wall)



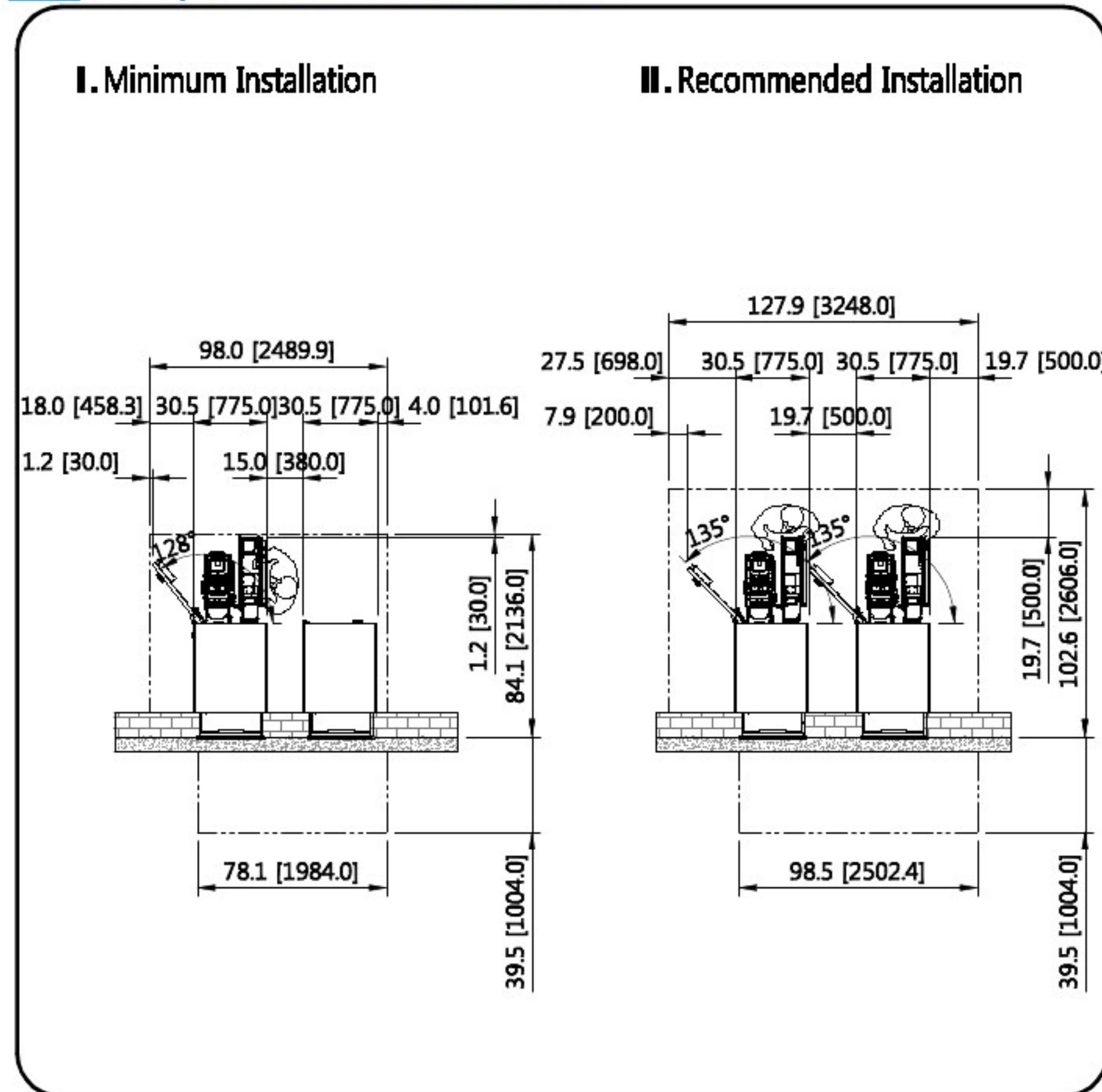
6 Installation (13" Wall)



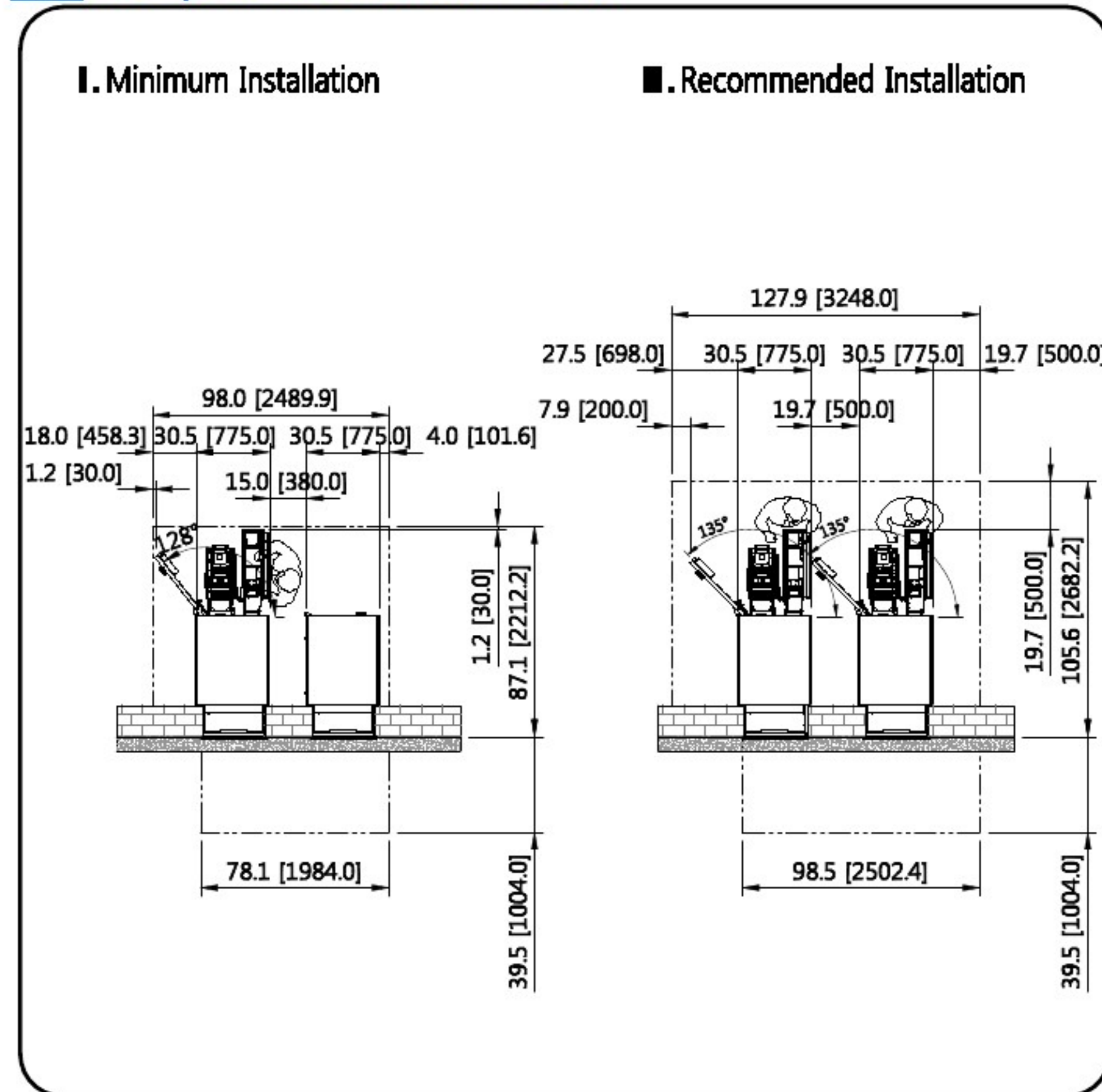
7 Installation (15" Wall)



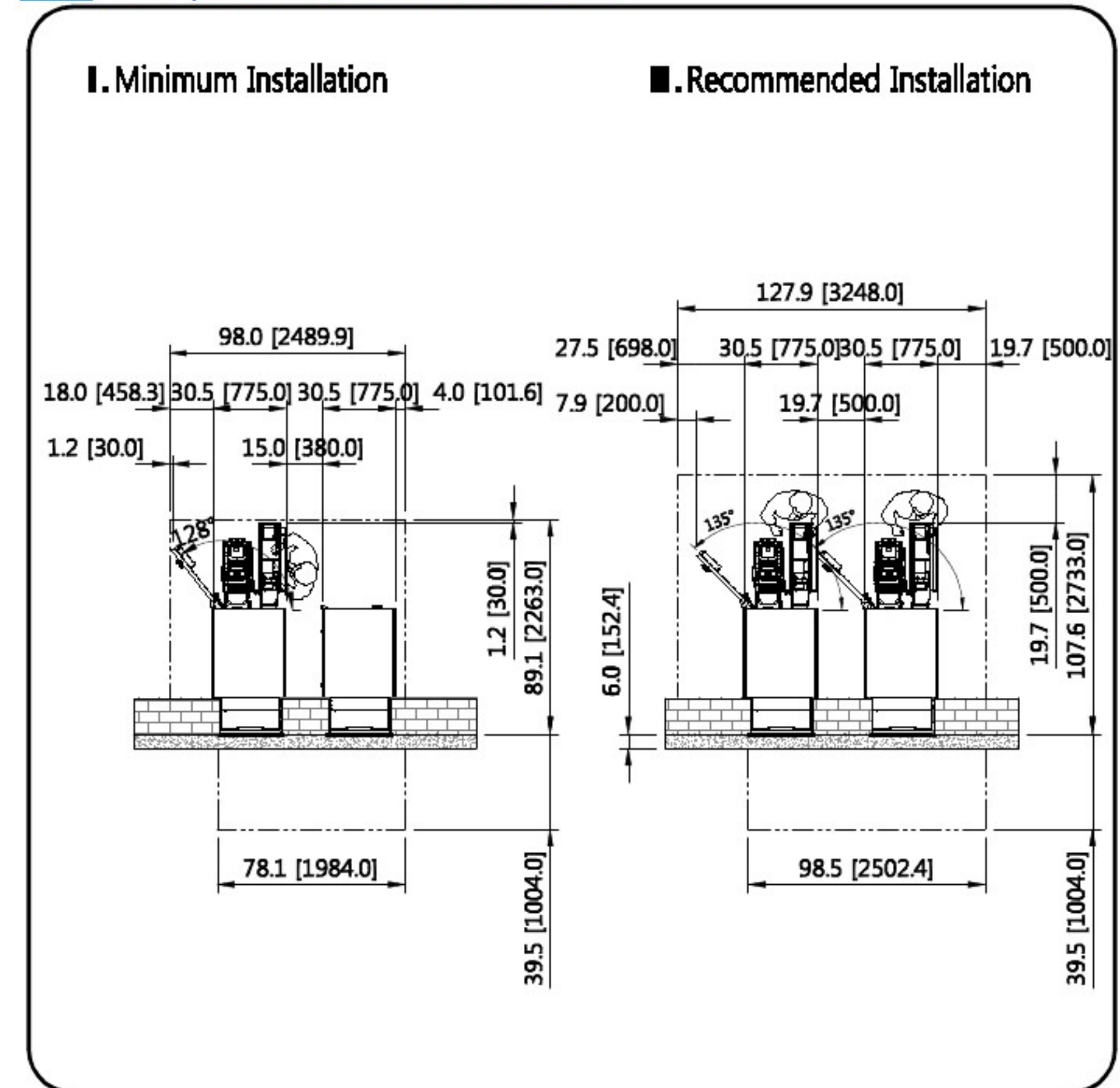
8 Side by Side installation (10" Wall)



9 Side by Side installation (13" Wall)

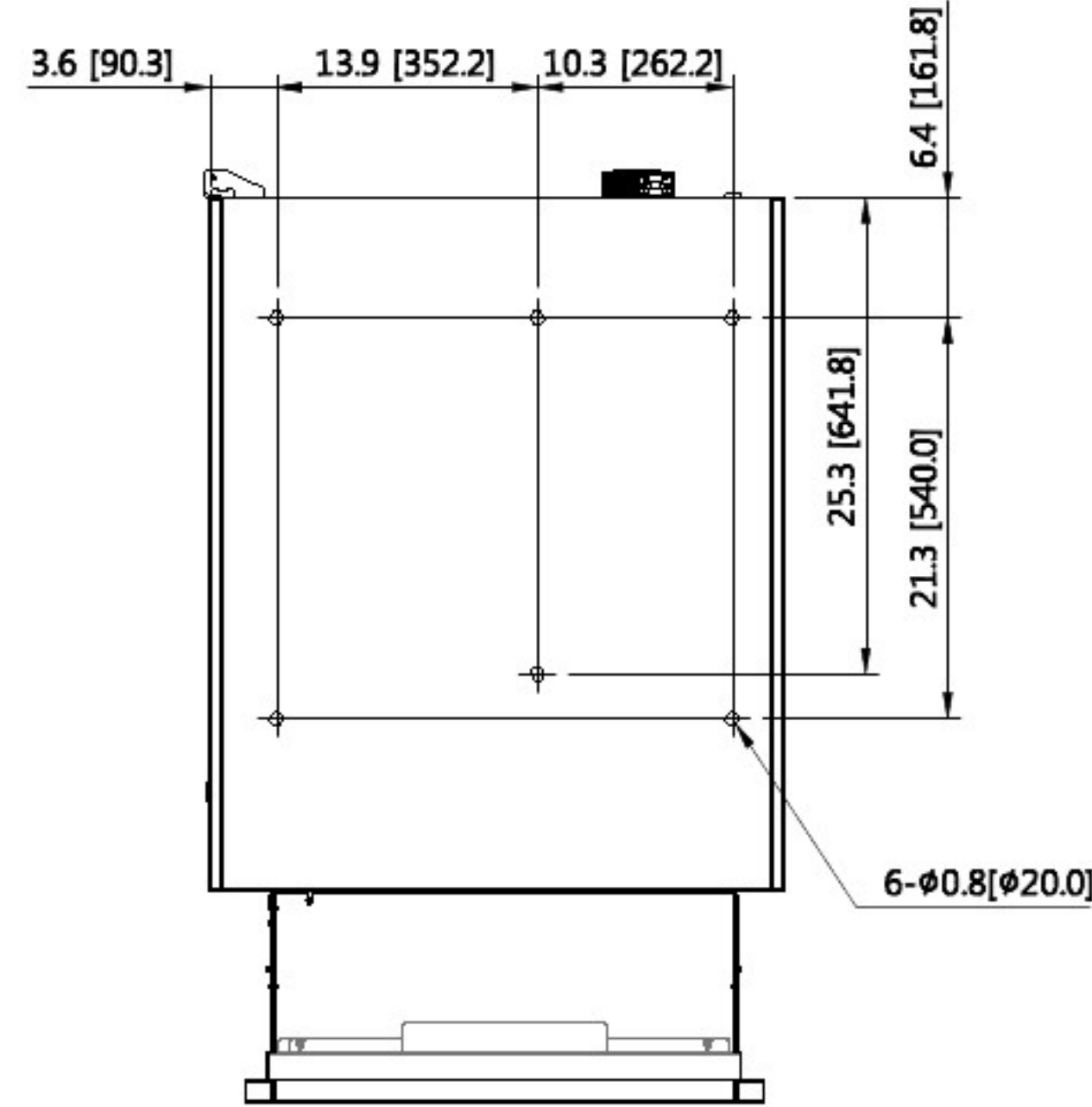


10 Side by Side installation (15" Wall)

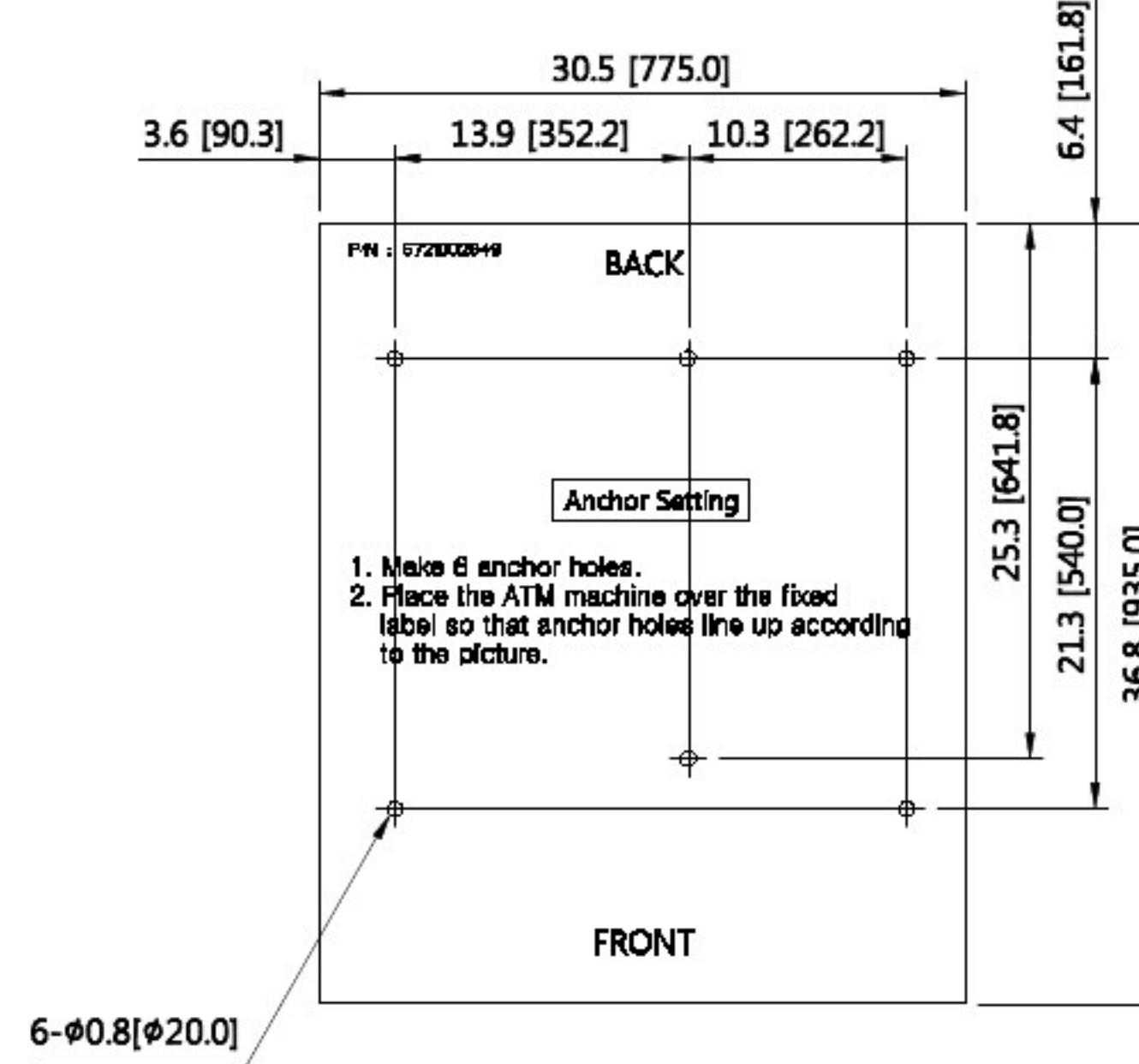


11 Installation Frame

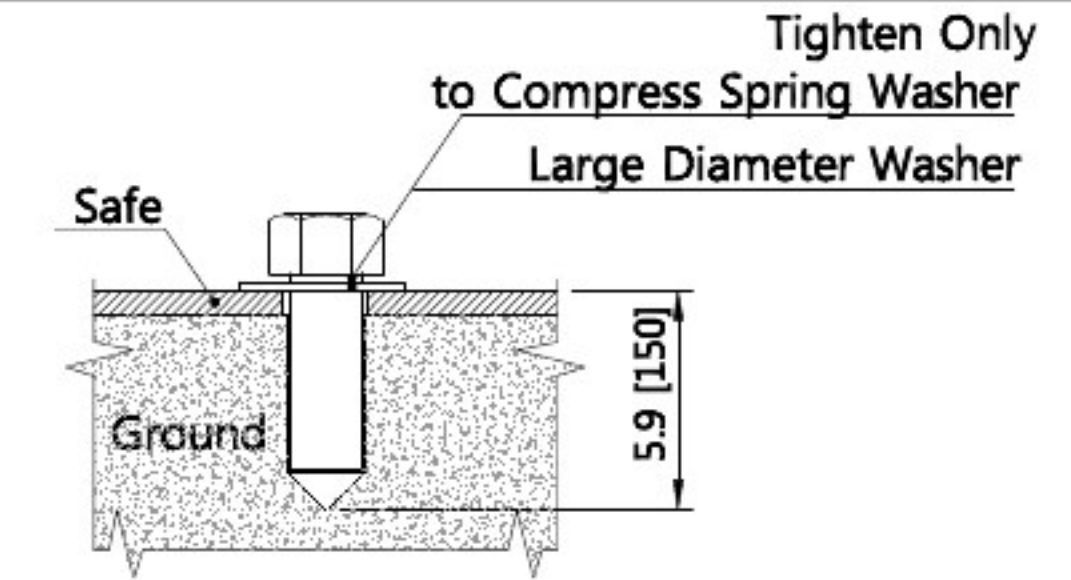
I. Bottom of ATM



II. Anchor Point



III. Anchor Detail



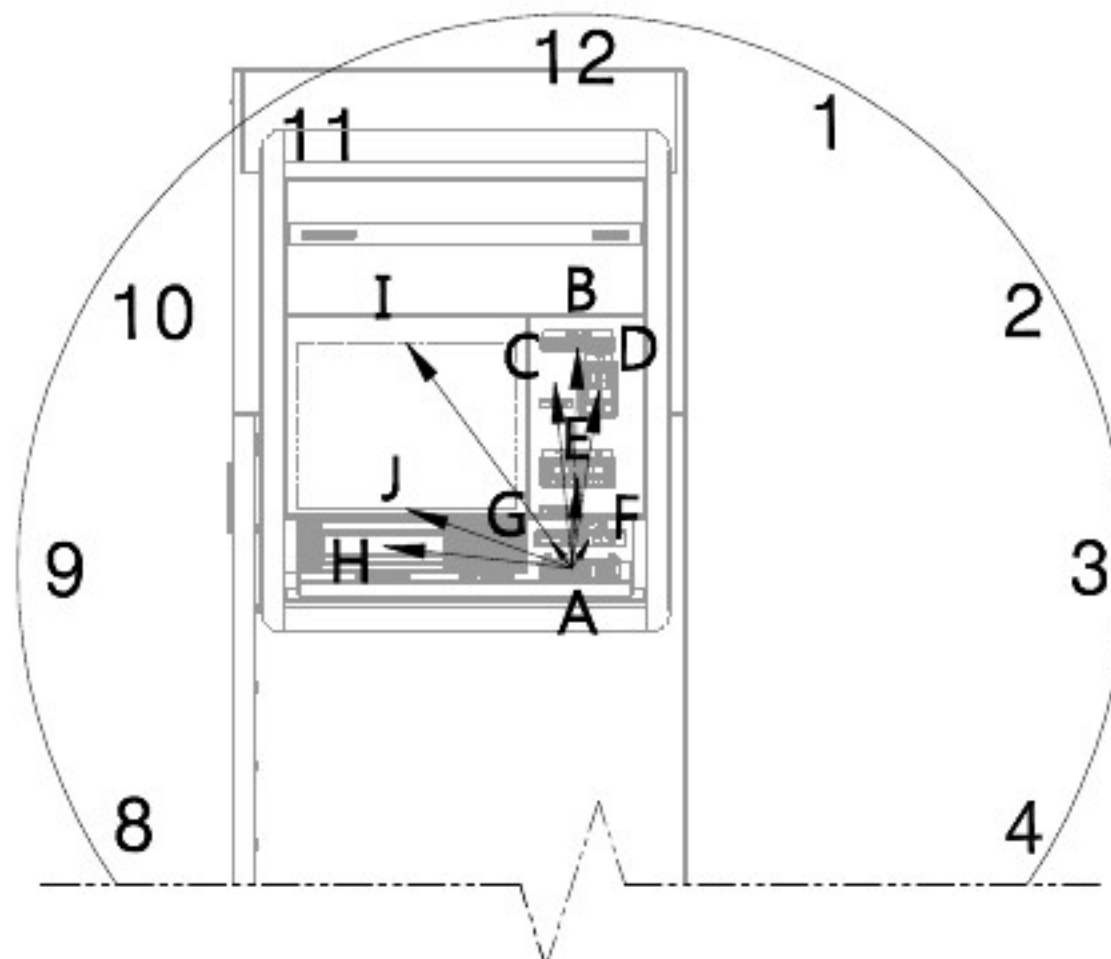
Bolts

- Type-steel 2ea(back direction), sus 304 2ea(front direction)
- Size-5/8 in.(M16)
- Minimum Length-5.9 in.(150mm)
- Strength-high tensile(minimum ISO property class 8.8)
- The screw thread diameter of the anchor should be more than 0.67 in.(17.0mm)

Washers

- Type-steel 2ea(as per DIN7349 or equivalent), sus 304 2ea
- Size-5/8 in.(M16)
- Outer diameter-no greater than 1.58 in.(40mm)
- Minimum thickness-0.16 in.(4mm)

12 Access For Device



Device	Height (from base of ATM)	Depth(wall 10") (from front of ATM)	Depth(wall 13") (from front of ATM)	Depth(wall 15") (from front of ATM)	Distance from No.5 Key <3D Distance>	Clock Face Position (Relative to No.5Key)
A Encrypting PIN Pad	30.2inch [768.2mm]	4.8inch [121.5mm]	7.8inch [197.7mm]	9.8inch [248.5mm]	0	0
B Receipt Printer	45.1inch [1144.7mm]	9.5inch [241.8mm]	12.5inch [318.0mm]	14.5inch [368.8mm]	15.6inch [395.4mm]	12
C NFC	42.8inch [1087.1mm]	8.7inch [221.0mm]	11.7inch [297.2mm]	13.7inch [348.0mm]	13.2inch [335.5mm]	12
D Card Reader	42.2inch [1071.0mm]	7.0inch [177.8mm]	10.0inch [254.0mm]	12.0inch [304.8mm]	12.3inch [311.5mm]	12
E Cash/Check Insert Module	36.5inch [926.5mm]	6.4inch [161.6mm]	9.4inch [237.8mm]	11.4inch [288.6mm]	6.8inch [173.7mm]	12
F Earphone Jack	32.1inch [816.5mm]	6.2inch [157.4mm]	9.2inch [233.6mm]	11.2inch [284.4mm]	2.6inch [66.7mm]	1
G BARCODE	32.1inch [814.9mm]	6.2inch [158.0mm]	9.2inch [234.2mm]	11.2inch [285.0mm]	2.7inch [69.4mm]	11
H Cash Dispenser	31.8inch [808.1mm]	6.2inch [157.3mm]	9.2inch [233.5mm]	11.2inch [284.3mm]	12.9inch [327.5mm]	9
I Screen Top	45.4inch [1152.8mm]	9.6inch [245.0mm]	12.6inch [321.2mm]	14.6inch [372.0mm]	19.4inch [493.2mm]	11
J Screen Bottom	34.2inch [868.9mm]	5.6inch [141.6mm]	8.6inch [217.8mm]	10.6inch [268.6mm]	11.6inch [301.1mm]	10

13 Power Requirements

I. The power for the site

- 100~127Vac(±10%), at 50/60(±3)Hz, Single-phase

II. Power Consumption

- Idle HEATER OFF : 204 W HEATER ON : 496 W
- Transaction (Max) HEATER OFF : 346 W HEATER ON : 610 W

III. Thermal Output

- Idle HEATER OFF : 696.1 BTU/hr HEATER ON : 1692.4 BTU/hr
- Transaction (Max) HEATER OFF : 1180.6 BTU/hr HEATER ON : 2081.4 BTU/hr

IV. Environmental Conditions:

- Temperature: 32°F - 104°F (0°C ~ 40°C)
- Humidity 25% - 85%

"Note 1: MX8300T ATM must have a dedicated 20A service"

The power use depends on the number and type of devices present in the recycler/dispenser and the type of transaction the recycler/dispenser is performing

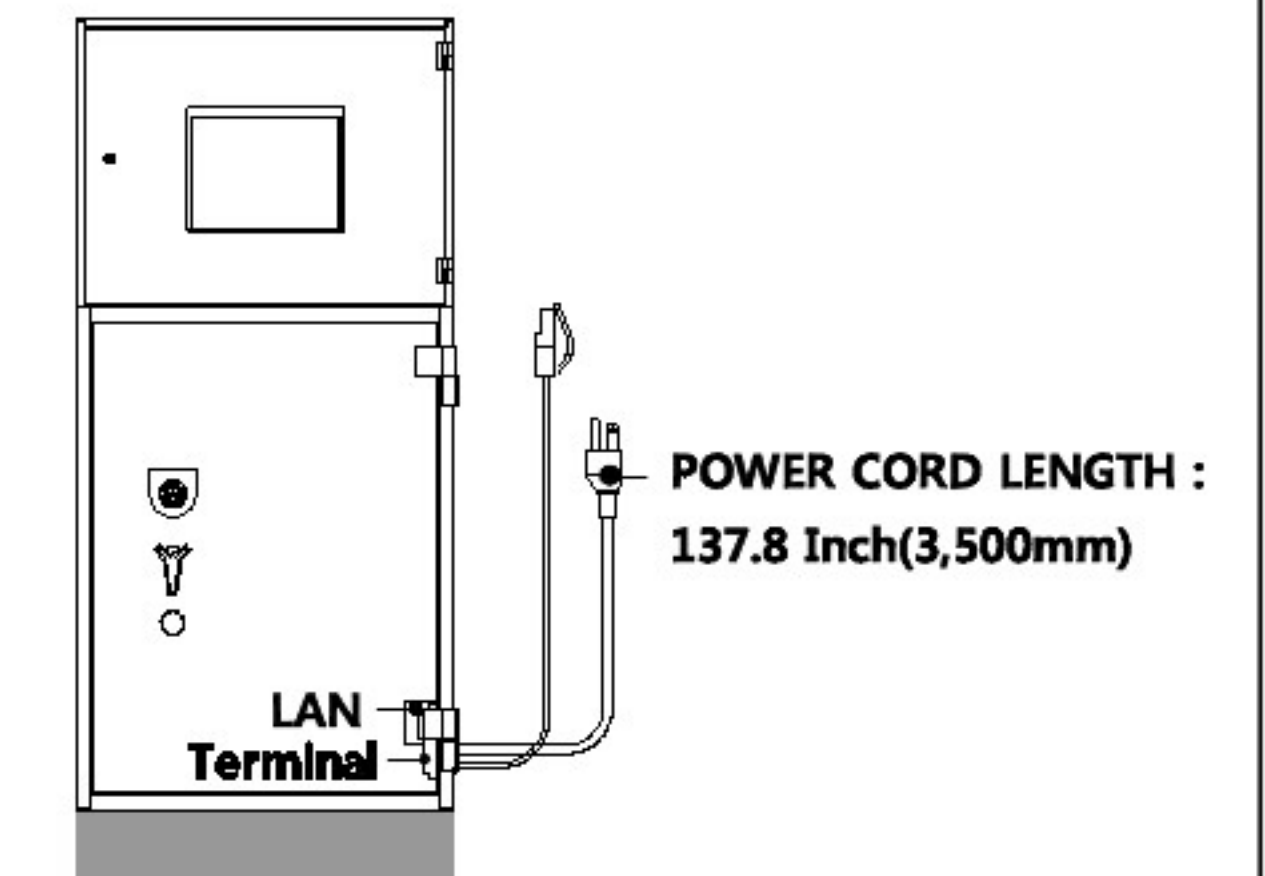
14 Installation Guide

PHYSICAL SECURITY

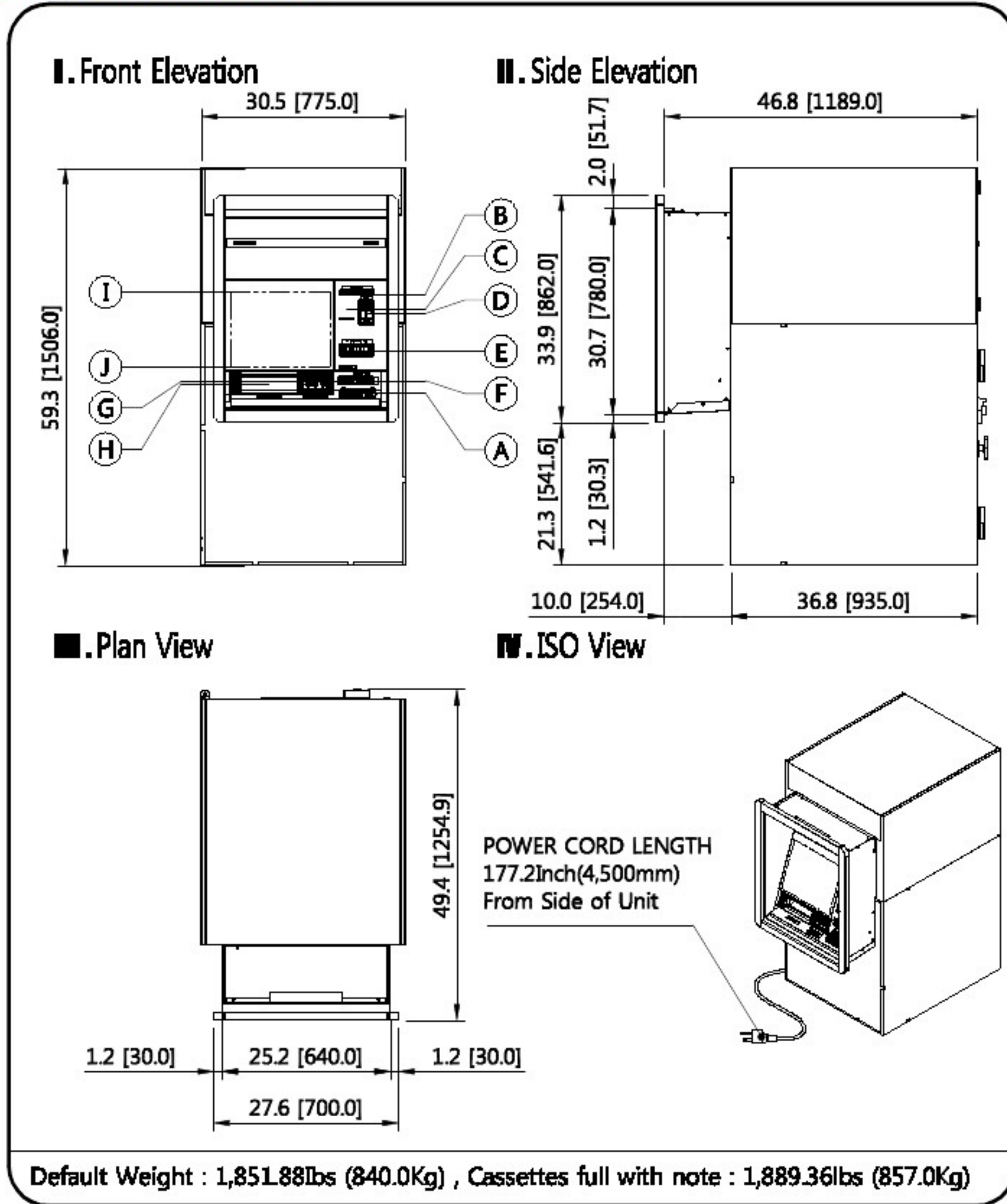
THE SECURITY SAFE MEETS THE ATTACK TEST PER UL 291. THE SAFE DOOR HAS A POSITIVE RELOCKING FEATURE. THE SAFE DOOR SHOULD BE CONTROLLED BY A MINIMUM OF A GROUP 2M UL LISTED COMBINATION LOCK WITH OR WITHOUT KEYLOCKING DIAL CAPABILITY OR OPTIONAL ELECTRONIC LOCK.

ALARM PROTECTION

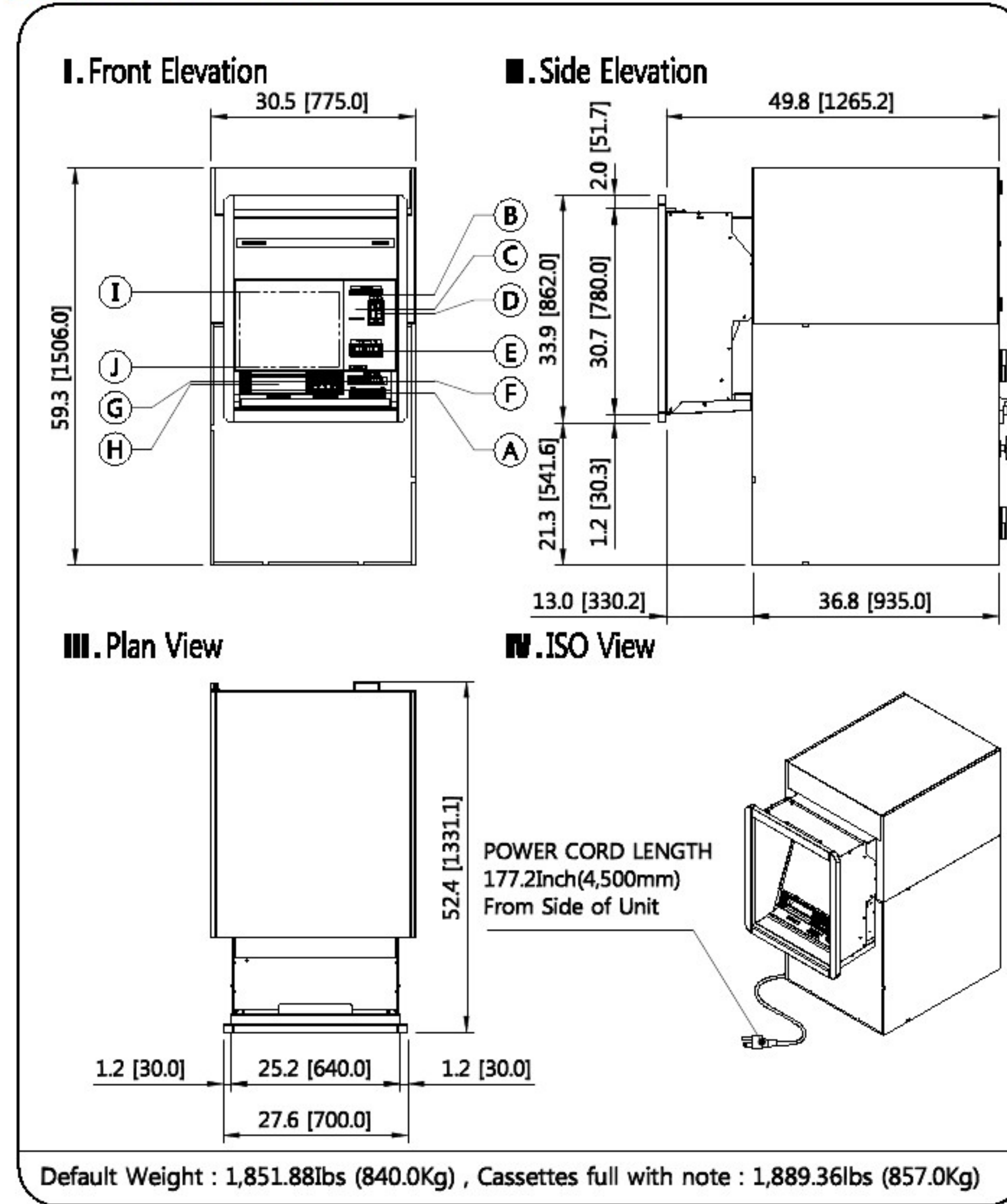
THE UL-LISTED SAFE IS EQUIPPED WITH A BASIC ALARM SENSOR. IT IS INCLUDED SAFE DOOR OPEN SWITCH, BASIC ALARM & HEAT SENSOR. IF INSTALL SHUNTING LOCK WITH SAFE DOOR, IT IS AVAILABLE SHUNTING ALARM SWITCH.



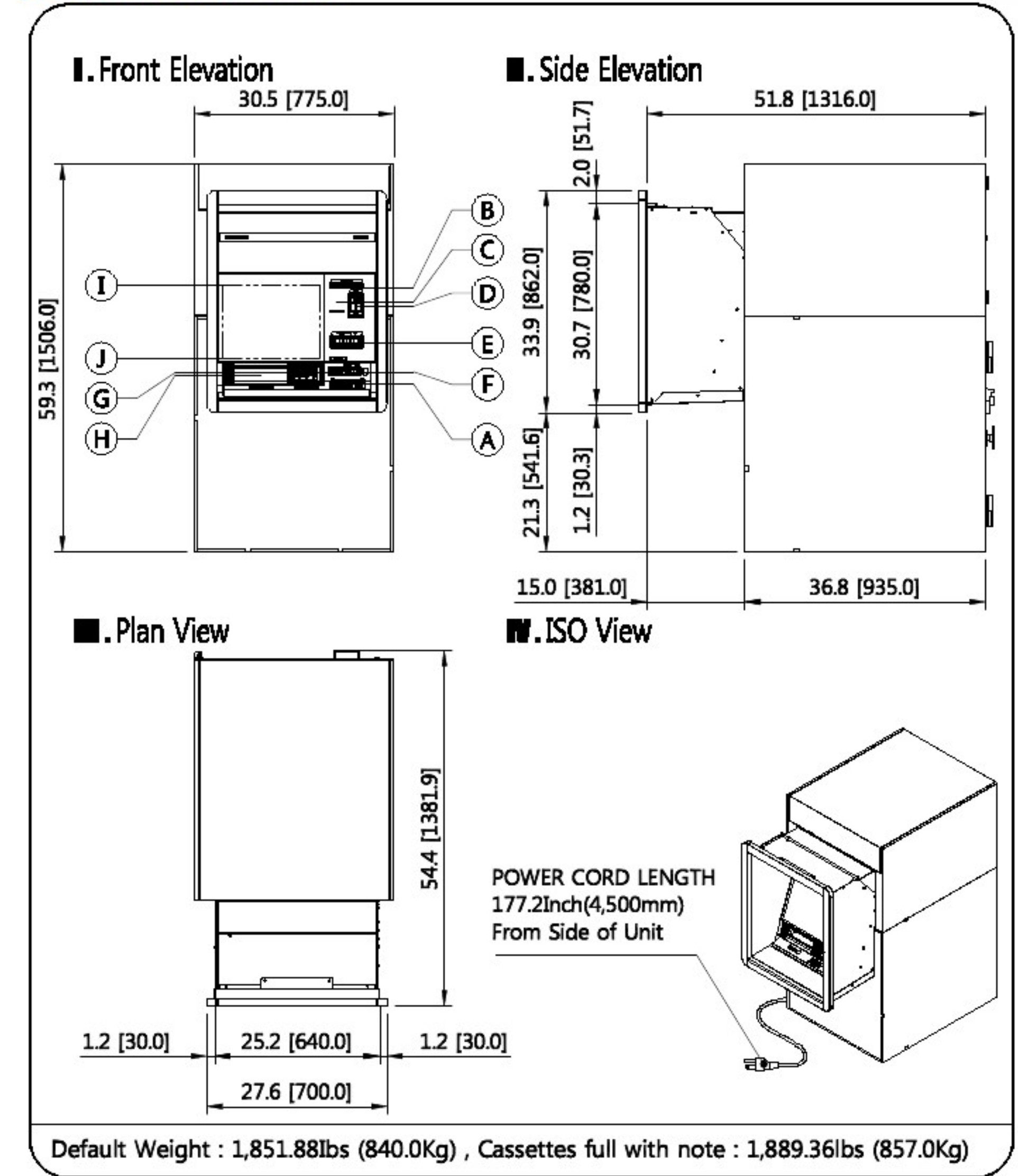
1 Exterior (10" Wall)



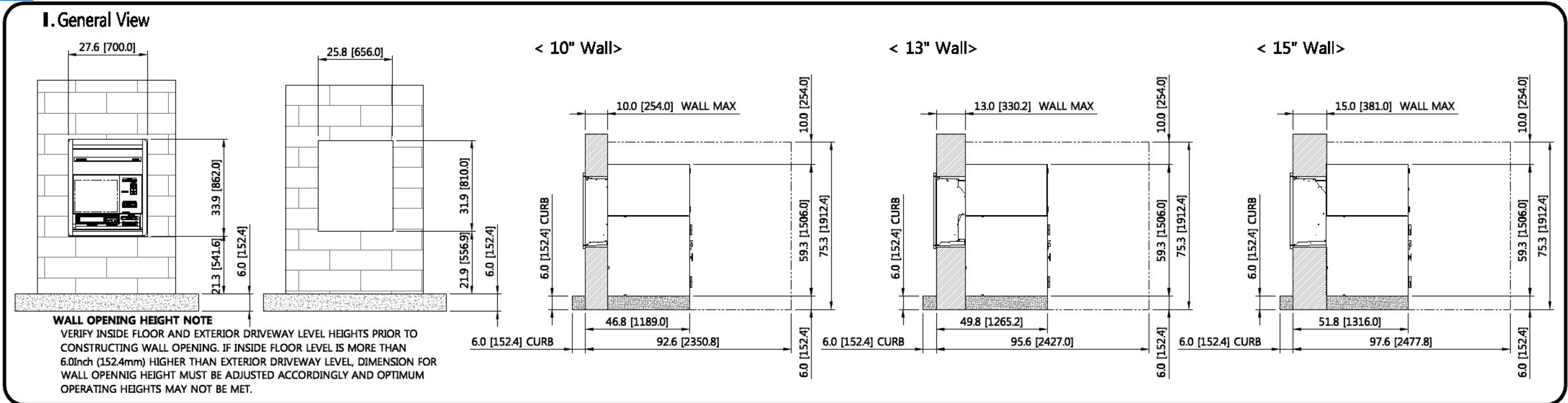
2 Exterior (13" Wall)



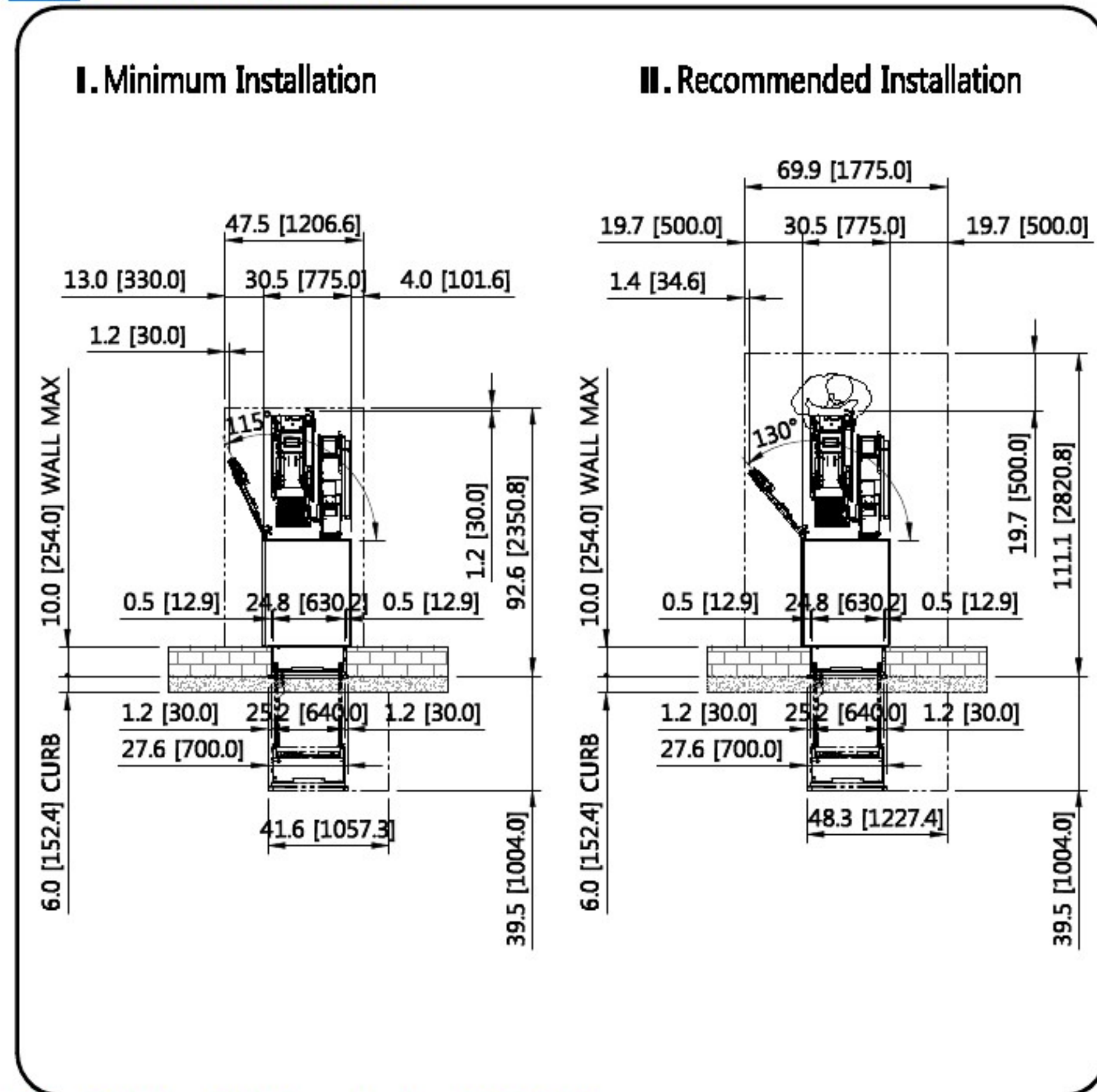
3 Exterior (15" Wall)



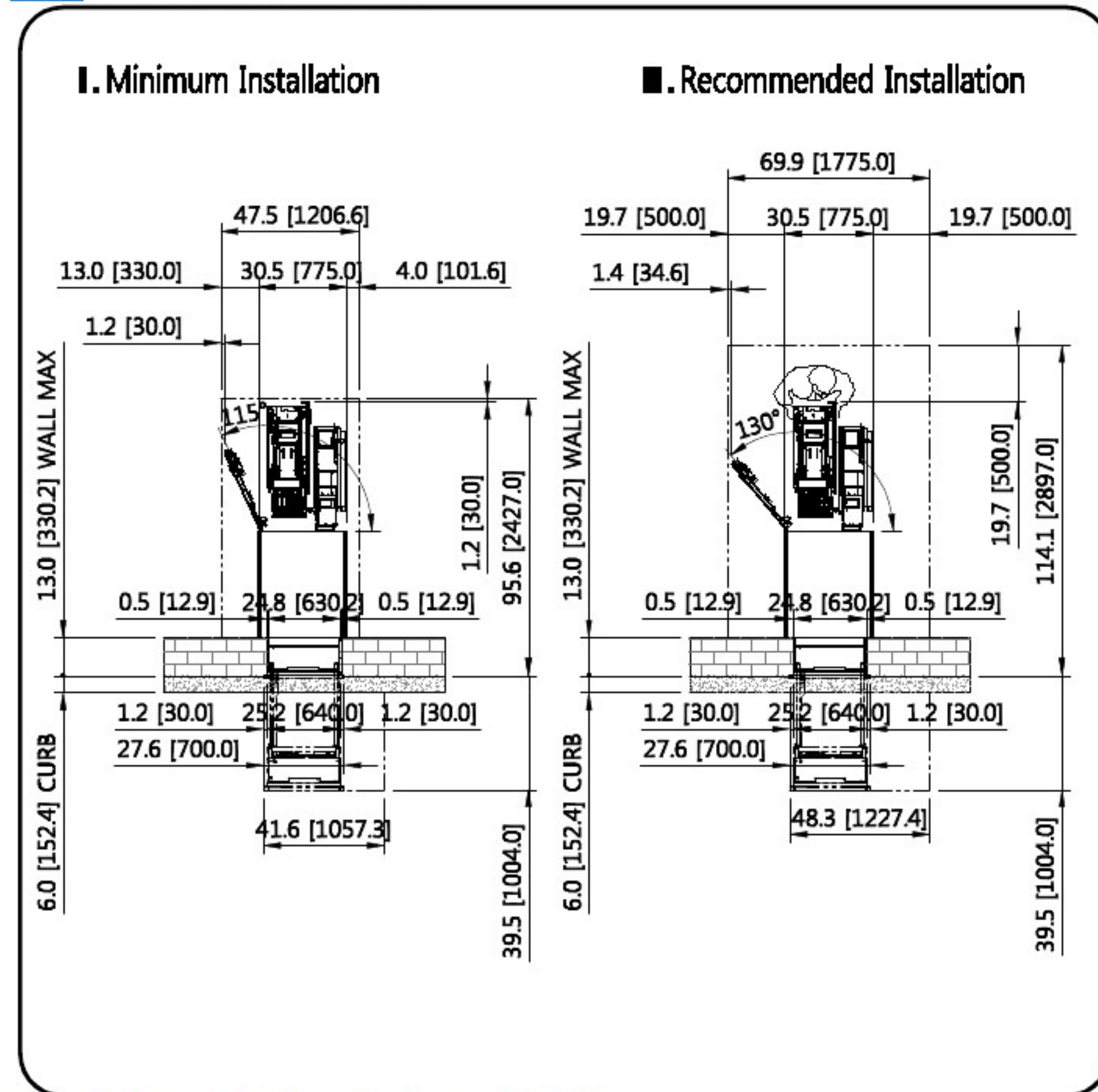
4 Service Area



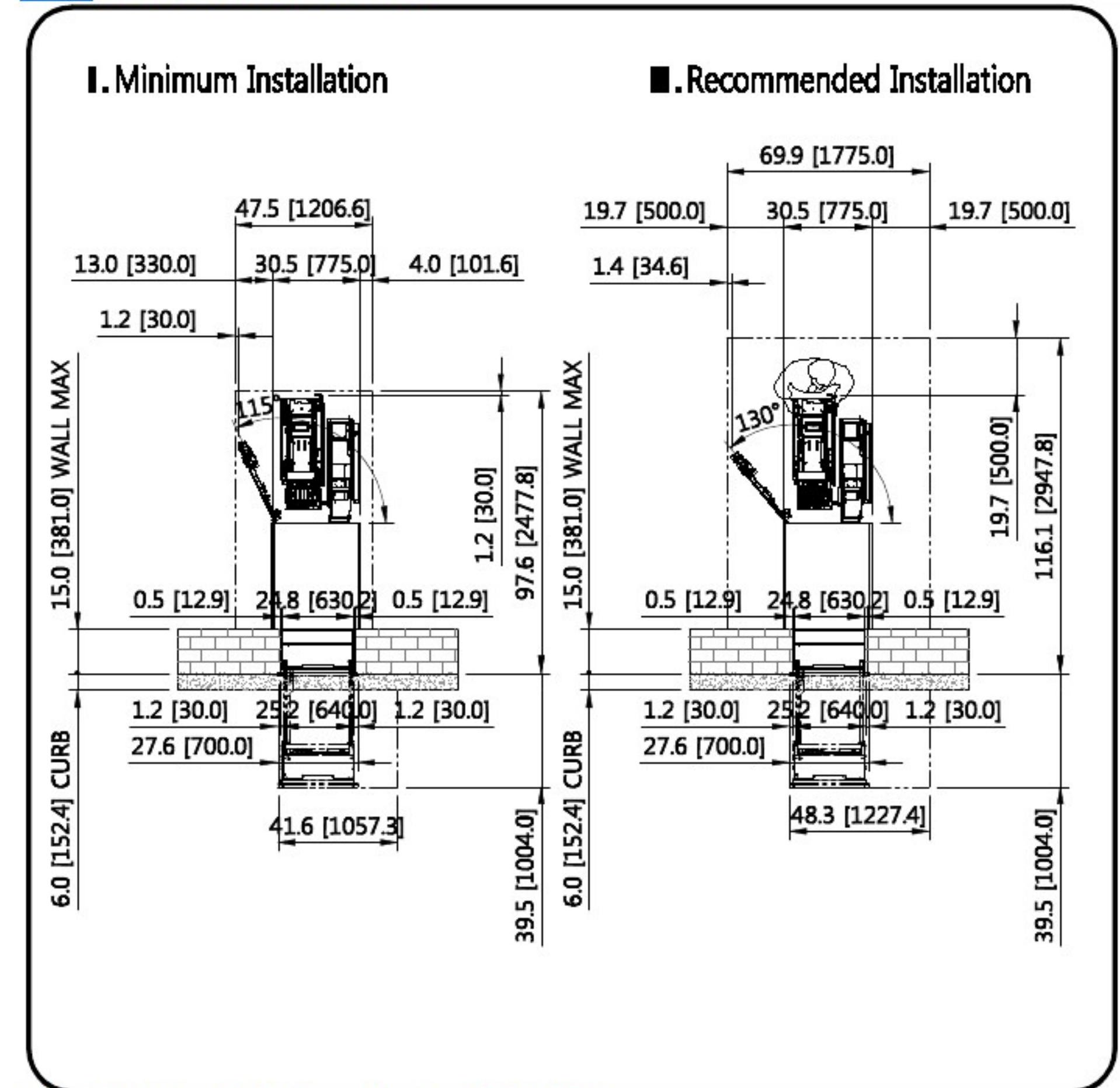
5 Installation (10" Wall)



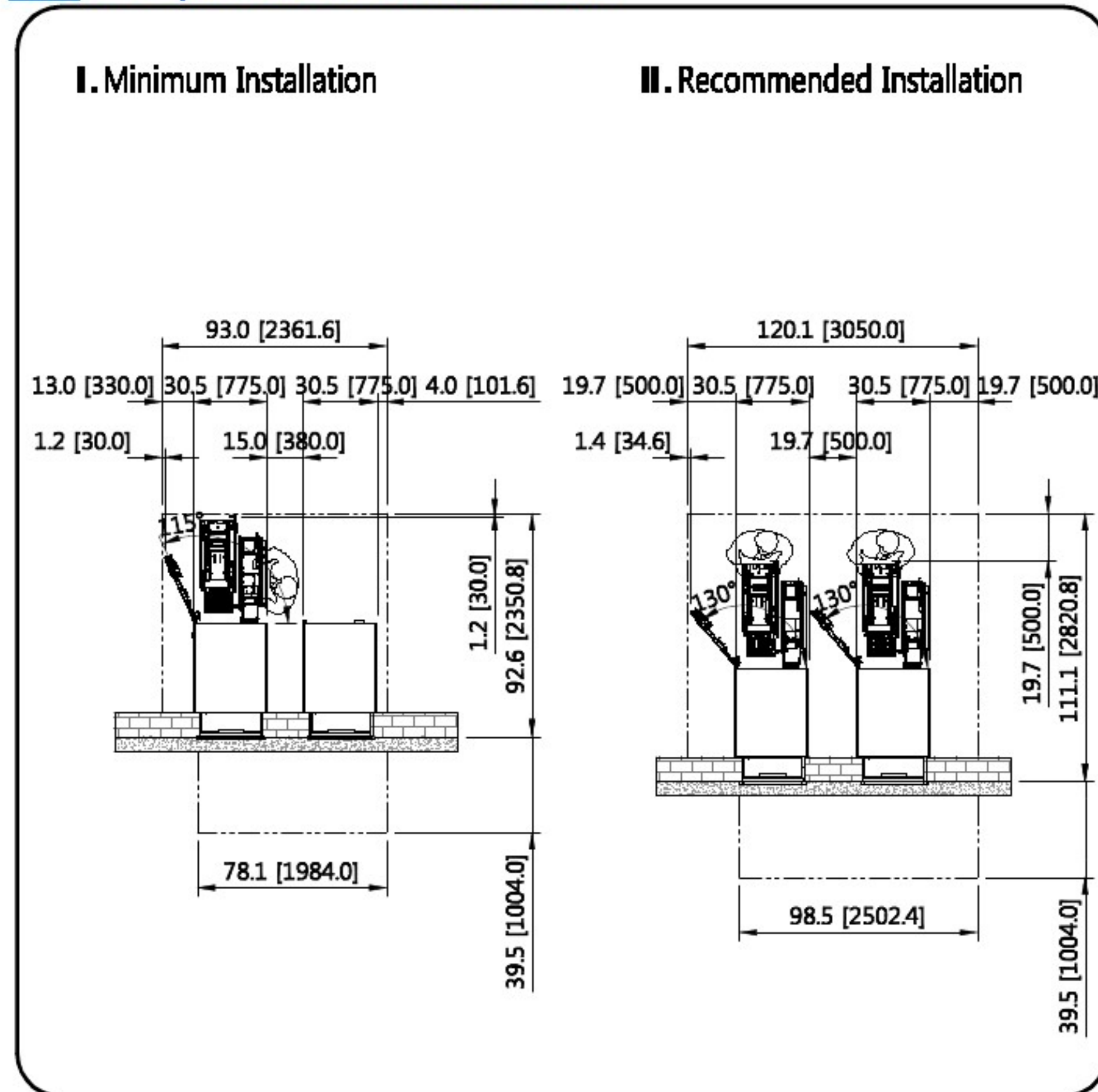
6 Installation (13" Wall)



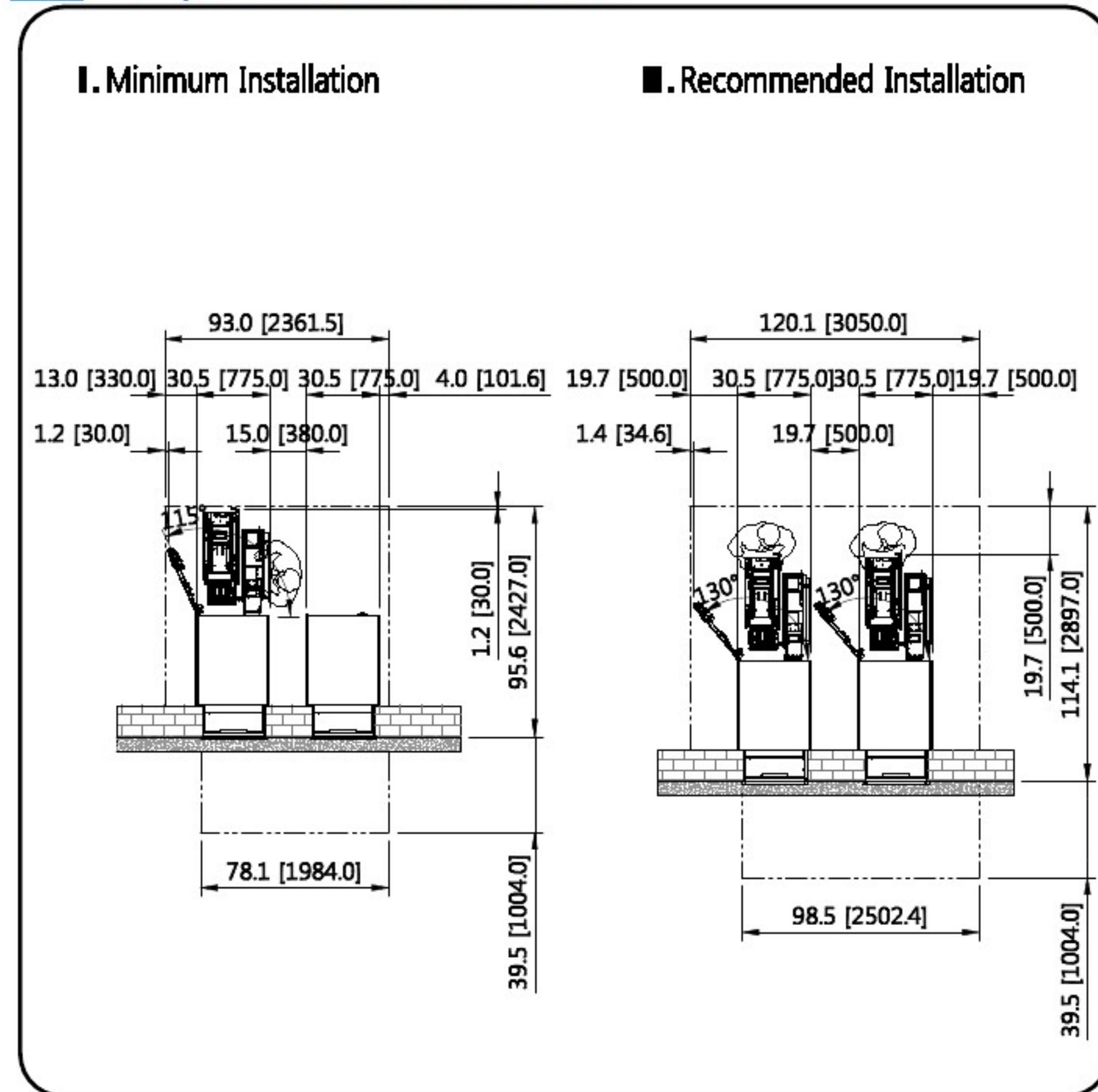
7 Installation (15" Wall)



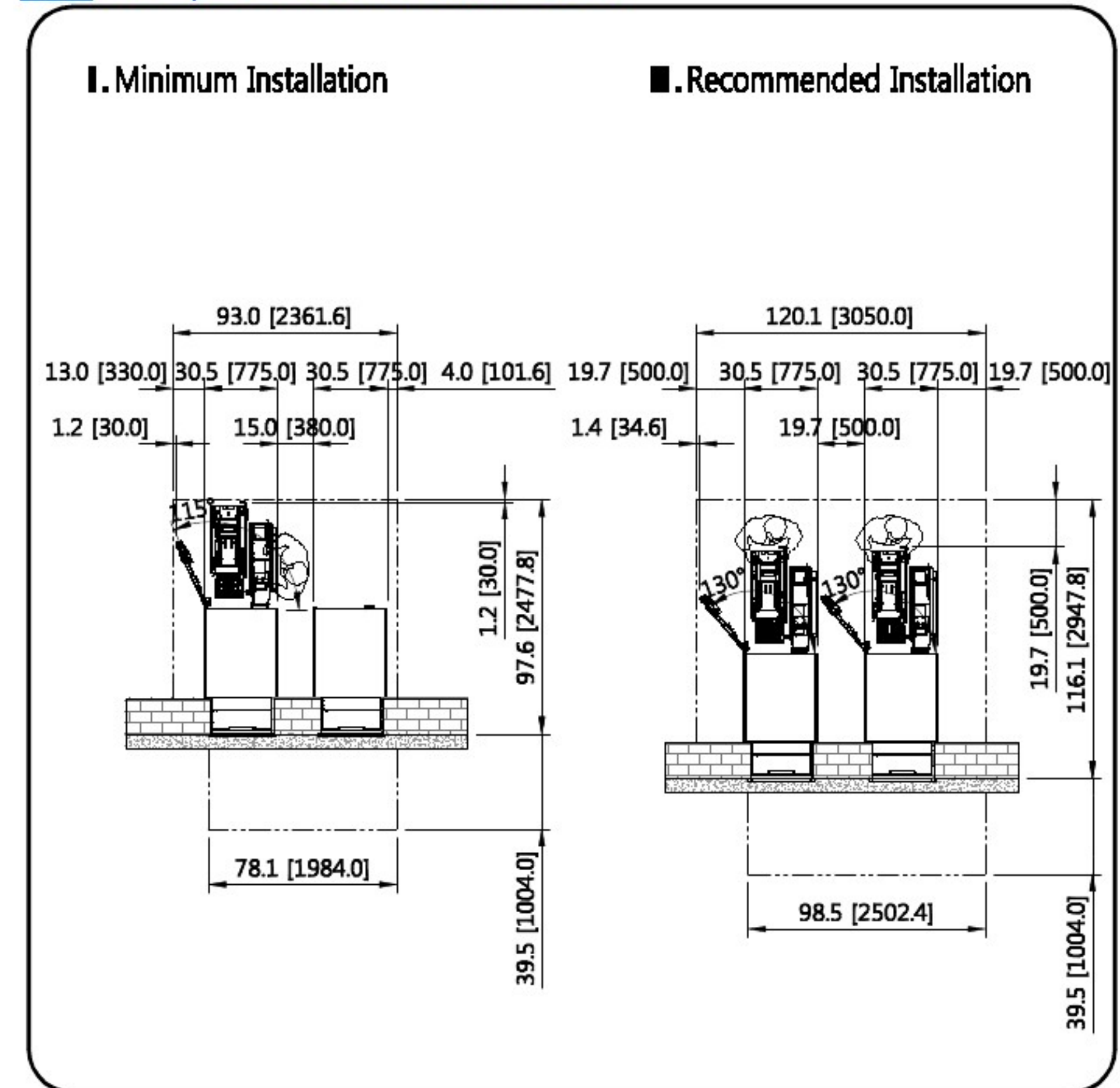
8 Side by Side installation (10" Wall)



9 Side by Side installation (13" Wall)

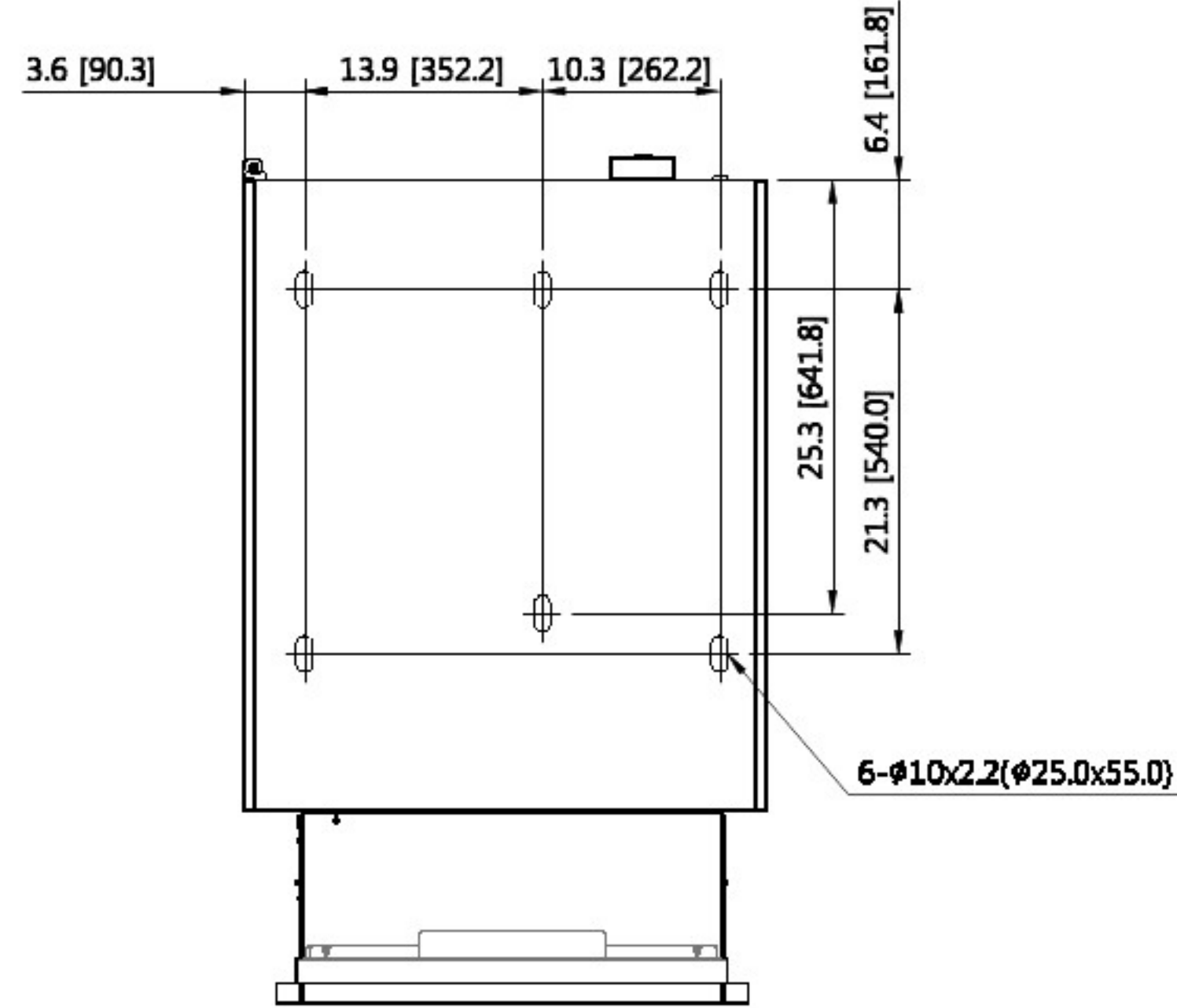


10 Side by Side installation (15" Wall)

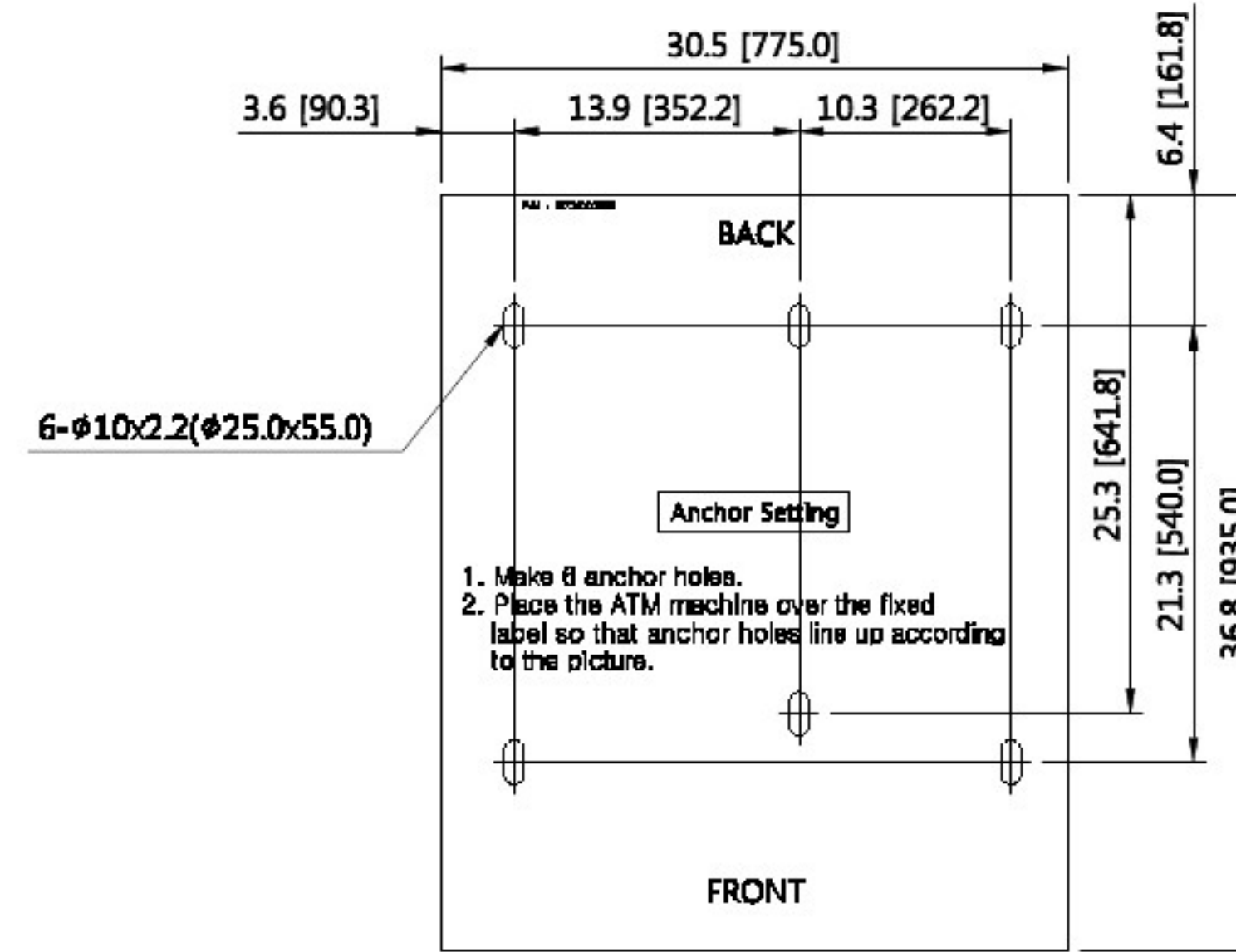


11 Installation Frame

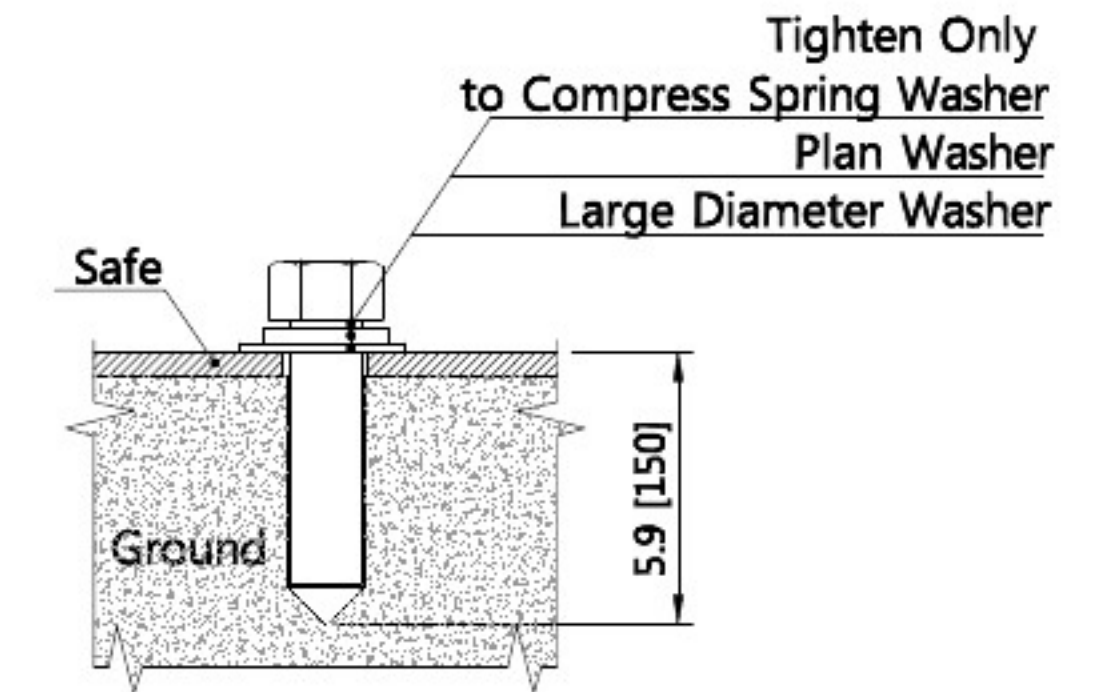
I. Bottom of ATM



II. Anchor Point



III. Anchor Detail



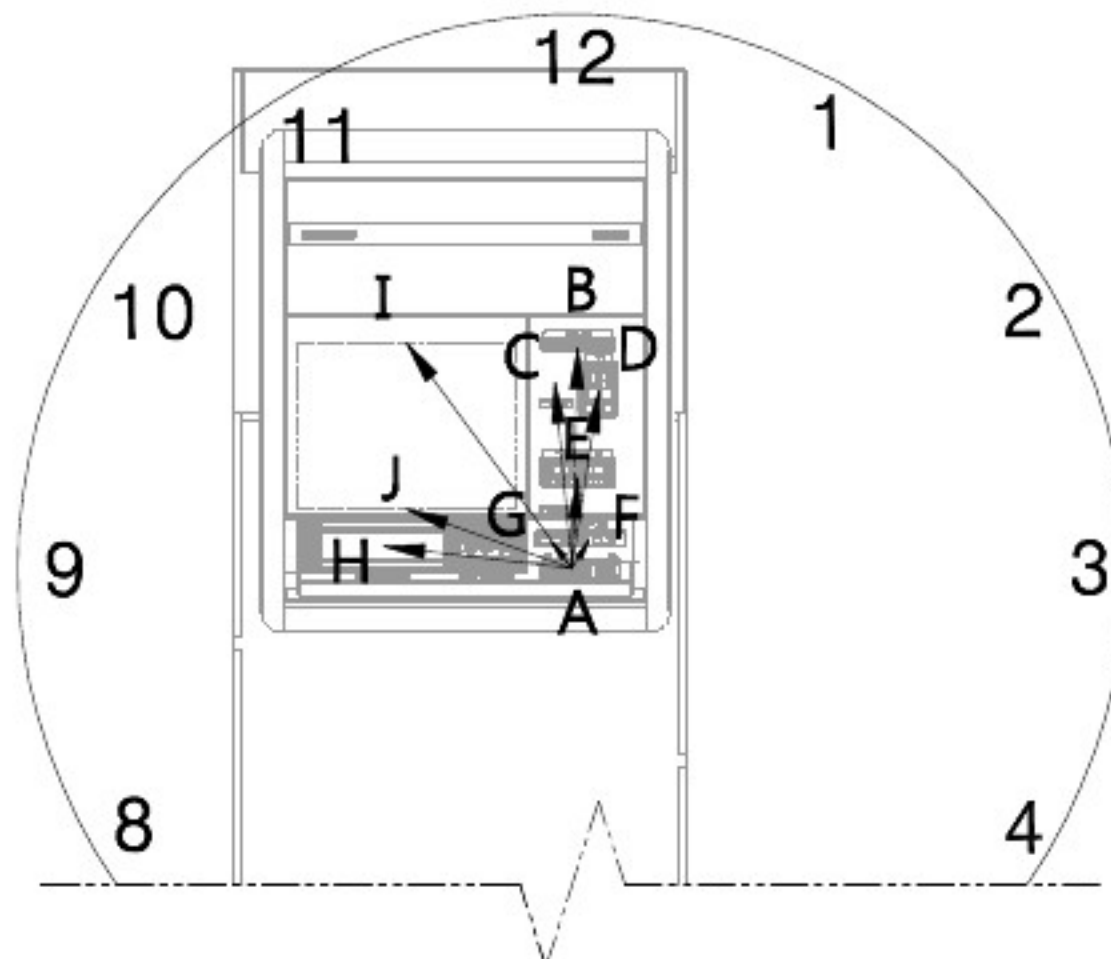
Bolts

- Type-either resin anchor or shield anchor bolts
- Size-5/8 in.(M16)
- Minimum Length-5.9 in.(150mm)
- Strength-high tensile(minimum ISO property class 8.8)

Washers

- Type-flat,steel(as per DIN7349 or equivalent)
- Size-5/8 in.(M16)
- Outer diameter-no greater than 1.58 in.(40mm)
- Minimum thickness-0.2in.(6mm)

12 Access For Device



Device	Height (from base of ATM)	Depth(wall 10") (from front of ATM)	Depth(wall 13") (from front of ATM)	Depth(wall 15") (from front of ATM)	Distance from No.5 Key <3D Distance>	Clock Face Position (Relative to No.5Key)
A	Encrypting PIN Pad 25.6inch [651.2mm]	4.8inch [121.5mm]	7.8inch [197.7mm]	9.8inch [248.5mm]	0	0
B	Receipt Printer 40.5inch [1027.7mm]	9.5inch [241.8mm]	12.5inch [318.0mm]	14.5inch [368.8mm]	15.6inch [395.4mm]	12
C	NFC 38.2inch [970.1mm]	8.7inch [221.0mm]	11.7inch [297.2mm]	13.7inch [348.0mm]	13.2inch [335.5mm]	12
D	Card Reader 37.6inch [954.0mm]	7.0inch [177.8mm]	10.0inch [254.0mm]	12.0inch [304.8mm]	12.3inch [311.5mm]	12
E	Cash/Check Insert Module 31.9inch [809.5mm]	6.4inch [161.6mm]	9.4inch [237.8mm]	11.4inch [288.6mm]	6.8inch [173.7mm]	12
F	Earphone Jack 27.5inch [699.5mm]	6.2inch [157.4mm]	9.2inch [233.6mm]	11.2inch [284.4mm]	2.6inch [66.7mm]	1
G	BARCODE 27.5inch [697.9mm]	6.2inch [158.0mm]	9.2inch [234.2mm]	11.2inch [285.0mm]	2.7inch [69.4mm]	11
H	Bill Recycling Module 27.1inch [688.7mm]	5.7inch [144.5mm]	8.7inch [220.7mm]	10.7inch [271.5mm]	12.8inch [326.1mm]	9
I	Screen Top 40.8inch [1035.8mm]	9.6inch [245.0mm]	12.6inch [321.2mm]	14.6inch [372.0mm]	19.4inch [493.2mm]	11
J	Screen Bottom 29.6inch [751.9mm]	5.6inch [141.6mm]	8.6inch [217.8mm]	10.6inch [268.6mm]	11.6inch [301.1mm]	10

13 Power Requirements

I. The power for the site

- 100~127Vac(±10%), at 50/60(±3)Hz, Single-phase

II. Power Consumption

- Idle
HEATER OFF : 204 W
HEATER ON : 496 W
- Transaction (Max)
HEATER OFF : 346 W
HEATER ON : 610 W

III. Thermal Output

- Idle
HEATER OFF : 696.1 BTU/hr
HEATER ON : 1692.4 BTU/hr
- Transaction (Max)
HEATER OFF : 1180.6 BTU/hr
HEATER ON : 2081.4 BTU/hr

IV. Environmental Conditions:

- Temperature: 32°F - 104°F (0°C ~ 40°C)
- Humidity 25% - 85%

"Note 1: MX8300T ATM must have a dedicated 20A service"

The power use depends on the number and type of devices present in the recycler/dispenser and the type of transaction the recycler/dispenser is performing

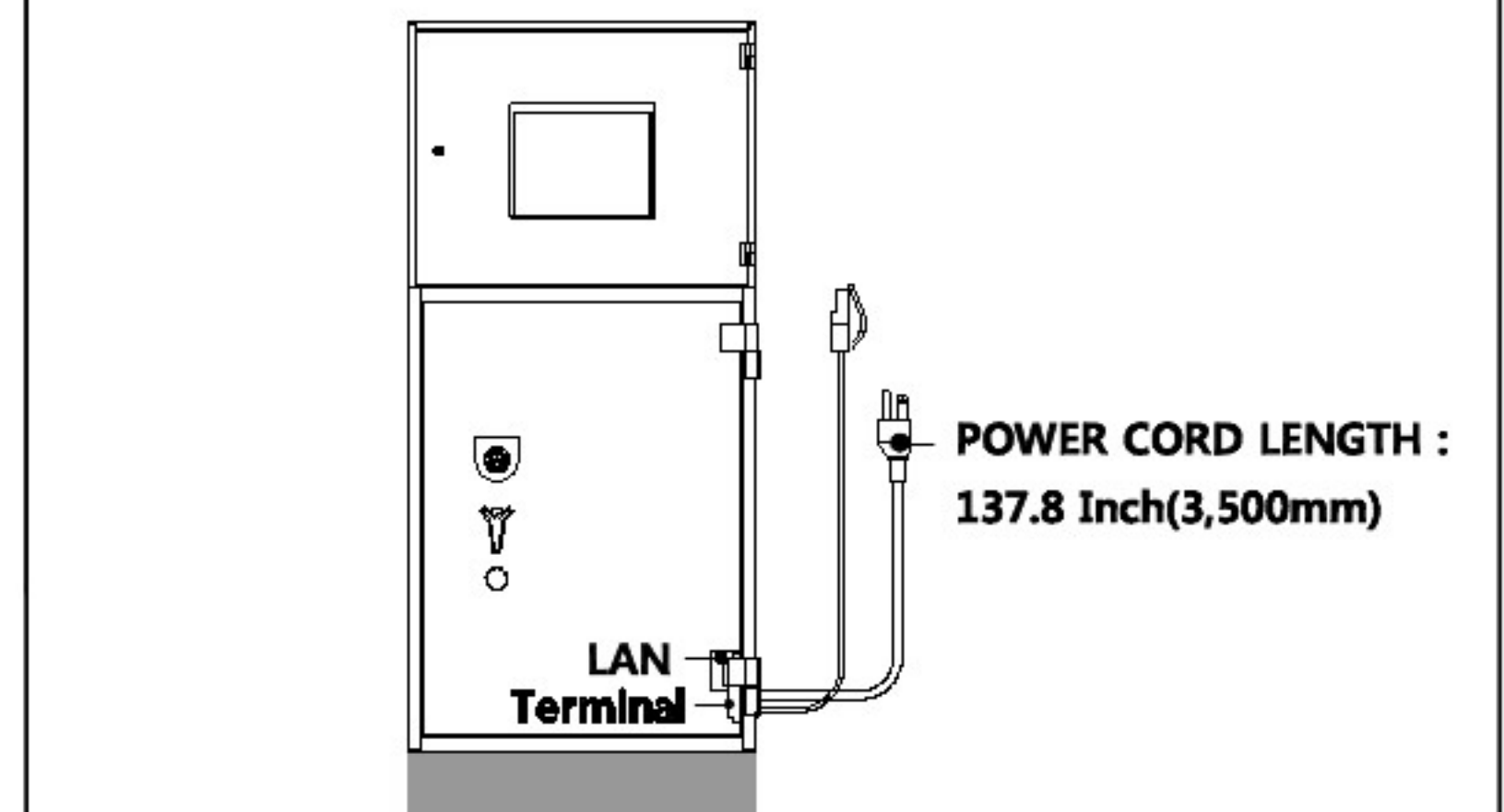
14 Installation Guide

PHYSICAL SECURITY

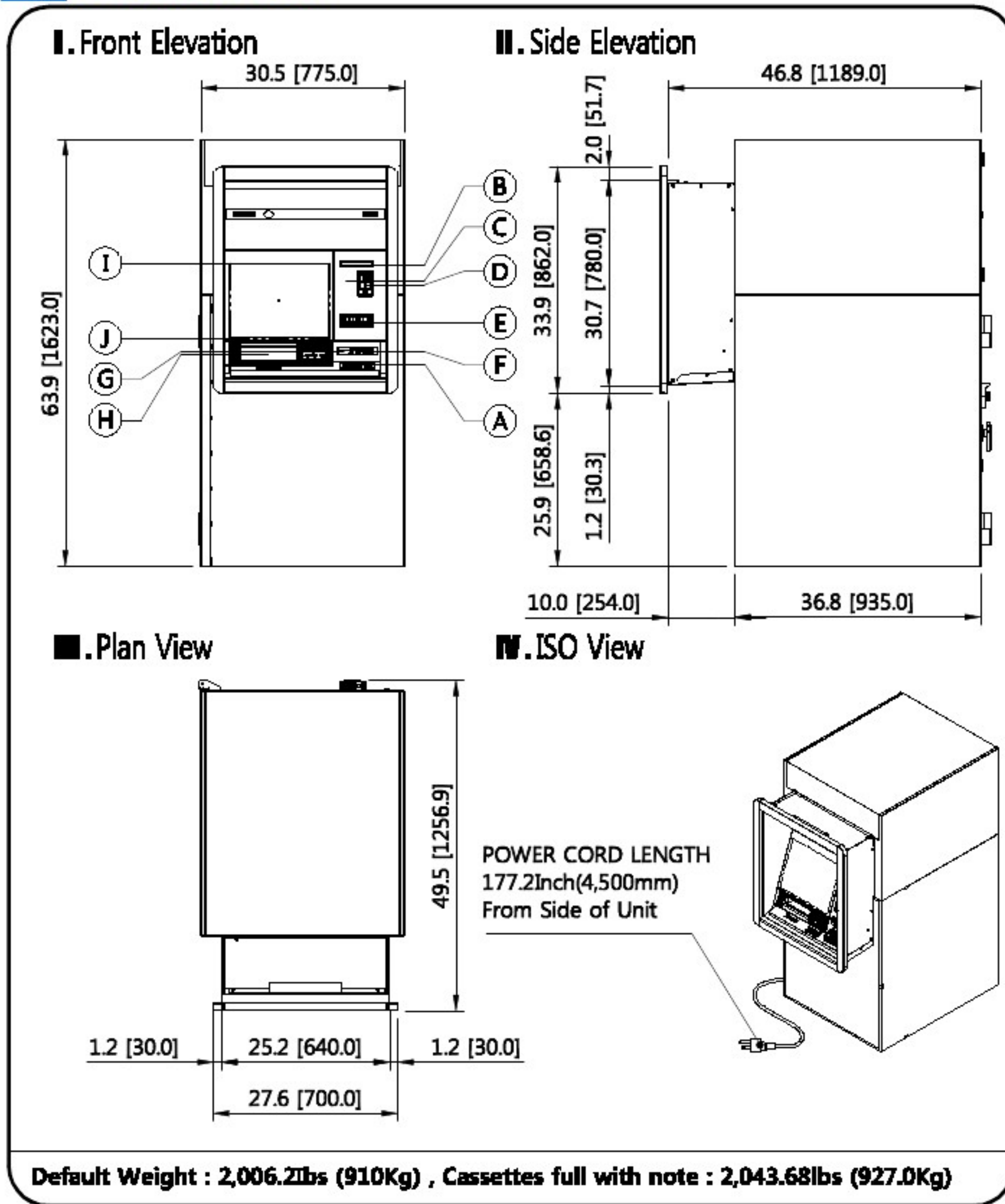
THE SECURITY SAFE MEETS THE ATTACK TEST PER UL 291. THE SAFE DOOR HAS A POSITIVE RELOCKING FEATURE. THE SAFE DOOR SHOULD BE CONTROLLED BY A MINIMUM OF A GROUP 2M UL LISTED COMBINATION LOCK WITH OR WITHOUT KEYLOCKING DIAL CAPABILITY OR OPTIONAL ELECTRONIC LOCK.

ALARM PROTECTION

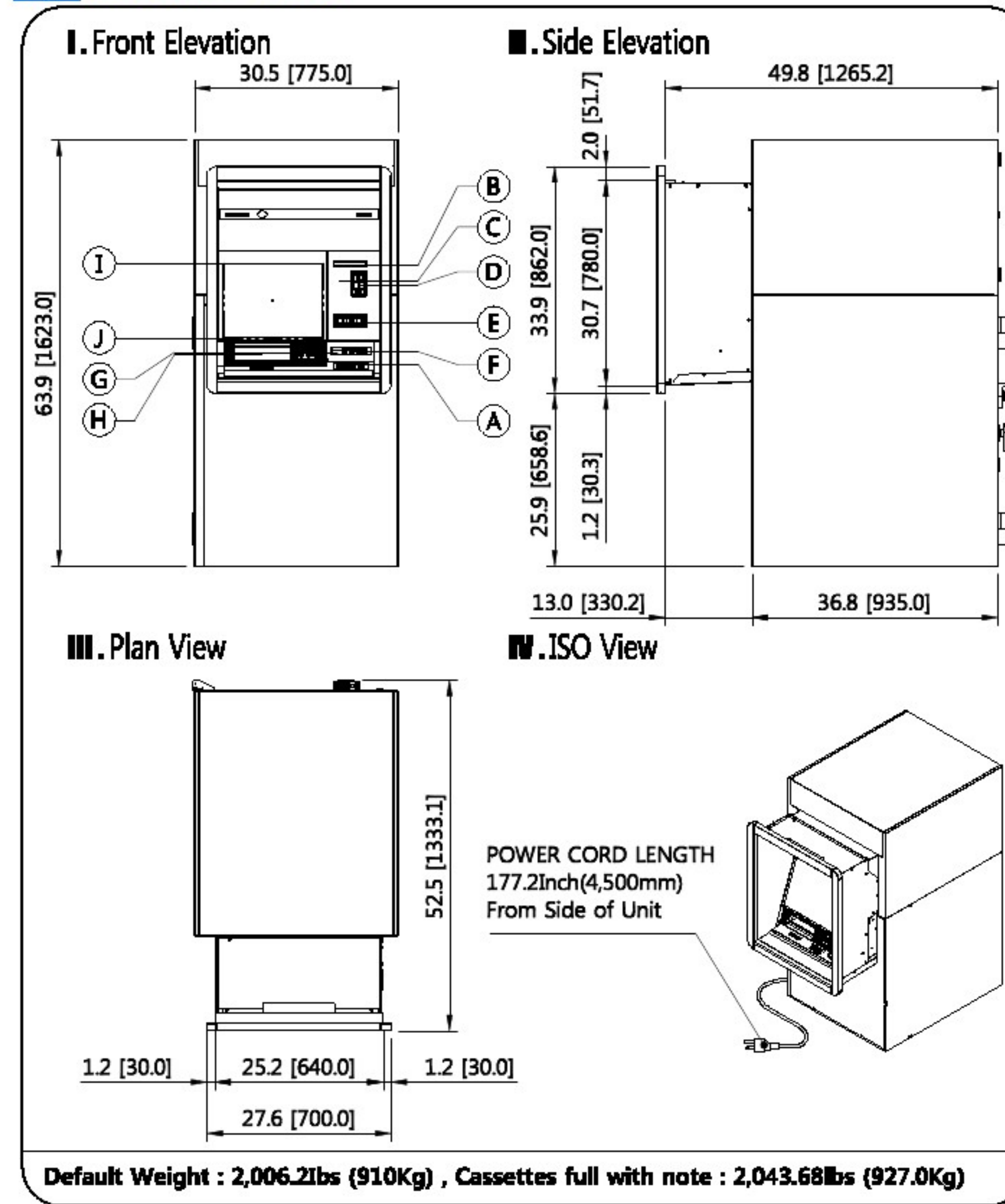
THE UL-LISTED SAFE IS EQUIPPED WITH A BASIC ALARM SENSOR. IT IS INCLUDED SAFE DOOR OPEN SWITCH, BASIC ALARM & HEAT SENSOR. IF INSTALL SHUNTING LOCK WITH SAFE DOOR, IT IS AVAILABLE SHUNTING ALARM SWITCH.



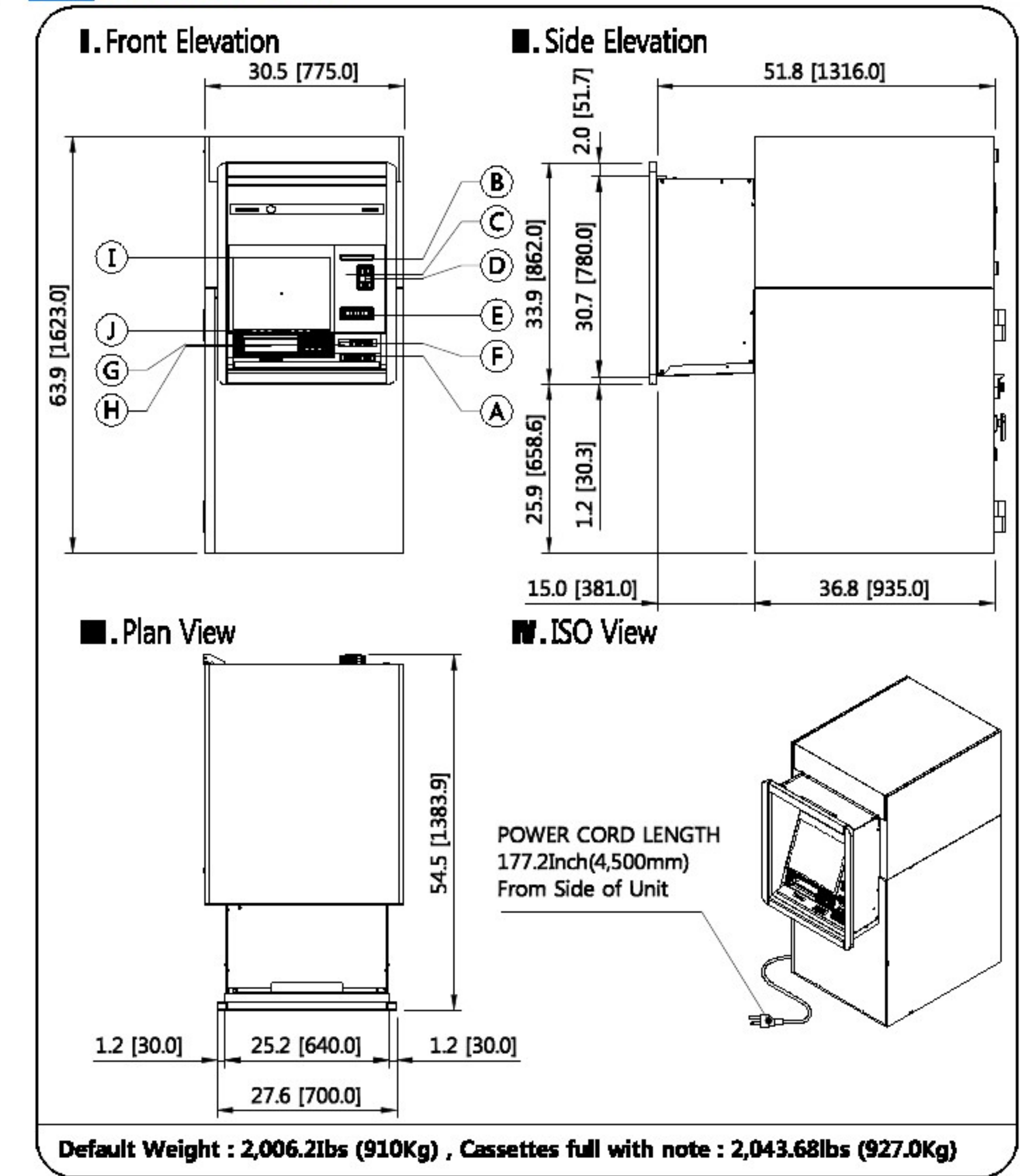
1 Exterior (10" Wall)



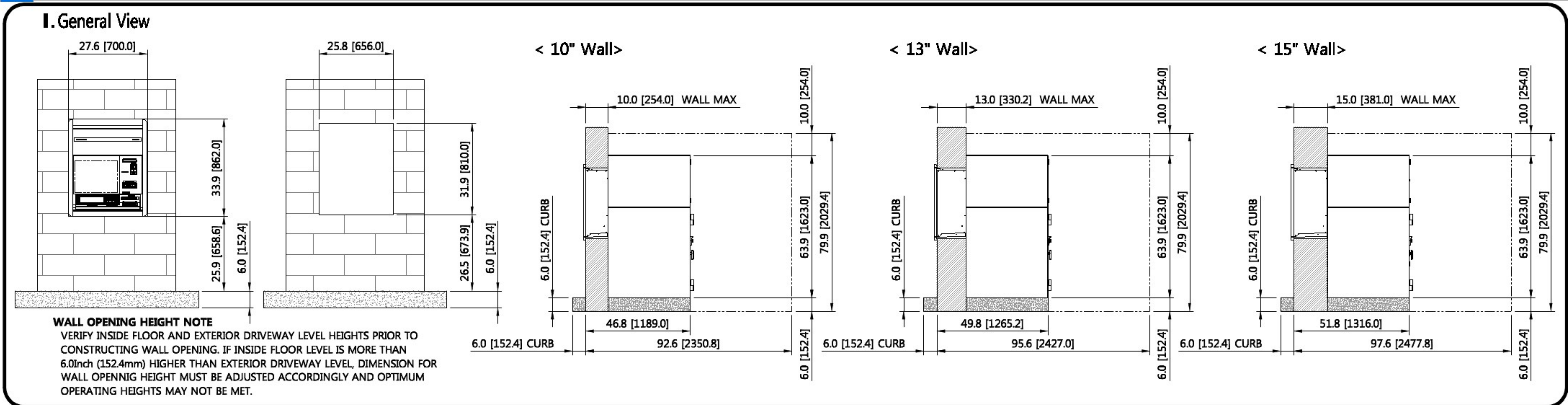
2 Exterior (13" Wall)



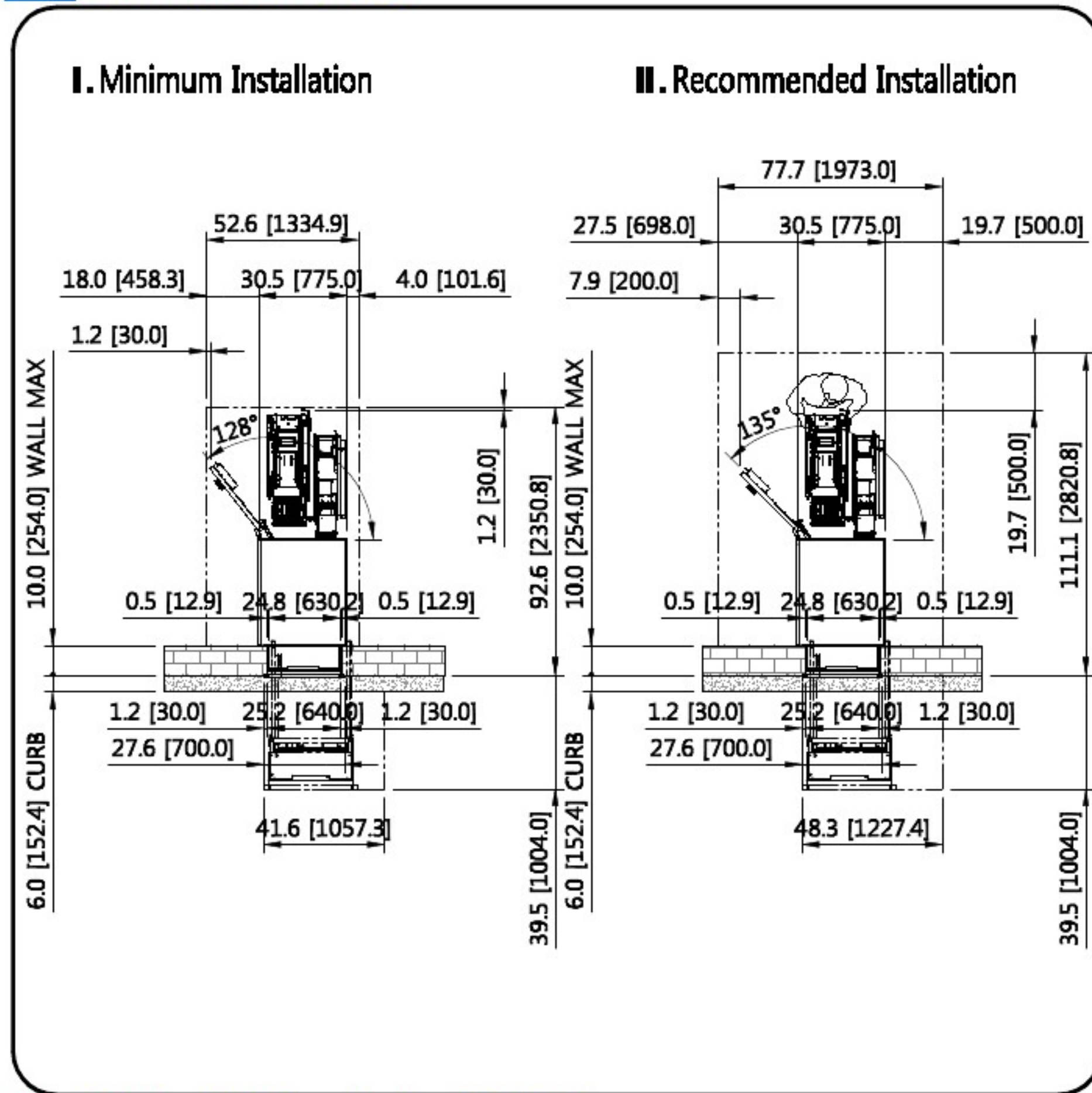
3 Exterior (15" Wall)



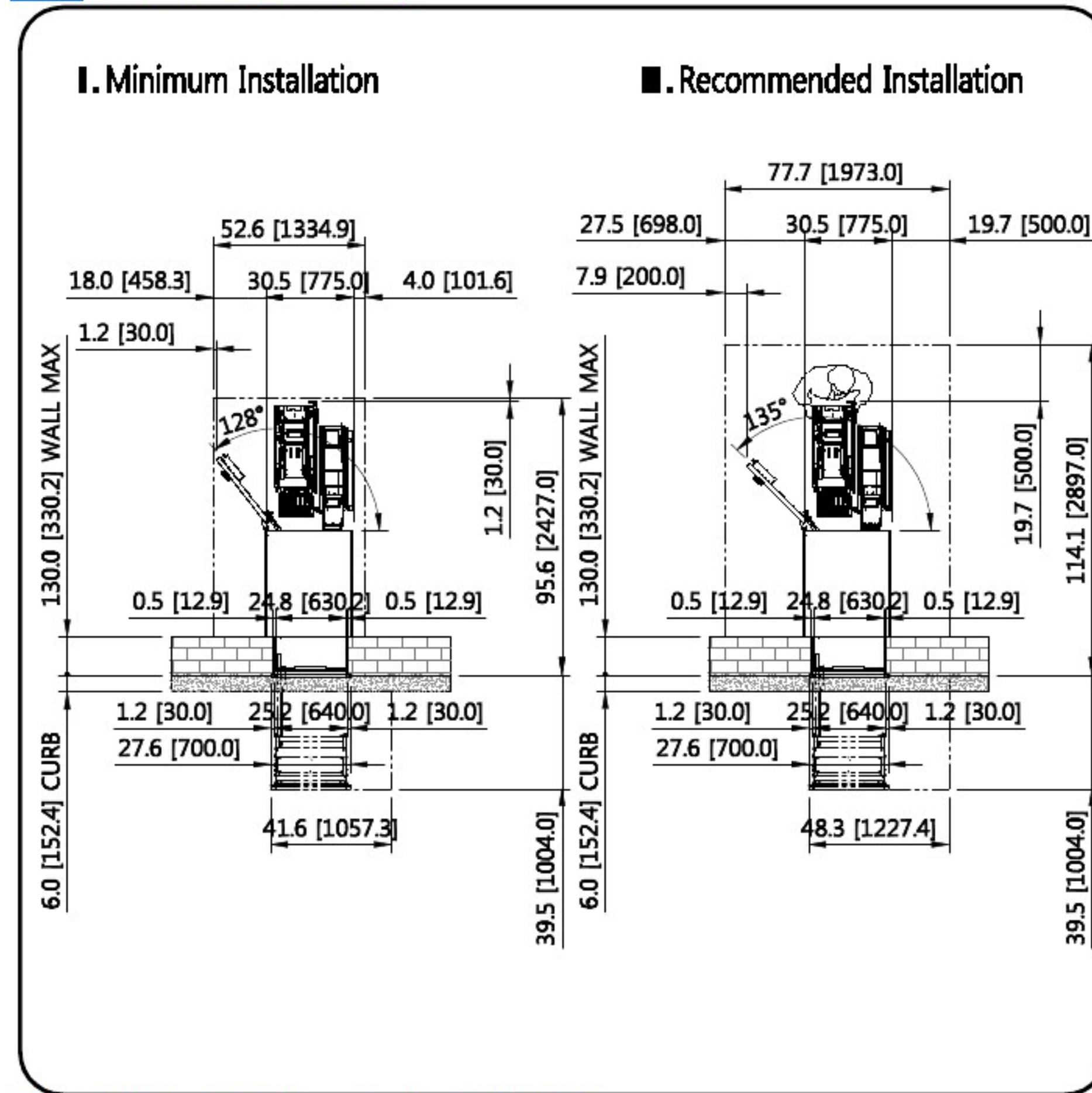
4 Service Area



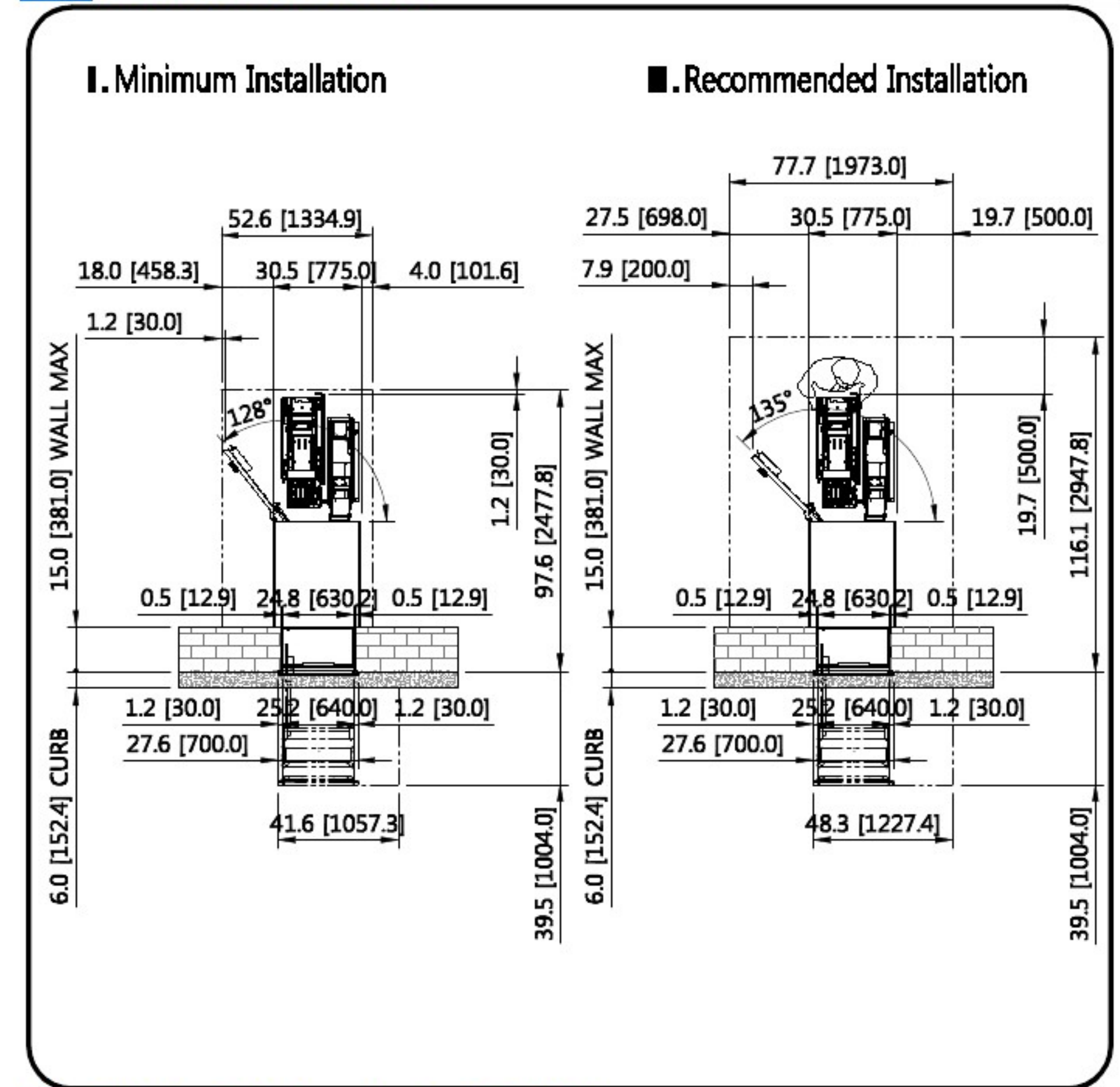
5 Installation (10" Wall)



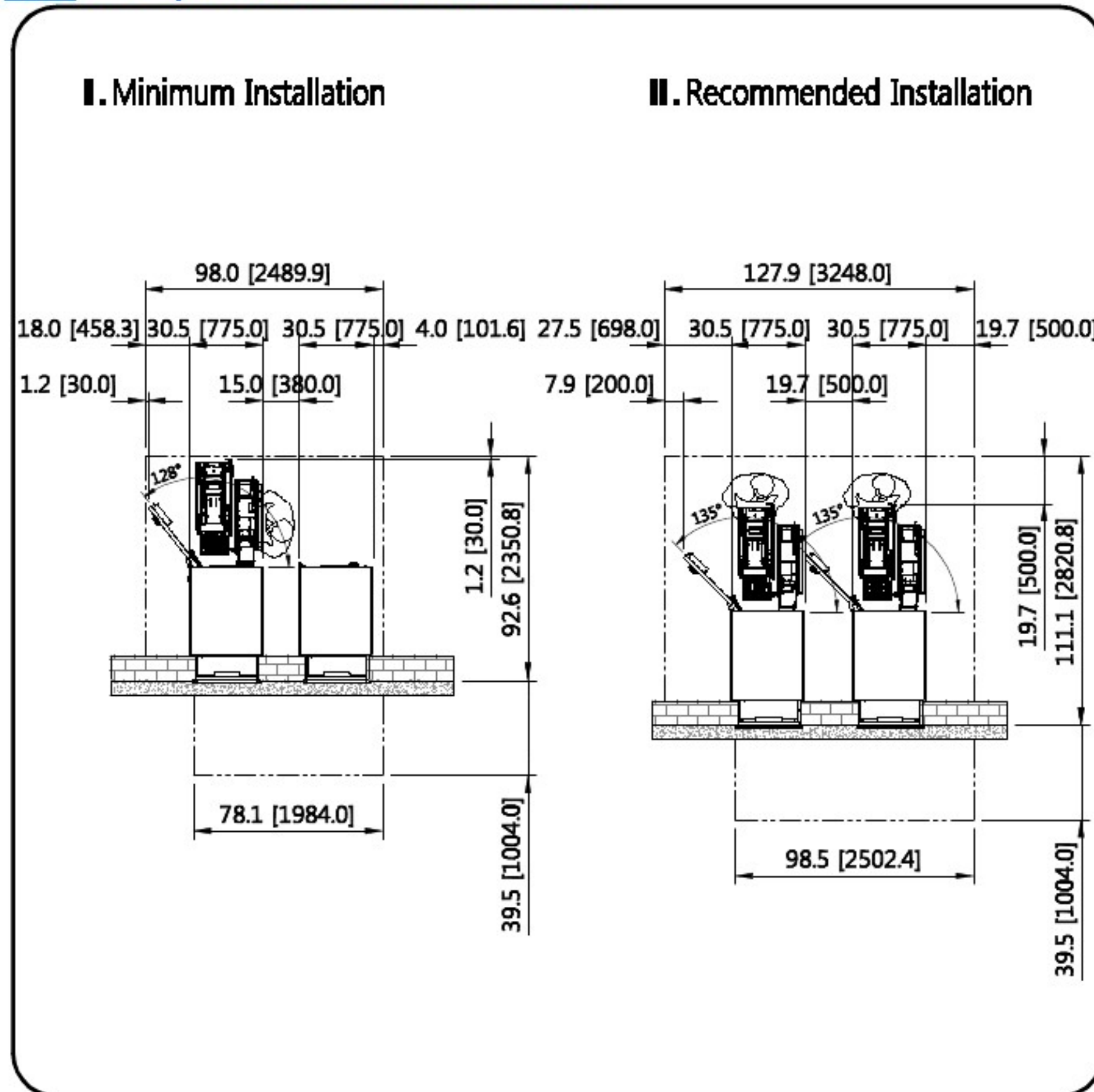
6 Installation (13" Wall)



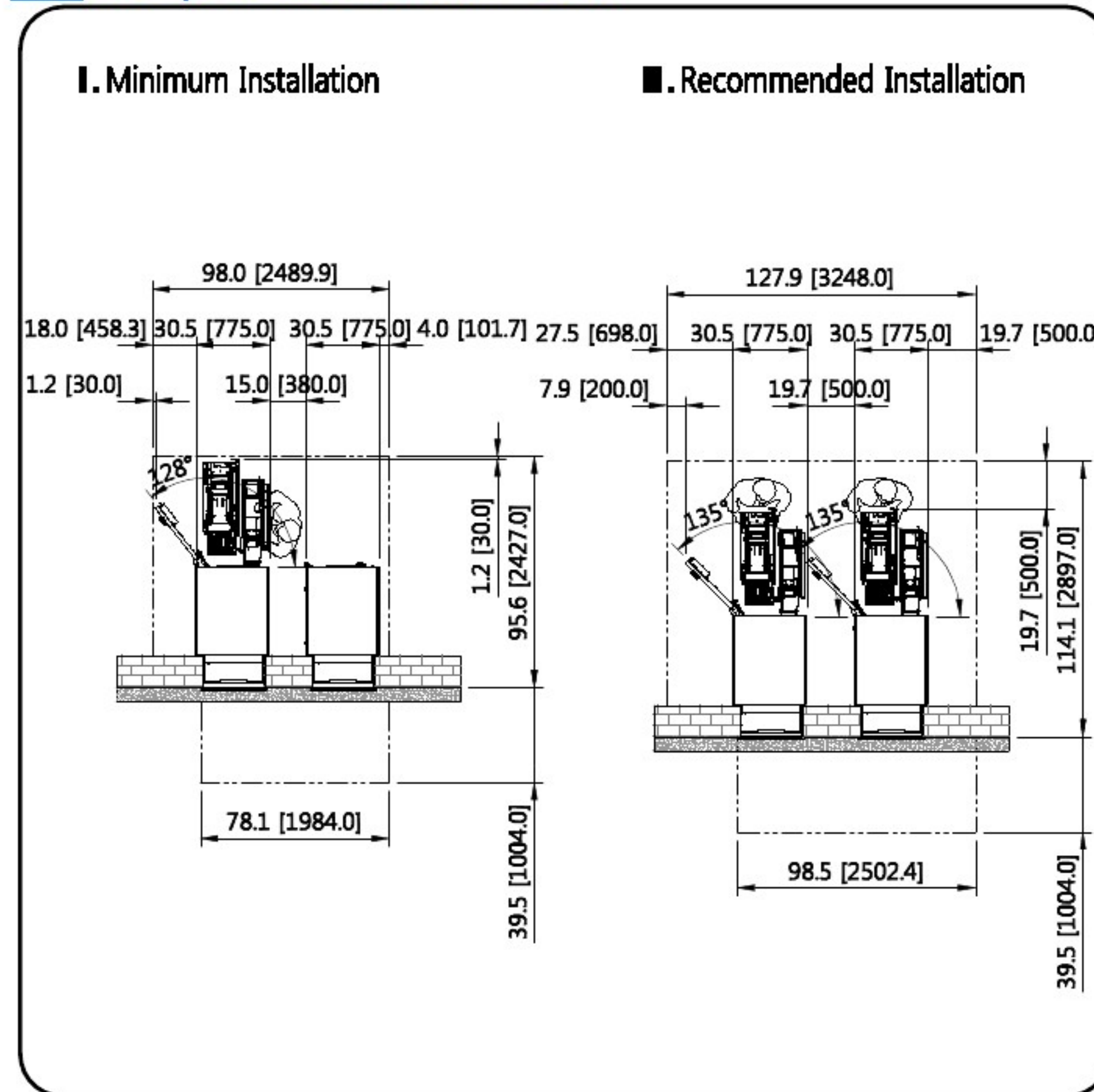
7 Installation (15" Wall)



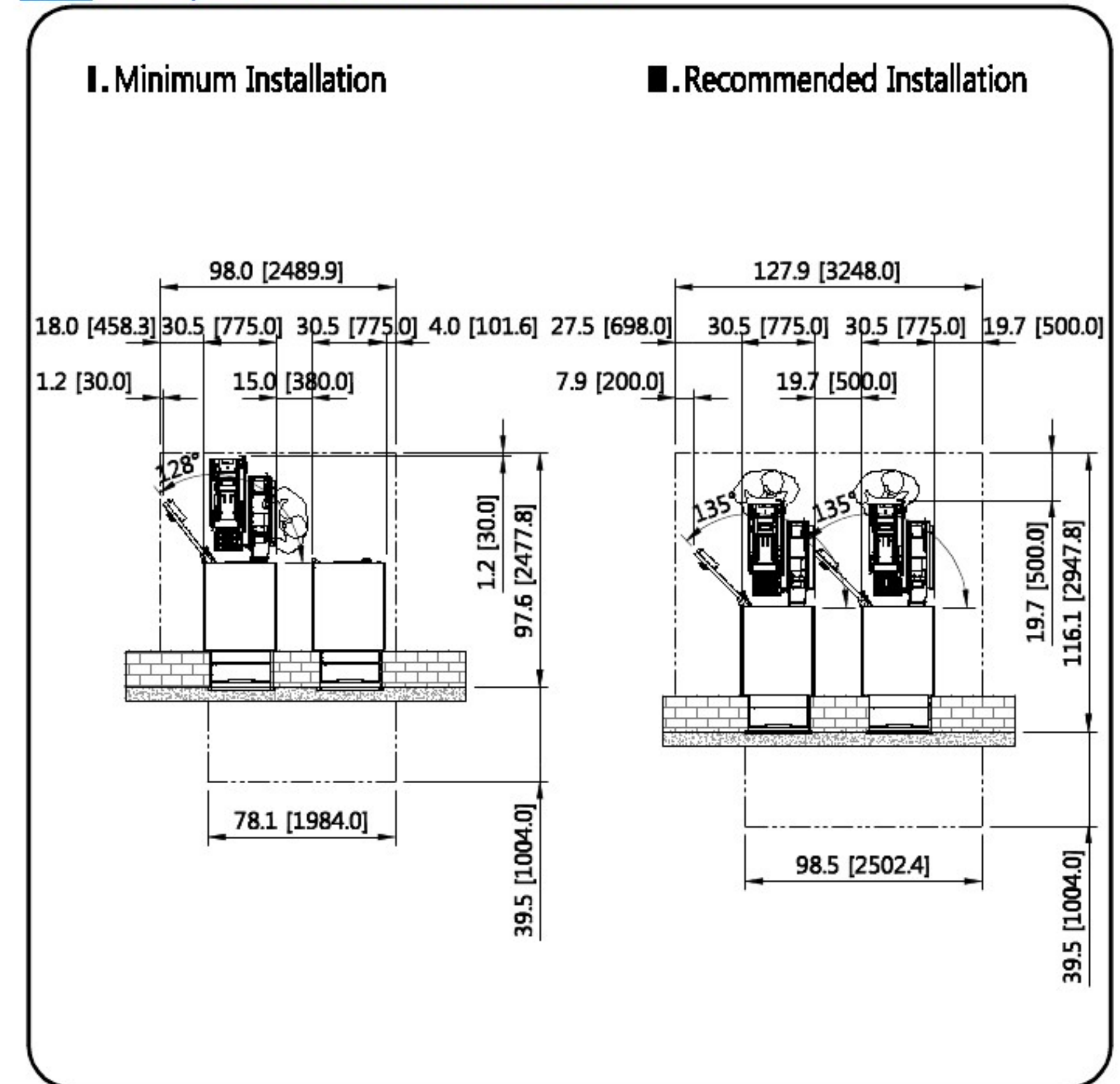
8 Side by Side installation (10" Wall)



9 Side by Side installation (13" Wall)

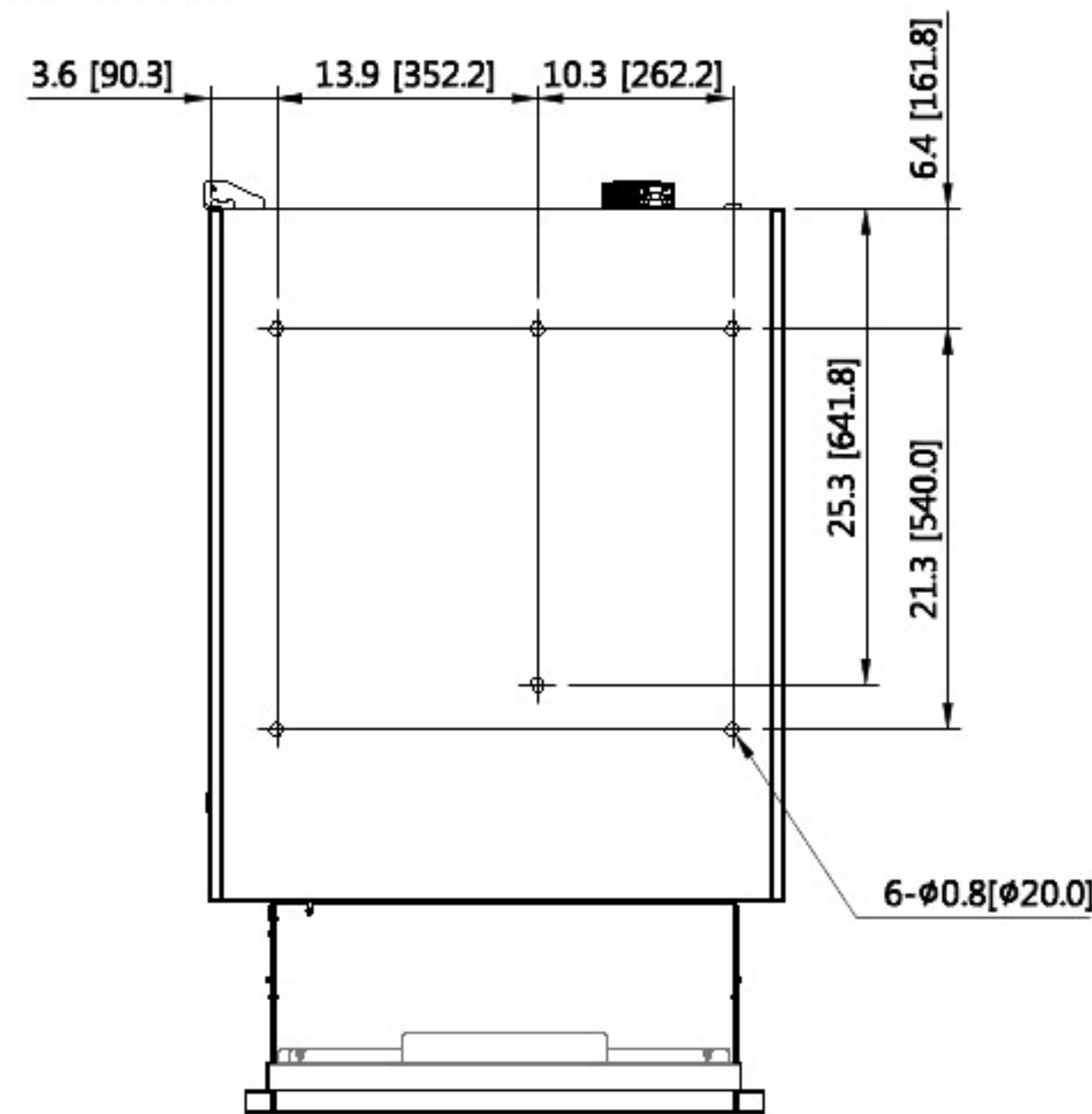


10 Side by Side installation (15" Wall)

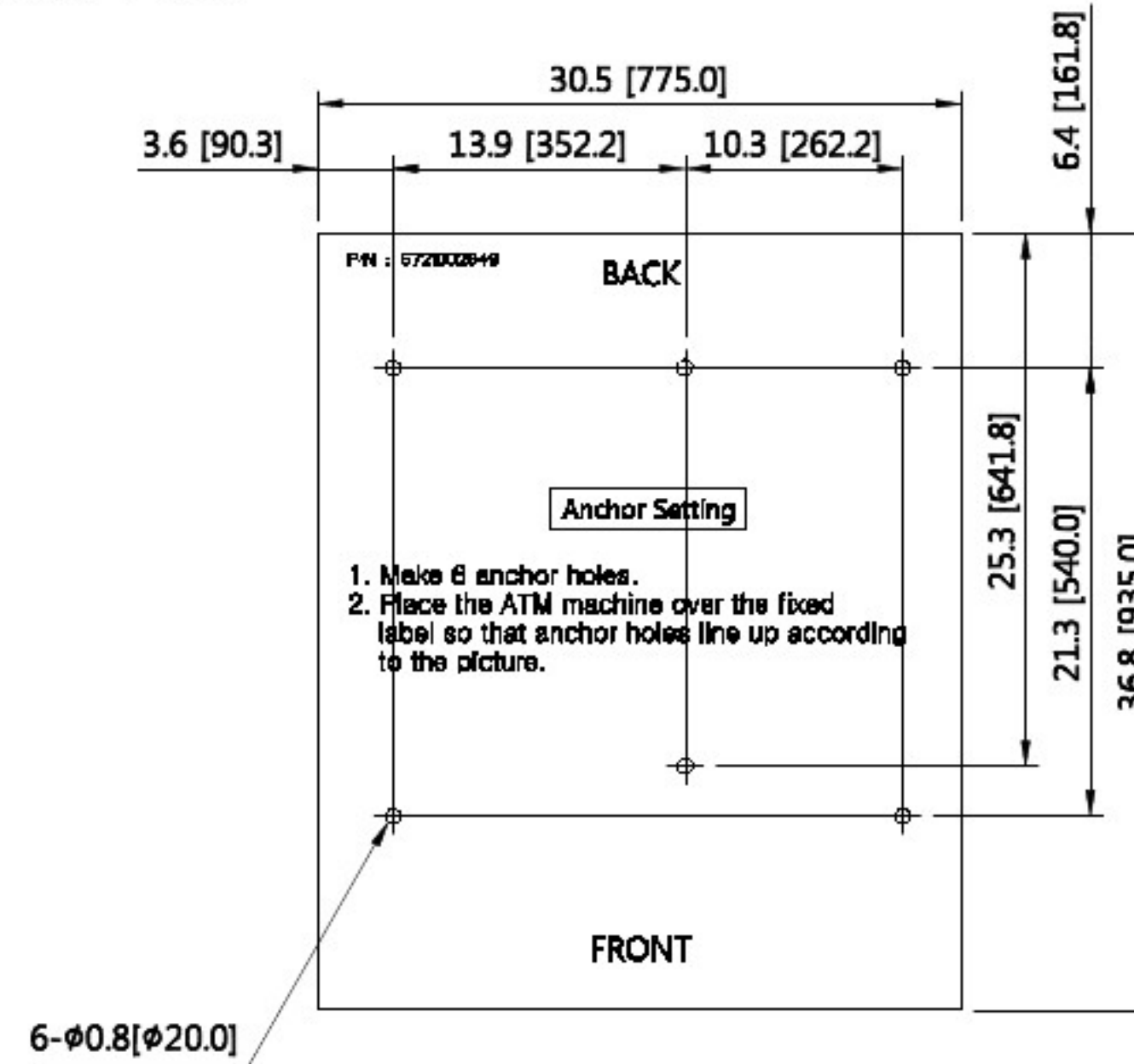


11 Installation Frame

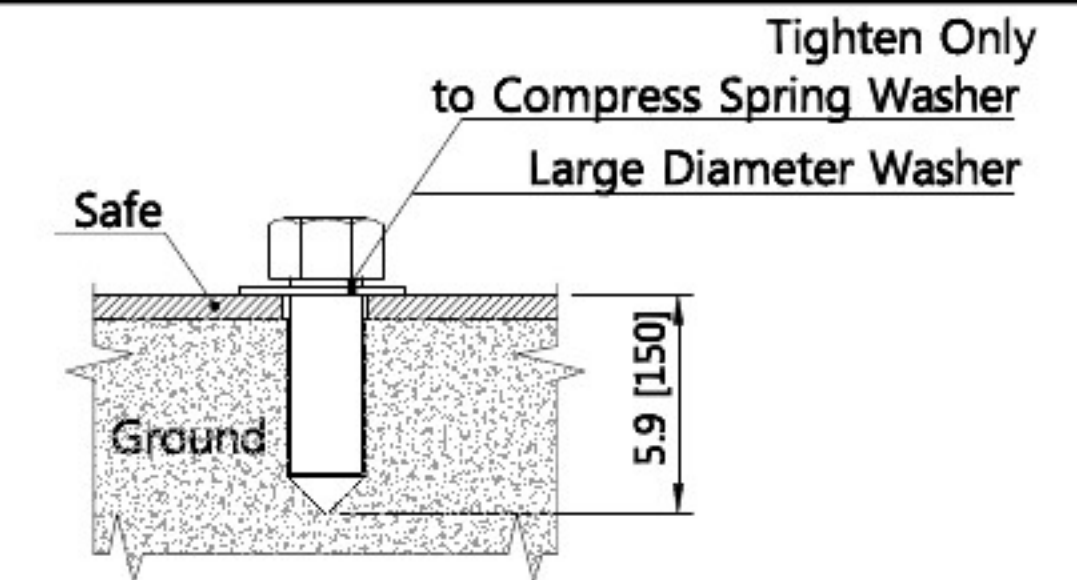
I. Bottom of ATM



II. Anchor Point



III. Anchor Detail



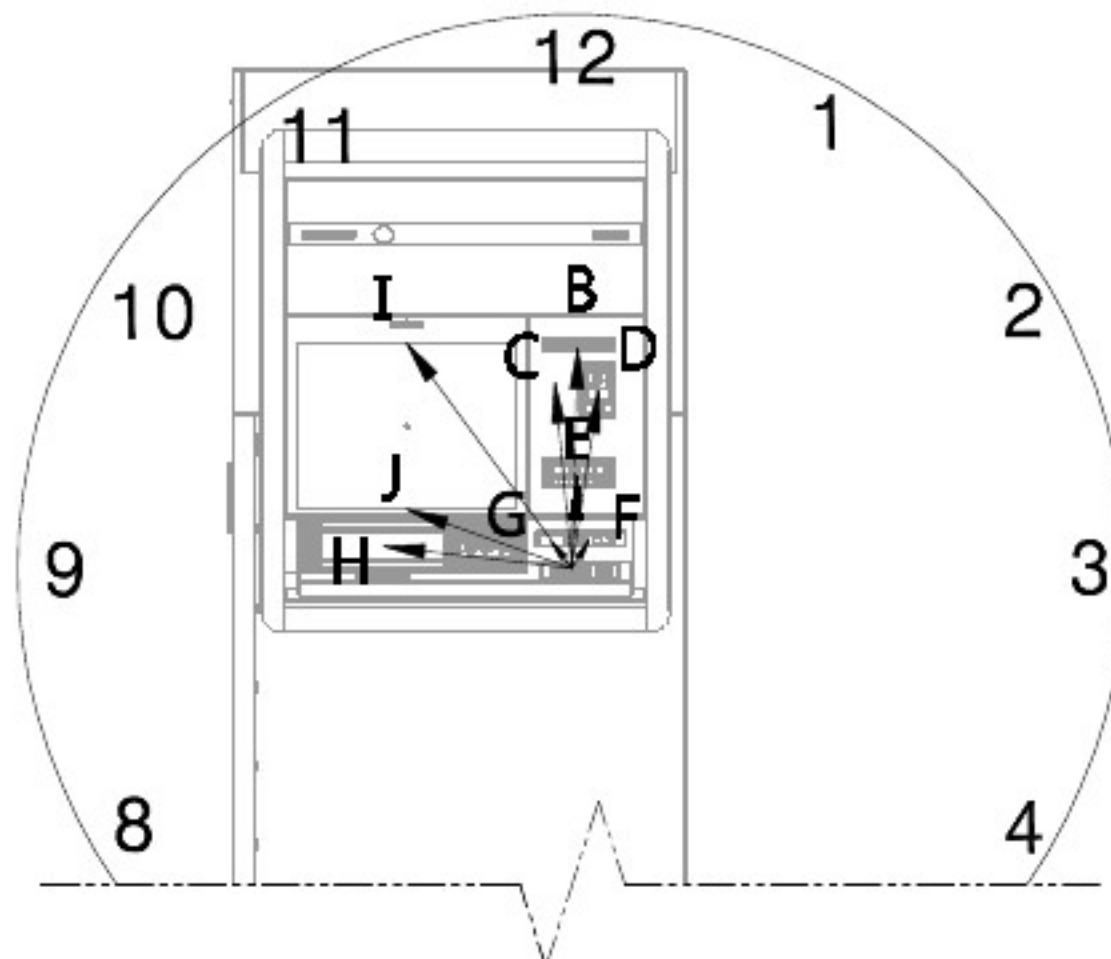
Bolts

- Type-steel 2ea(back direction), sus 304 2ea(front direction)
- Size-5/8 in.(M16)
- Minimum Length-5.9 in.(150mm)
- Strength-high tensile(minimum ISO property class 8.8)
- The screw thread diameter of the anchor should be more than 0.67 in.(17.0mm)

Washers

- Type-steel 2ea(as per DIN7349 or equivalent), sus 304 2ea
- Size-5/8 in.(M16)
- Outer diameter-no greater than 1.58 in.(40mm)
- Minimum thickness-0.16 in.(4mm)

12 Access For Device



Device	Height (from base of ATM)	Depth(wall 10") (from front of ATM)	Depth(wall 13") (from front of ATM)	Depth(wall 15") (from front of ATM)	Distance from No.5 Key <3D Distance>	Clock Face Position (Relative to No.5Key)
A Encrypting PIN Pad	30.2inch [768.2mm]	4.8inch [121.5mm]	7.8inch [197.7mm]	9.8inch [248.5mm]	0	0
B Receipt Printer	45.1inch [1144.7mm]	9.5inch [241.8mm]	12.5inch [318.0mm]	14.5inch [368.8mm]	15.6inch [395.4mm]	12
C NFC	42.8inch [1087.1mm]	8.7inch [221.0mm]	11.7inch [297.2mm]	13.7inch [348.0mm]	13.2inch [335.5mm]	12
D Card Reader	42.2inch [1071.0mm]	7.0inch [177.8mm]	10.0inch [254.0mm]	12.0inch [304.8mm]	12.3inch [311.5mm]	12
E Cash/Check Insert Module	36.5inch [926.5mm]	6.4inch [161.6mm]	9.4inch [237.8mm]	11.4inch [288.6mm]	6.8inch [173.7mm]	12
F Earphone Jack	32.1inch [816.5mm]	6.2inch [157.4mm]	9.2inch [233.6mm]	11.2inch [284.4mm]	2.6inch [66.7mm]	1
G BARCODE	32.1inch [814.9mm]	6.2inch [158.0mm]	9.2inch [234.2mm]	11.2inch [285.0mm]	2.7inch [69.4mm]	11
H Bill Recycling Module	31.7inch [805.7mm]	5.7inch [144.5mm]	8.7inch [220.7mm]	10.7inch [271.5mm]	12.8inch [326.1mm]	9
I Screen Top	45.4inch [1152.8mm]	9.6inch [245.0mm]	12.6inch [321.2mm]	14.6inch [372.0mm]	19.4inch [493.2mm]	11
J Screen Bottom	34.2inch [868.9mm]	5.6inch [141.6mm]	8.6inch [217.8mm]	10.6inch [268.6mm]	11.6inch [301.1mm]	10

13 Power Requirements

I. The power for the site

- 100~127Vac(±10%), at 50/60(±3)Hz, Single-phase

II. Power Consumption

- Idle HEATER OFF : 204 W HEATER ON : 496 W
- Transaction (Max) HEATER OFF : 346 W HEATER ON : 610 W

III. Thermal Output

- Idle HEATER OFF : 696.1 BTU/hr HEATER ON : 1692.4 BTU/hr
- Transaction (Max) HEATER OFF : 1180.6 BTU/hr HEATER ON : 2081.4 BTU/hr

IV. Environmental Conditions:

- Temperature: 32°F - 104°F (0°C ~ 40°C)
- Humidity 25% - 85%

"Note 1: MX8300T ATM must have a dedicated 20A service"

The power use depends on the number and type of devices present in the recycler/dispenser and the type of transaction the recycler/dispenser is performing

14 Installation Guide

PHYSICAL SECURITY

THE SECURITY SAFE MEETS THE ATTACK TEST PER UL 291. THE SAFE DOOR HAS A POSITIVE RELOCKING FEATURE. THE SAFE DOOR SHOULD BE CONTROLLED BY A MINIMUM OF A GROUP 2M UL LISTED COMBINATION LOCK WITH OR WITHOUT KEYLOCKING DIAL CAPABILITY OR OPTIONAL ELECTRONIC LOCK.

ALARM PROTECTION

THE UL-LISTED SAFE IS EQUIPPED WITH A BASIC ALARM SENSOR. IT IS INCLUDED SAFE DOOR OPEN SWITCH, BASIC ALARM & HEAT SENSOR. IF INSTALL SHUNTING LOCK WITH SAFE DOOR, IT IS AVAILABLE SHUNTING ALARM SWITCH.

